



SERVICE BULLETIN 249

426 Industrial Boulevard • Kearneysville WV 25430-2776 • USA
 Telephone: +1 304 728 7056 • technicalinquiry@royalvendors.com
 Toll-free in North America: 1 800 931 9214 • Fax: +1 304 725 4016
 Canada: +1 905 738 5777 • Mexico: +52 55 5203 6887
 Europe: +49 2158 95 1000 • Australia: +61 2 9890 5433

Page: 1 of 3

Date: 03 Jan 2017

Revision: 02

SUBJECT: Installation of the RVV Lock Cover Kit

MODELS: RVV, RVV NG, RVV Gen II

Number of
People
Required



KIT NUMBER	KIT DESCRIPTION
356150	Lock Cover Kit RVV

TOOLS REQUIRED: Phillips screwdriver, utility knife, 11/32" (9 mm) nutdriver

ESTIMATED INSTALLATION TIME: 10 minutes

REASON FOR BULLETIN: Installing a lock cover helps to prevent vandalism and deter theft. This bulletin describes the proper procedure for installing a lock cover kit on the RVV and the RVV NG.



The following areas of this vender contain voltage which can cause serious injury or even death: the main power cord, supplying 115-230 VAC to the evaporator, EMI filter, and refrigeration system; the power line from the EMI filter to the ballast and transformer; and the ballast, which can produce upwards of 600 volts. Remove power from vender before working in any of these areas.

INSTALLATION INSTRUCTIONS:

1. Remove power to the vender by unplugging the vender's main power cord from the AC voltage source.
2. Remove the coin return lever assembly and the coin chute assembly. (See Figure 1.)
3. Remove the nuts that secure the T-handle, T-handle housing, and T-handle brace. (See Figure 2.)
4. Hold the lock cover assembly up to the security plate decal. Using the lock cover assembly as a template, mark the locations of the T-bolts that secure the T-handle housing. (See illustration and additional notes in Figure 3.)
5. With a utility knife, cut out the area around the heads of the T-bolts. Remove the T-bolts.
6. Install the lock cover assembly by inserting the carriage bolts (supplied in kit) through it. Secure them with the nuts that were removed in Step 3. Tighten the nuts.
7. Re-install the coin chute assembly and the coin return lever assembly that were removed in Step 2.
8. Restore power to the vender by plugging the vender's main power cord into the AC voltage source.

In an effort to provide our customers with the latest information on our equipment, Royal Vendors sends service bulletins to customers using the original ship-to address or e-mail addresses, if supplied by our customers. We also post all service bulletins on our website at www.royalvendors.com. If for any reason a vender is moved to another location or is sold to another customer other than to whom Royal Vendors originally sent the machine, it is the responsibility of the original purchaser of the vender to notify the appropriate personnel of the service bulletin.

ANY QUESTIONS??? CONTACT ROYAL VENDORS' CUSTOMER SERVICE DEPARTMENT
CALL TOLL FREE (800) 931-9214



SERVICE BULLETIN 249

426 Industrial Boulevard • Kearneysville WV 25430-2776 • USA
Telephone: +1 304 728 7056 • technicalinquiry@royalvendors.com
Toll-free in North America: 1 800 931 9214 • Fax: +1 304 725 4016
Canada: +1 905 738 5777 • Mexico: +52 55 5203 6887
Europe: +49 2158 95 1000 • Australia: +61 2 9890 5433

Page: 2 of 3

Date: 03 Jan 2017

Revision: 02

SUBJECT: Installation of the RVV Lock Cover Kit

MODELS: RVV, RVV NG, RVV Gen II

Figure 1

Coin chute assembly and
coin return lever assembly

Coin chute assembly

Coin return lever assembly

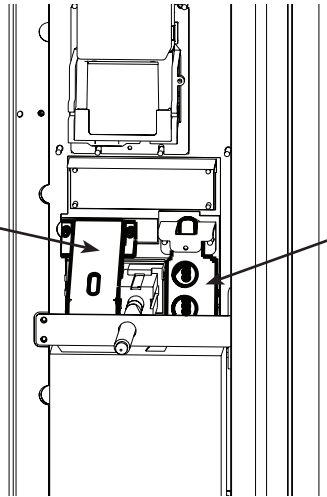
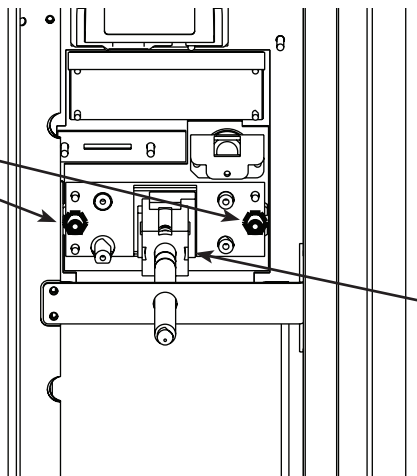


Figure 2

T-handle housing area

Remove these nuts

T-handle housing



ANY QUESTIONS??? CONTACT ROYAL VENDORS' CUSTOMER SERVICE DEPARTMENT
CALL TOLL FREE (800) 931-9214



SERVICE BULLETIN 249

426 Industrial Boulevard • Kearneysville WV 25430-2776 • USA
Telephone: +1 304 728 7056 • technicalinquiry@royalvendors.com
Toll-free in North America: 1 800 931 9214 • Fax: +1 304 725 4016
Canada: +1 905 738 5777 • Mexico: +52 55 5203 6887
Europe: +49 2158 95 1000 • Australia: +61 2 9890 5433

Page: 3 of 3

Date: 03 Jan 2017

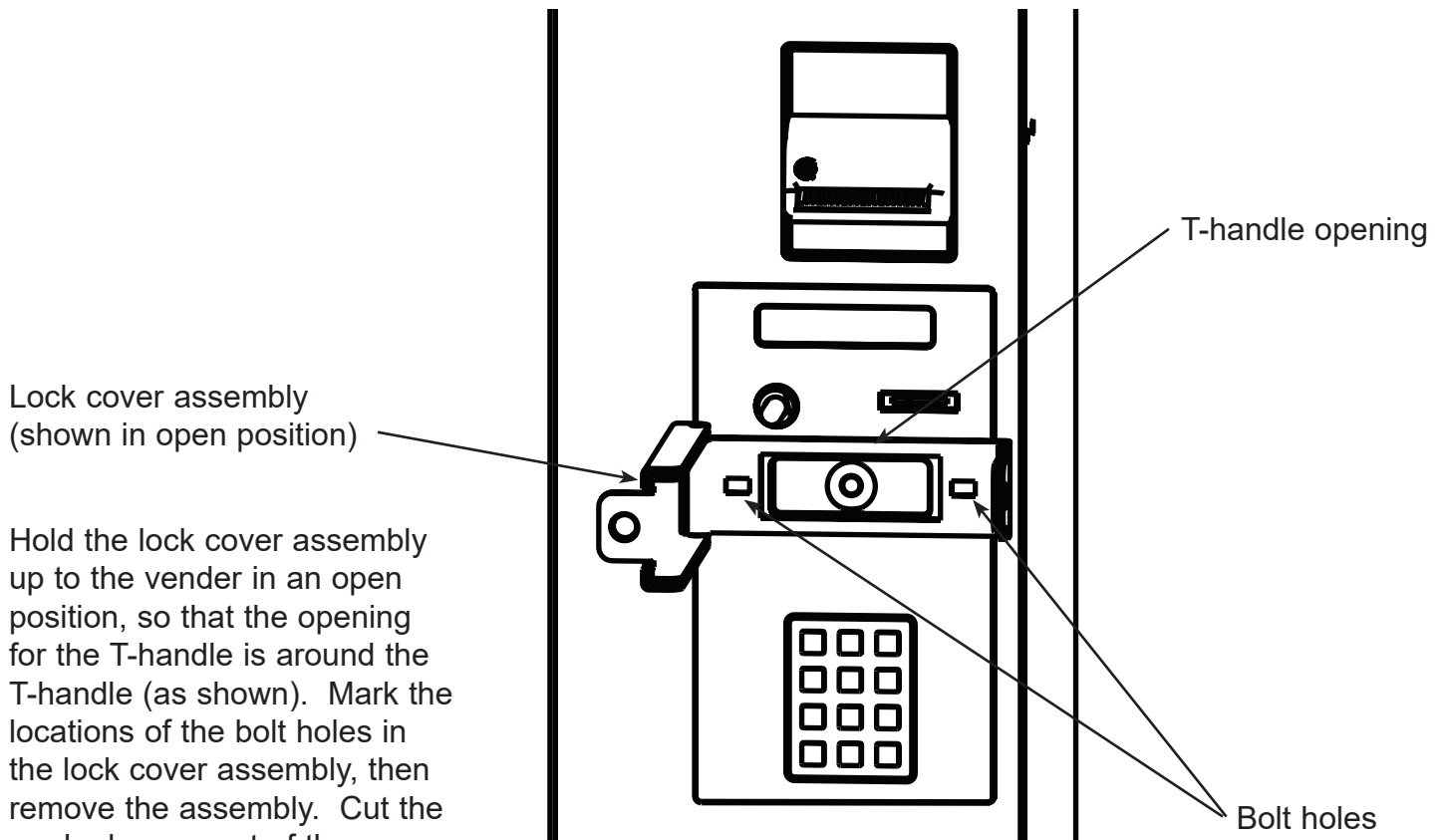
Revision: 02

SUBJECT: Installation of the RVV Lock Cover Kit

MODELS: RVV, RVV NG, RVV Gen II

Figure 3

Marking the locations of the existing T-bolts



Hold the lock cover assembly up to the vender in an open position, so that the opening for the T-handle is around the T-handle (as shown). Mark the locations of the bolt holes in the lock cover assembly, then remove the assembly. Cut the marked areas out of the security plate decal, to remove the existing T-bolts and to allow for the installation of the carriage bolts supplied in the kit.

ANY QUESTIONS??? CONTACT ROYAL VENDORS' CUSTOMER SERVICE DEPARTMENT
CALL TOLL FREE (800) 931-9214