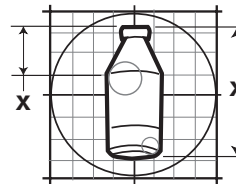




194 Package Vending Specification

426 Industrial Boulevard • Kearneysville WV 25430-2776 • USA
 Telephone: +1 304 728 7056 • technicalinquiry@royalvendors.com
 Toll-free in North America: 1 800 931 9214 • Fax: +1 304 725 4016
 Canada: +1 905 738 5777 • Mexico: +52 55 5203 6887
 Europe: +49 2158 95 1000 • Australia: +61 2 9890 5433



Page: 1 of 3

Date: 23 Jan 2017

Revision: 00

PRODUCT NAME: Bonaqua
BOTTLER / COMPANY: Coca-Cola Enterprises Norge AS
VOLUME: 400 mL
PACKAGE TYPE: PETE bottle
HEIGHT: 216.9 mm / 8.54 in.
DIAMETER: 61.6 mm / 2.43 in.
WEIGHT: 0.43 kg / 0.95 lbs.
COUNTRY OF ORIGIN: Norway

APPROVED VENDERS				
VENDER	RETAINERS		79" CAPACITY	
	Front	Rear	Front	Rear
GIII	See below		33	33

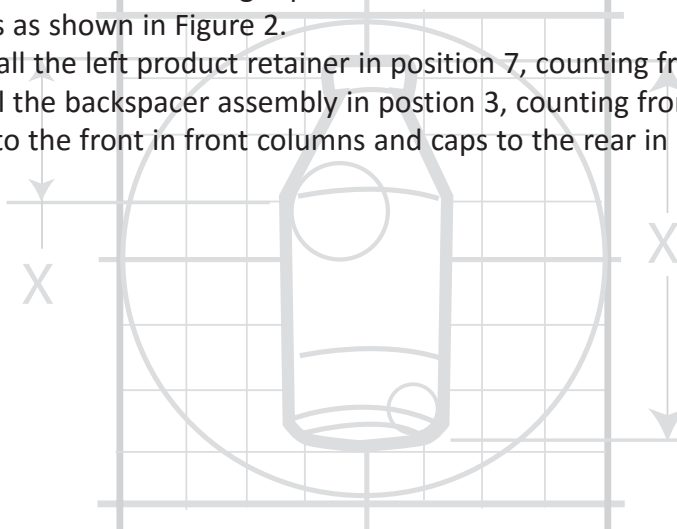


KITS / PARTS: ALL COLUMNS: Bonaqua Filler Kit (part number 211274).

INSTALLATION INSTRUCTIONS

Note: Before working on vender, always remove power by unplugging the vender's main power cord from the AC voltage source (outlet).

1. Remove all product from the columns that are to be converted.
2. Remove the existing spacers and product stops from all columns that are to be converted by pulling the product stop rods and removing the small parts.
3. Reinstall spacers and product stops in the order shown in Figure 1.
4. FRONT COLUMNS: Remove the left and right product retainers from the columns that are to be converted.
5. Install the column fillers as shown in Figure 2.
6. FRONT COLUMNS: Install the left product retainer in position 7, counting from the front.
 REAR COLUMNS: Install the backspacer assembly in position 3, counting from the rear.
7. Load bottles with caps to the front in front columns and caps to the rear in rear columns.

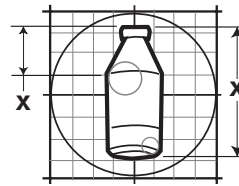


**ANY QUESTIONS? CONTACT ROYAL VENDORS' CUSTOMER SERVICE DEPARTMENT
 IN NORTH AMERICA, CALL TOLL FREE 1 800 931-9214**



194 Package Vending Specification

426 Industrial Boulevard • Kearneysville WV 25430-2776 • USA
Telephone: +1 304 728 7056 • technicalinquiry@royalvendors.com
Toll-free in North America: 1 800 931 9214 • Fax: +1 304 725 4016
Canada: +1 905 738 5777 • Mexico: +52 55 5203 6887
Europe: +49 2158 95 1000 • Australia: +61 2 9890 5433

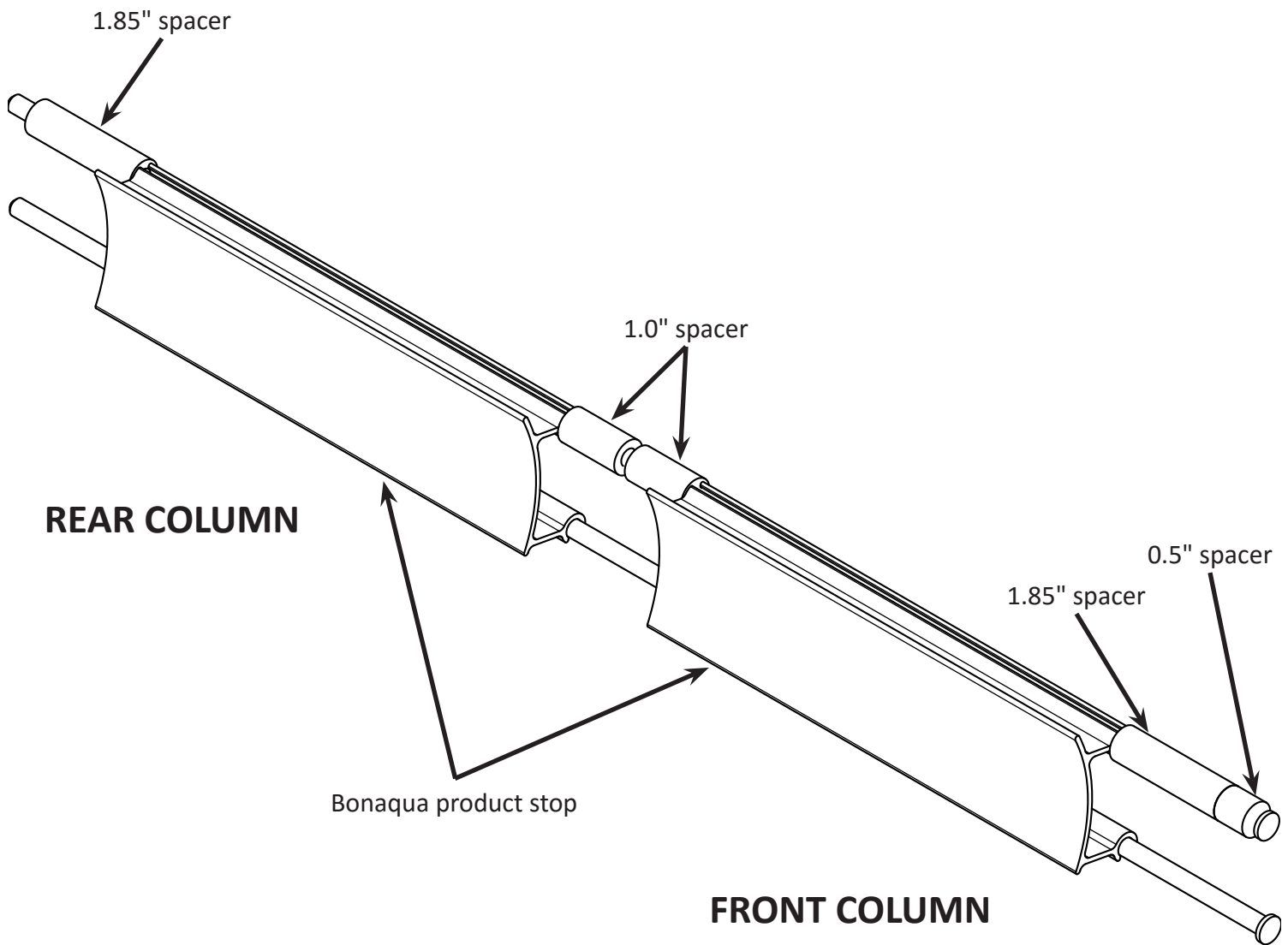


Page: 2 of 3
Date: 23 Jan 2017
Revision: 00

PRODUCT NAME: Bonaqua

Figure 1.

Order of spacers and product stops in columns

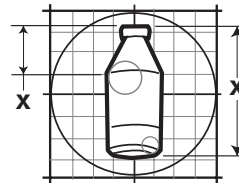


**ANY QUESTIONS? CONTACT ROYAL VENDORS' CUSTOMER SERVICE DEPARTMENT
IN NORTH AMERICA, CALL TOLL FREE 1 800 931-9214**



194 Package Vending Specification

426 Industrial Boulevard • Kearneysville WV 25430-2776 • USA
Telephone: +1 304 728 7056 • technicalinquiry@royalvendors.com
Toll-free in North America: 1 800 931 9214 • Fax: +1 304 725 4016
Canada: +1 905 738 5777 • Mexico: +52 55 5203 6887
Europe: +49 2158 95 1000 • Australia: +61 2 9890 5433

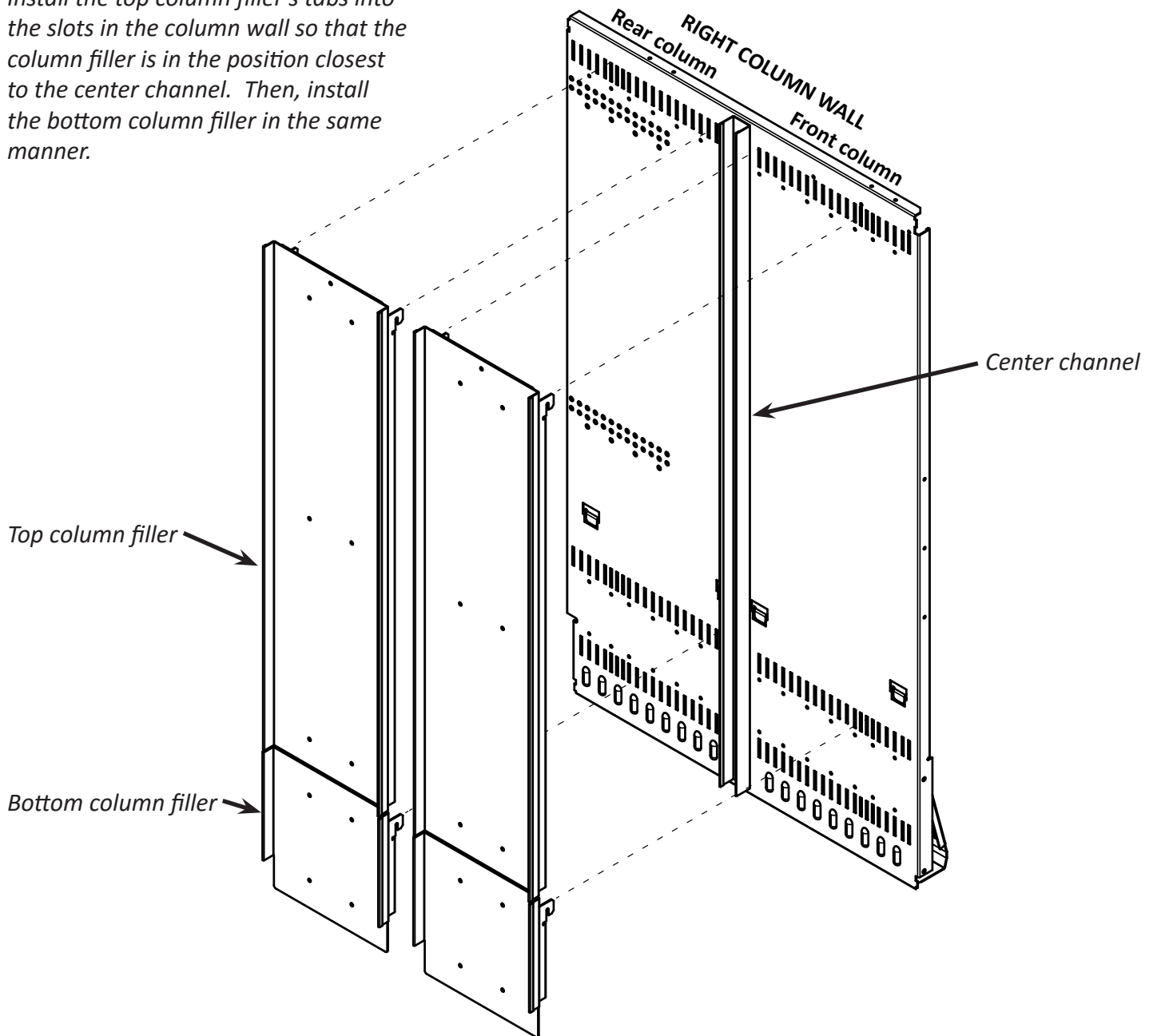


PRODUCT NAME: Bonaqua

Figure 2.

Column filler installation

Install the top column filler's tabs into the slots in the column wall so that the column filler is in the position closest to the center channel. Then, install the bottom column filler in the same manner.



**ANY QUESTIONS? CONTACT ROYAL VENDORS' CUSTOMER SERVICE DEPARTMENT
IN NORTH AMERICA, CALL TOLL FREE 1 800 931-9214**