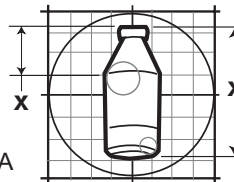




# 140

# Package Vending Specification



Page: 1 of 3

Date: 5 Mar 07

Revision: 00

426 Industrial Boulevard • Kearneysville WV 25430-2776 • USA  
Telephone: +1 304 728-7056 • Fax: +1 304 725-6579

**PRODUCT NAME:** Enviga  
**BOTTLER / COMPANY:** The Coca-Cola Company  
**VOLUME:** 12 oz. / 355 mL  
**PACKAGE TYPE:** Aluminum can  
**HEIGHT:** 6.13 in. / 155.8 mm  
**DIAMETER:** 2.26 in. / 57.3 mm  
**WEIGHT:** 0.80 lbs. / 0.36 kg  
**COUNTRY OF ORIGIN:** USA

### APPROVED VENDERS

VENDER	RETAINERS		79" CAPACITY	
	Front	Rear	Front	Rear
Gill	9	7	34	34

**KITS / PARTS:** FRONT COLUMNS: Enviga Kit Gill Front (79": 231046; 72": 232046). REAR COLUMNS: Enviga Kit Gill Rear (79": 231047; 72": 232047).

## INSTALLATION INSTRUCTIONS

**Note:** Before working on vender, always remove power by unplugging the vender's main power cord from the AC voltage source (outlet).

- Remove all product from the columns that are to be converted.
- Remove the existing spacers and product stops from all columns that are to be converted by pulling the product stop rods and removing the small parts.
- FRONT COLUMNS:
  - Reinstall spacers and product stops in the following order, starting from the front of the column (see Figure 1): 0.50" spacer (A), long product stop (B), 1.25" spacer (C), product stop from kit (D), 1.25" spacer (C).
  - Remove the left and right product retainers from the columns to be converted.
  - Install the shim by placing it all the way against the center divider channel. (See Figure 2.)
  - Install the left product retainer in position 8, counting from the front. Do not reinstall the right product retainer.
- REAR COLUMNS:
  - Reinstall the spacers and product stops in the following order, starting from the front of the column (see Figure 1): 1.25" spacer (C), product stop from kit (D), 1.25" spacer (C), long product stop (B).
  - Install the shims by placing them all the way against the center divider channel. Install the longer shim first, then install the shorter shim above the longer one. (See Figure 2.)
  - Install the backspacer assembly in position 7, counting from the rear.
- Attach one divider extrusion to the left-side center channel. (See Figure 3.)
- Load bottles with caps to the front in front columns and caps to the rear in rear columns.



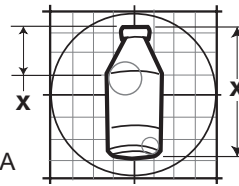
**ANY QUESTIONS? CONTACT ROYAL VENDORS' CUSTOMER SERVICE DEPARTMENT  
IN NORTH AMERICA, CALL TOLL FREE 1 800 931-9214**



# 140

## Package Vending Specification

426 Industrial Boulevard • Kearneysville WV 25430-2776 • USA  
Telephone: +1 304 728-7056 • Fax: +1 304 725-6579



Page: 2 of 3

Date: 5 Mar 07

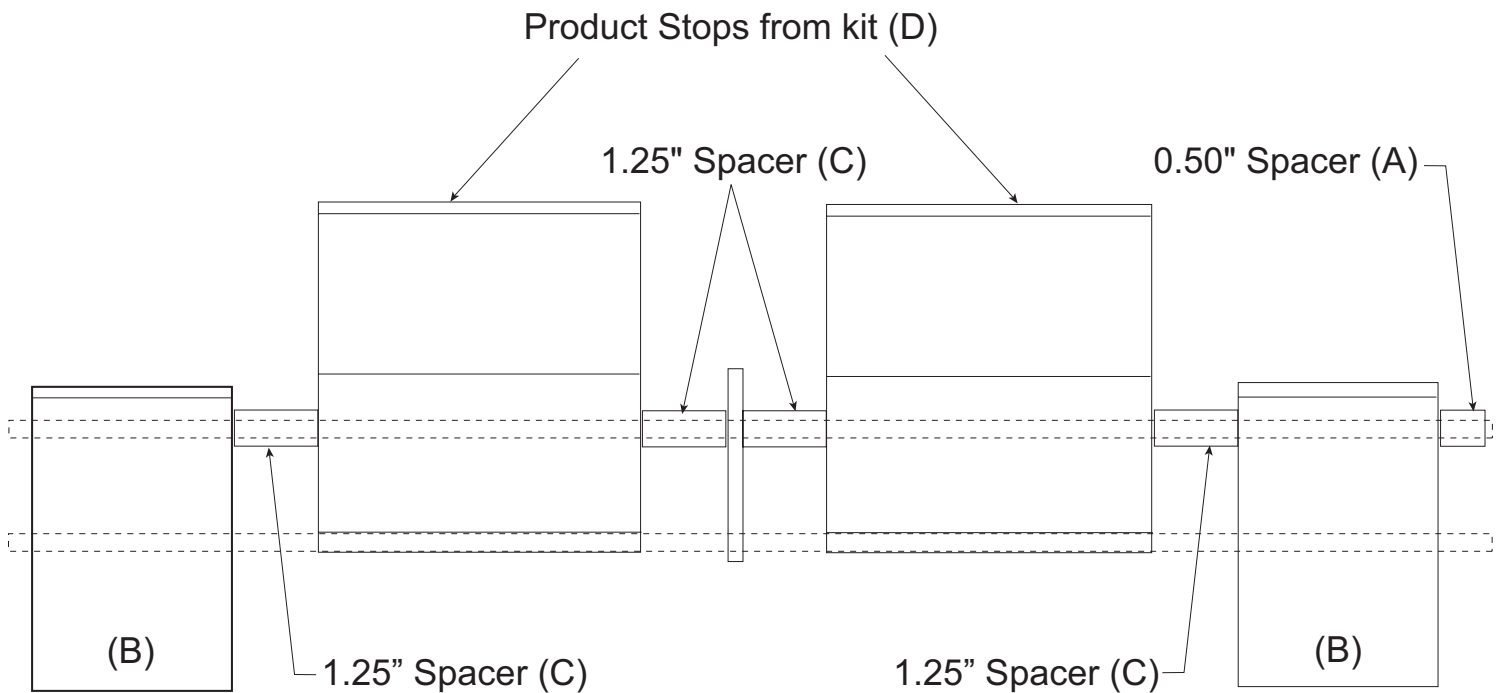
Revision: 00

**PRODUCT NAME:** Enviga

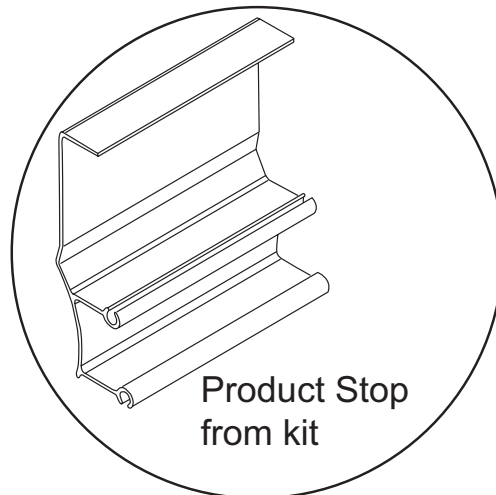
### Figure 1

*Order of spacers and product stops in columns*

**Note:** The long product stop and one 1.25" spacer are already installed in each GIII column prior to kit installation. Use these existing parts along with the parts in the kit to complete installation.



REAR



FRONT

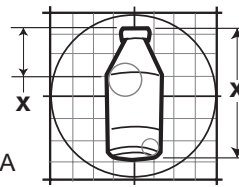
**ANY QUESTIONS? CONTACT ROYAL VENDORS' CUSTOMER SERVICE DEPARTMENT  
IN NORTH AMERICA, CALL TOLL FREE 1 800 931-9214**



# 140

# Package Vending Specification

426 Industrial Boulevard • Kearneysville WV 25430-2776 • USA  
Telephone: +1 304 728-7056 • Fax: +1 304 725-6579



Page: 3 of 3

Date: 5 Mar 07

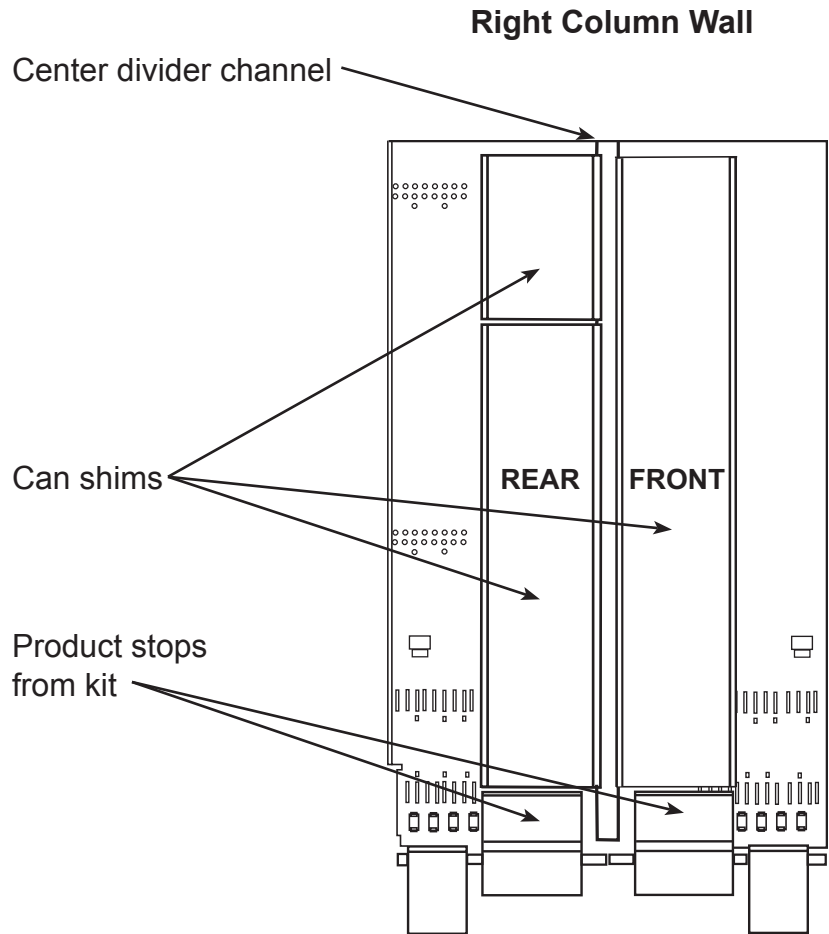
Revision: 00

**PRODUCT NAME:** Enviga

## Figure 2

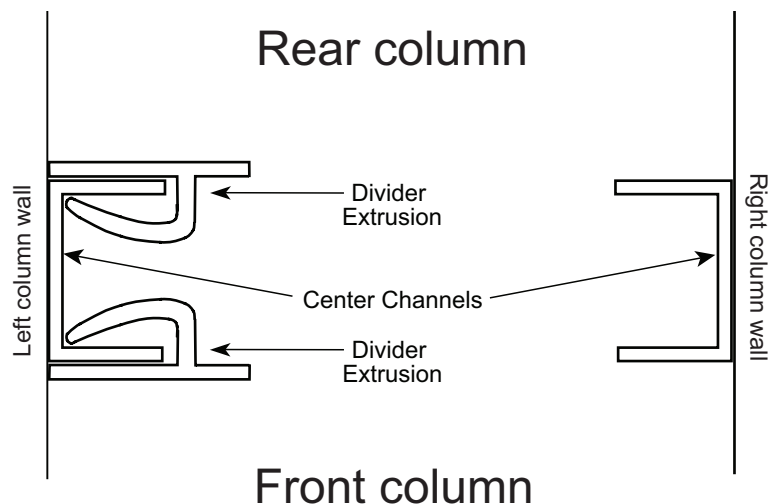
### Shim installation

Install the shims all the way against the center divider channel, as shown. In rear columns, install the longer shim first, then install the shorter shim above it.



## Figure 3

### Center divider extrusion installation



**ANY QUESTIONS? CONTACT ROYAL VENDORS' CUSTOMER SERVICE DEPARTMENT  
IN NORTH AMERICA, CALL TOLL FREE 1 800 931-9214**