



# SERVICE BULLETIN 308

426 Industrial Boulevard • Kearneysville WV 25430-2776 • USA  
 Telephone: +1 304 728 7056 • [technicalinquiry@royalvendors.com](mailto:technicalinquiry@royalvendors.com)  
 Toll-free in North America: 1 800 931 9214 • Fax: +1 304 725 4016  
 Canada: +1 905 738 5777 • Mexico: +52 55 5203 6887  
 Europe: +49 2158 95 1000 • Australia: +61 2 9890 5433

Page: 1 of 2

Date: 12 May 2015

Revision: 03

**SUBJECT:** RVV 500 Plus Port Assembly Upgrade Kit Installation Instructions

Number of  
People  
Required



**MODELS:** RVV 500

**KIT NUMBER**

**KIT DESCRIPTION**

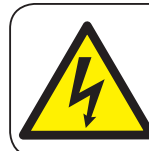
356709

RVV 500 Plus Port Assembly Upgrade Kit with Port Side Filler

**TOOLS REQUIRED:** Phillips screwdriver; 7/16" and 11/32" sockets with long extension

**ESTIMATED INSTALLATION TIME:** 15 minutes

**REASON FOR BULLETIN:** This bulletin describes the proper procedure for installing the RVV 500 Plus Port Assembly in place of the older non-Plus assembly.



The following areas of this vender contain voltage which can cause serious injury or even death: the main power cord, supplying 115-230 VAC to the evaporator, EMI filter, refrigeration system, monitor, and computer; the power line from the EMI filter to the ballast and transformer; and the ballast, which can produce upwards of 600 volts. Remove all power from the vender before working in any of these areas.

## INSTALLATION INSTRUCTIONS:

1. Remove power by unplugging the vender's power cord from the AC voltage source (wall outlet).
2. Open the vender's door, and remove the coin box.
3. Using a 7/16" wrench, remove the nuts on the three carriage bolts that secure the coin box housing in the vender's door. Remove the carriage bolts, and then remove the coin box housing. (Refer to Figure 1.)
4. Using an 11/32" socket with long extension, remove the four nuts that secure the port assembly. Two of these nuts are above the assembly; the other two are accessible about mid-way down the assembly by way of semi-circular cutouts in the adjacent brackets mounted to the vender's door. (Refer to Figure 2.)
5. Disconnect the harness that goes to the detector board on the port assembly.
6. *Venders with TriTeq locks:* Remove the battery backup jack, located in the top of the delivery bin.
7. Remove the port assembly from the vender.
8. Install the new port assembly in the vender's door in place of the old one. Ensure that the harnesses in the door are not caught behind the port assembly, pinched, bound up, etc. Hold down the delivery door while installing the assembly.
9. Secure the port assembly with the four nuts that were removed in Step 4.
10. Reconnect the harness to the detector board.
11. *Venders with TriTeq locks:* Reinstall the battery backup jack in the top of the port box assembly.
12. Reinstall the coin box housing. Secure it with the three carriage bolts and nuts that were removed in Step 3.
13. Reinstall the coin box.
14. Using the self-drilling screws from the kit, install the port spacer in the location shown in Figure 3.
15. Open and close the port box several times to ensure that it does not bind.
16. Restore power to the vender by plugging the vender's power cord into the AC voltage source.

In an effort to provide our customers with the latest information on our equipment, Royal Vendors sends service bulletins to customers using the original ship-to address or e-mail addresses, if supplied by our customers. We also post all service bulletins on our website at [www.royalvendors.com](http://www.royalvendors.com). If for any reason a vender is moved to another location or is sold to another customer other than to whom Royal Vendors originally sent the machine, it is the responsibility of the original purchaser of the vender to notify the appropriate personnel of the service bulletin.

**ANY QUESTIONS? CONTACT ROYAL VENDORS' CUSTOMER SERVICE DEPARTMENT  
IN NORTH AMERICA, CALL TOLL FREE 1 800 931 9214**



# SERVICE BULLETIN 308

426 Industrial Boulevard • Kearneysville WV 25430-2776 • USA  
Telephone: +1 304 728 7056 • technicalinquiry@royalvendors.com  
Toll-free in North America: 1 800 931 9214 • Fax: +1 304 725 4016  
Canada: +1 905 738 5777 • Mexico: +52 55 5203 6887  
Europe: +49 2158 95 1000 • Australia: +61 2 9890 5433

Page: 2 of 2

Date: 12 May 2015

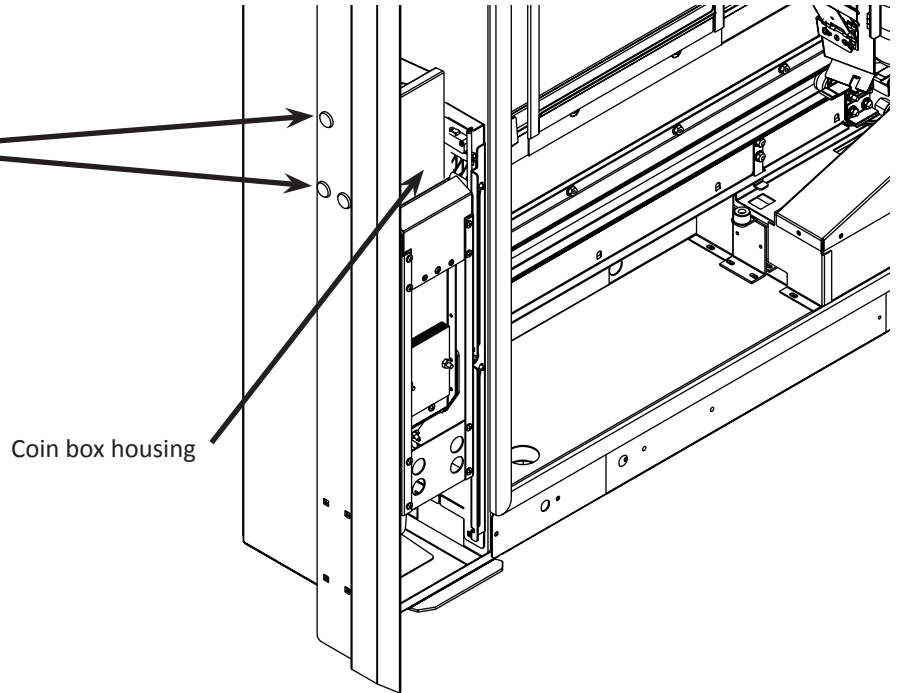
Revision: 03

**SUBJECT:** RVV 500 Plus Port Assembly Upgrade Kit Installation Instructions

**MODELS:** RVV 500

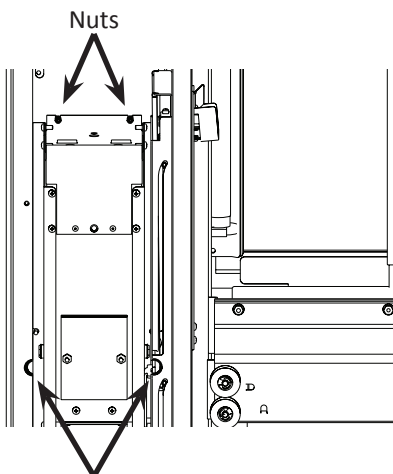
**Figure 1.**

Remove the nuts on these carriage bolts, accessible from inside the door. Then, remove the carriage bolts and the coin box housing.



**Figure 2.**

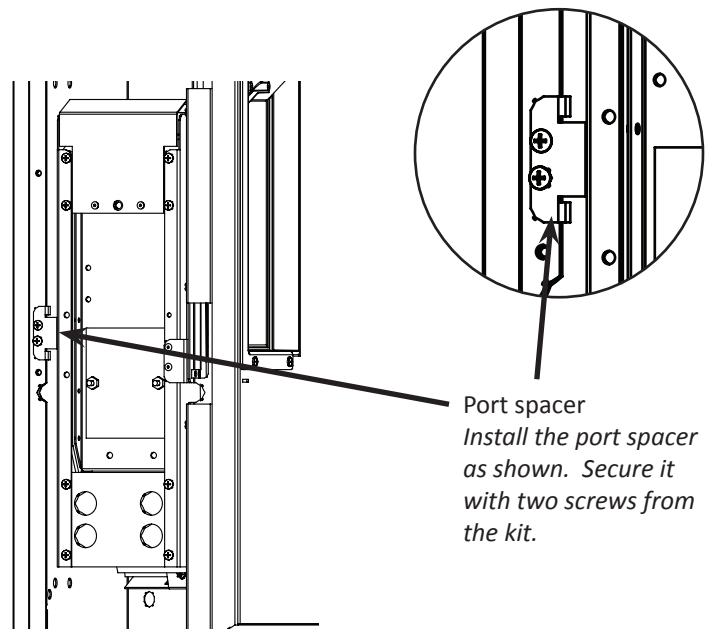
Remove the four nuts that secure the port box housing assembly. A long socket extension will be required.



To reach the bottom nuts, use these access notches.

**Figure 3.**

Install the port spacer.



Port spacer  
Install the port spacer as shown. Secure it with two screws from the kit.

**ANY QUESTIONS? CONTACT ROYAL VENDORS' CUSTOMER SERVICE DEPARTMENT  
IN NORTH AMERICA, CALL TOLL FREE 1 800 931 9214**