



SERVICE BULLETIN # 00253

426 INDUSTRIAL BOULEVARD • KEARNEYSVILLE WV 25430-2776 • USA
Phone: (304) 728-7056 • Fax: (304) 725-6579 • Toll Free: (800) 931-9214

PAGE: 1 of 3
DATE: 7-6-04
REVISION: 00

SUBJECT: Replacing the Glass Panel	# of People Required 
MODELS: RVV	

Kit Number	Kit Description
849552	Glass Panel RVV

TOOLS REQUIRED: Philips screwdriver, 3/8" socket

ESTIMATED INSTALLATION TIME: 20 minutes

REASON FOR BULLETIN: This bulletin describes the proper procedure for replacing the glass panel on the Royal Vision Vender (RVV).

IMPORTANT NOTE: *The RVV Glass Panel is heavy. Use caution when handling the panel! Also, be careful when setting the panel down, as the corners are fragile and will break easily.*

INSTALLATION INSTRUCTIONS:

1. Remove power to the vender by unplugging the vender's main power cord from the AC voltage source (wall outlet).
2. Remove the fluorescent tubes from the vender.
3. Remove the glass panel top support by first unscrewing the three screws which secure it. (See Figure 1.)
4. Remove the bottle deflector, which is secured by four screws.
5. Remove the glass panel bottom support by first unscrewing the three screws which secure it.
6. Remove the left support. This support is secured by three screws.
7. Remove the right support by first removing the 1st, 3rd, and 5th bolts. (See Figure 3.)
8. Remove the existing glass panel. To remove it, gently push back on the top of the glass from the front of the door. **Note:** *To prevent serious injuries, use extra caution when working with broken glass.*
9. Remove all of the old caulk that is left from the area around the glass panel that was removed. Then, apply a new 1/4" (5 mm) bead of caulk all the way around where the new glass panel will be installed. **Note:** *Ensure that there are no gaps in the caulk at any point!*
10. Install the new glass panel. When facing the glass from the inside of the door, the Royal Vendors logo should be in the lower-right corner of the glass. (See Figure 4.)
11. Re-install the right support. Before screwing in the bolts all the way, push the support back as far as possible.
12. Re-install the left support. Before turning the screws in all the way, push the support back as far as possible.
13. Re-install the glass panel bottom support. Make sure when installing this support that the harnessing leading to the bottom left socket is behind this support!
14. Re-install the bottle deflector.
15. Re-install the glass panel top support. Make sure when installing this support that the harnessing leading to the top left socket is behind this support!
16. Re-install the fluorescent tubes.

In an effort to provide our customers with the latest information on our equipment, Royal Vendors sends service bulletins to customers using the original ship-to address or e-mail addresses, if supplied by our customers. We also post all service bulletins on our website at www.royalvendors.com. If for any reason a vender is moved to another location or is sold to another customer other than to whom Royal Vendors originally sent the machine, it is the responsibility of the original purchaser of the vender to notify the appropriate personnel of the service bulletin.

**ANY QUESTIONS??? CONTACT ROYAL VENDORS' CUSTOMER SERVICE DEPARTMENT
CALL TOLL FREE (800) 931-9214**



SERVICE BULLETIN # 00253

426 INDUSTRIAL BOULEVARD • KEARNEYSVILLE WV 25430-2776 • USA
Phone: (304) 728-7056 • Fax: (304) 725-6579 • Toll Free: (800) 931-9214

PAGE: 2 of 3

DATE: 7-6-04

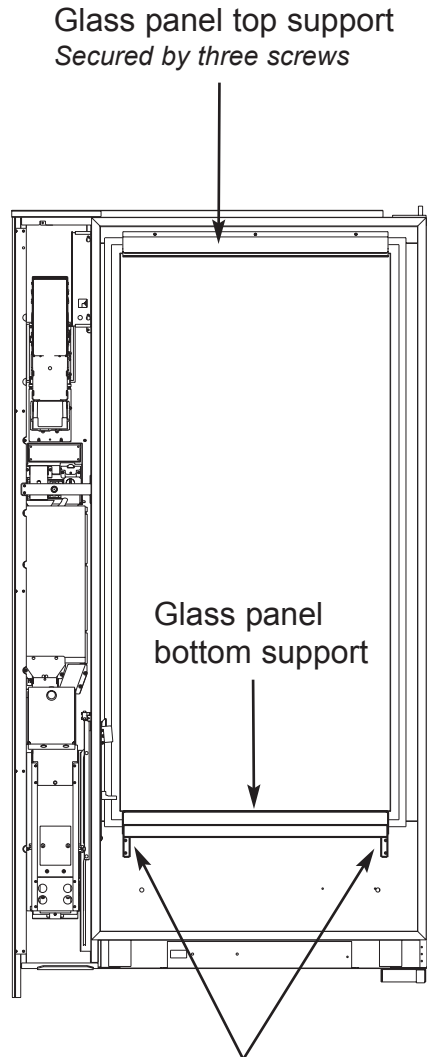
REVISION: 00

SUBJECT: Replacing the Glass Panel

MODELS: RVV

Figure 1

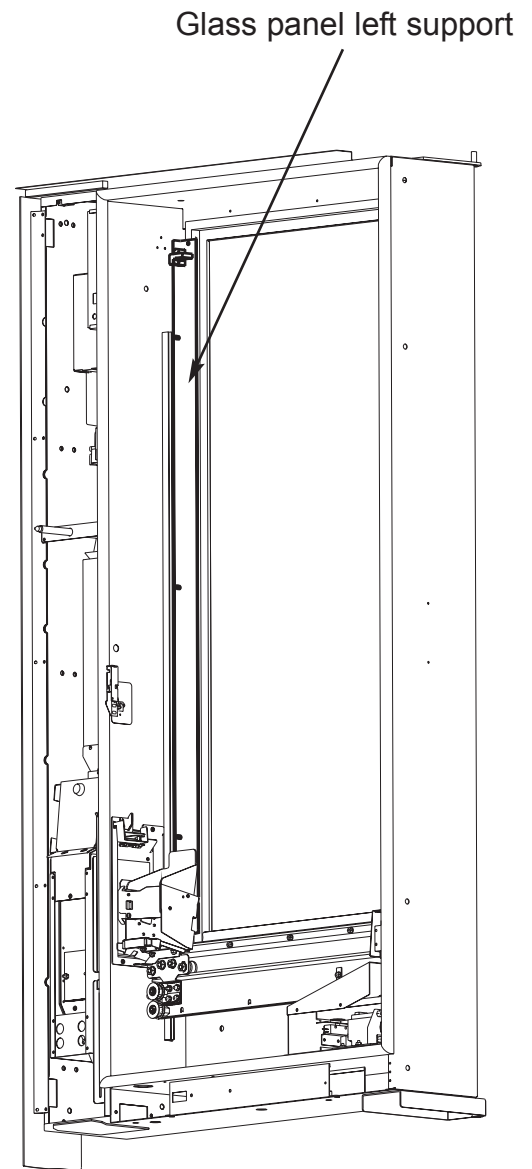
Top and bottom supports
(Elevator assembly removed from drawing for clarity)



Screws for bottle deflector
Remove these screws to remove the bottle deflector.
Behind the bottle deflector are three screws which secure the glass panel bottom support.

Figure 2

Left support



ANY QUESTIONS??? CONTACT ROYAL VENDORS' CUSTOMER SERVICE DEPARTMENT
CALL TOLL FREE (800) 931-9214



SERVICE BULLETIN # 00253

426 INDUSTRIAL BOULEVARD • KEARNEYSVILLE WV 25430-2776 • USA
Phone: (304) 728-7056 • Fax: (304) 725-6579 • Toll Free: (800) 931-9214

PAGE: 3 of 3

DATE: 7-6-04

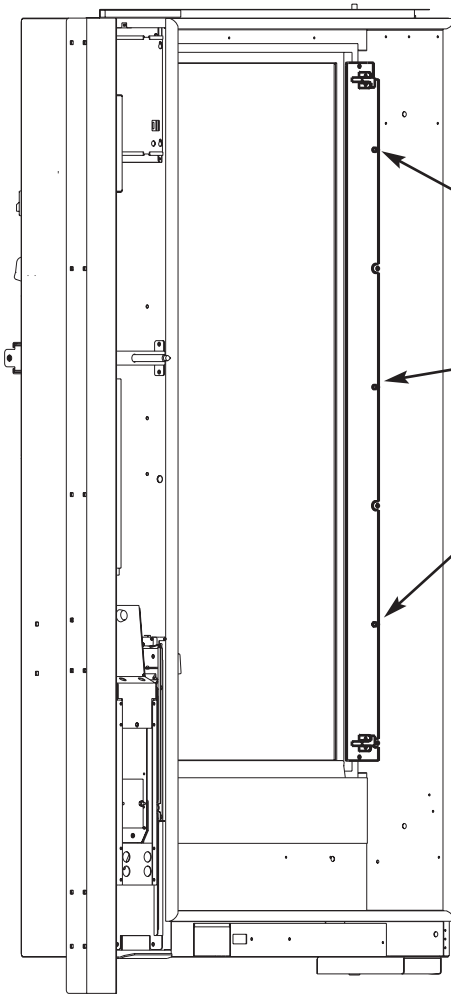
REVISION: 00

SUBJECT: Replacing the Glass Panel

MODELS: RVV

Figure 3

Right support
(Elevator assembly removed from drawing for clarity)

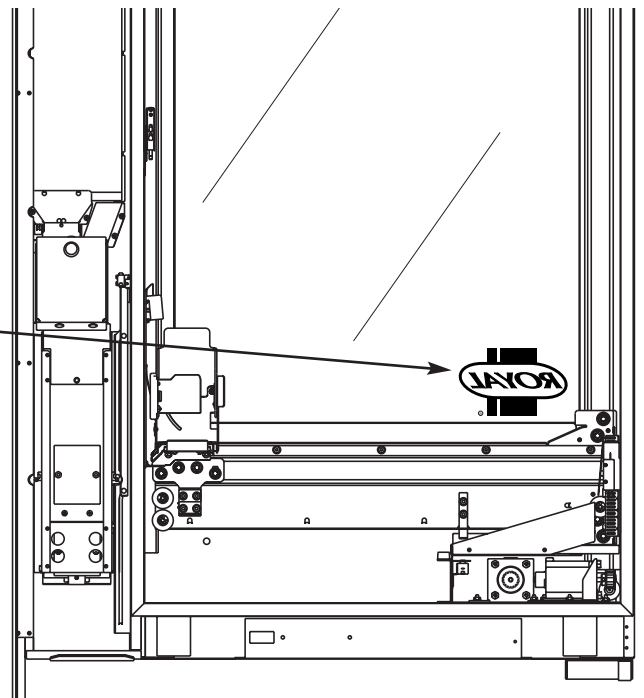


Right support
Using a 3/8" (10 mm) socket, remove the 1st, 3rd, and 5th bolts, counting from the top.

Figure 4

Glass direction

Logo should be in lower right corner of glass, when looking from inside the door.



**ANY QUESTIONS??? CONTACT ROYAL VENDORS' CUSTOMER SERVICE DEPARTMENT
CALL TOLL FREE (800) 931-9214**