



SERVICE BULLETIN # 00239

201 INDUSTRIAL BOULEVARD • KEARNEYSVILLE, WV 25430

Phone: (304) 728-7056 • Fax: (304) 725-6579 • Toll Free: (800) 931-9214

PAGE: 1 of 2

DATE: 9-3-03

REVISION: 00

SUBJECT: Flavor Card Holder Kit Installation (Live Display)

MODELS: Merlin IV Live Display (RVDVE650-10 models)

of People
Required



Kit Number

Kit Description

278528

Flavor Card Holder Kit

TOOLS REQUIRED: Phillips screwdriver, 3/8" nut driver, drill with 13/64" bit

ESTIMATED INSTALLATION TIME: 15 minutes

Reason for Kit: This kit is designed to allow flavor cards to be installed in the Live Display vender.

NOTE: FLAVOR CARDS SOLD SEPARATELY FROM KIT.

Kit Installation Instructions:

Before working on the vender, remove power to it by unplugging the vender's main power cord from the AC voltage power source.

1. Remove the screw securing the display back panel, and remove the panel. (See Figure 1.)
2. Drill out the rivets that hold the product holders in place. (See Figure 2.)
3. Using the 13/64" drill bit, bore the holes that will be used for the screws that secure the flavor card holder. (See Figure 3.)
4. Install the flavor card holder. Make sure the chamfered corner is in the upper left. (See Figure 4.) Use the four screws supplied with the flavor card holder to secure it.
5. Replace the display back panel, and secure it with the screw.

Figure 1

Rear of door

Display
back
panel

Screw

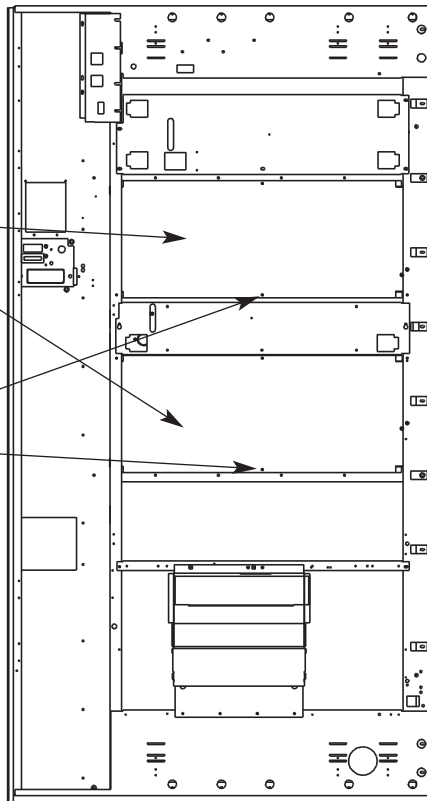
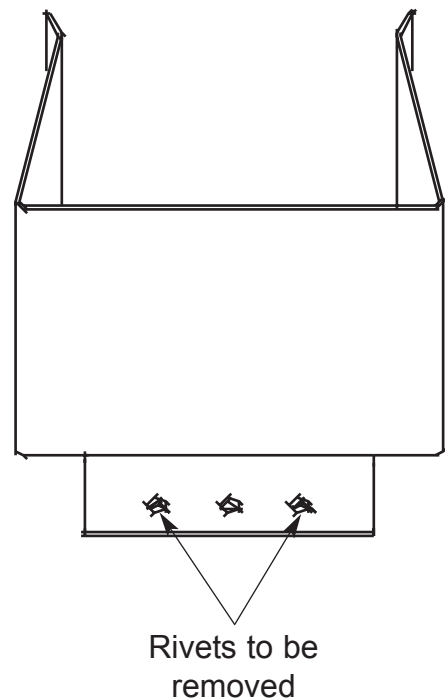


Figure 2

Product holder



**ANY QUESTIONS??? CONTACT ROYAL VENDORS' CUSTOMER SERVICE DEPARTMENT
CALL TOLL FREE (800) 931-9214**



SERVICE BULLETIN # 00239

201 INDUSTRIAL BOULEVARD • KEARNEYSVILLE, WV 25430
Phone: (304) 728-7056 • Fax: (304) 725-6579 • Toll Free: (800) 931-9214

PAGE: 2 of 2

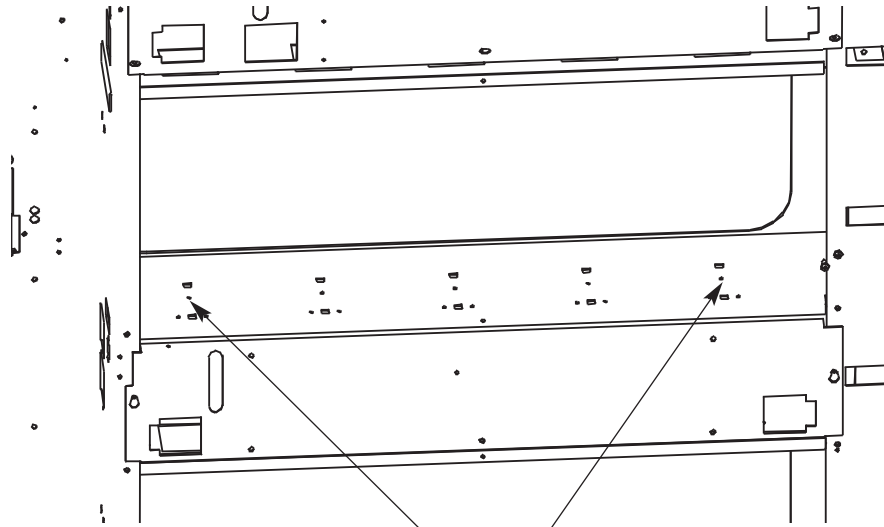
DATE: 9-3-03

REVISION: 00

SUBJECT: Flavor Card Holder Kit Installation (Live Display)

MODELS: Merlin IV Live Display (RVDVE650-10 models)

Figure 3



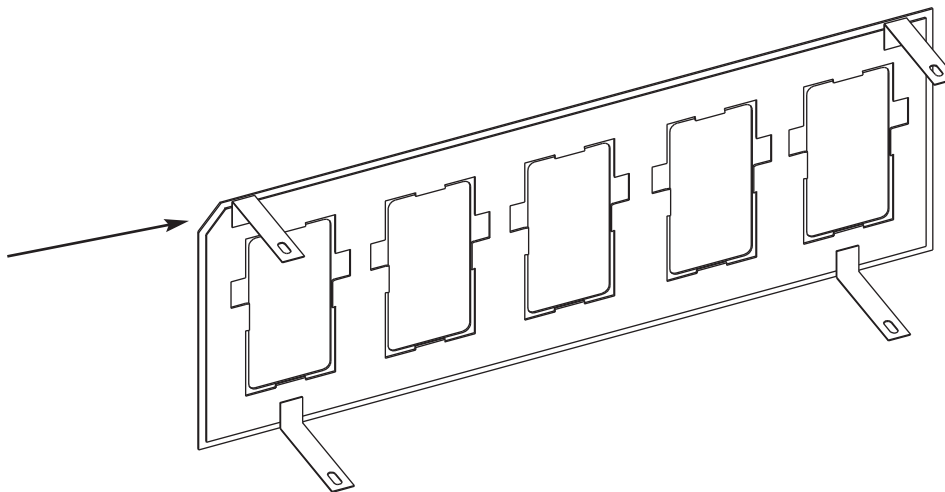
Holes to be bored

(Note: There are also two holes in the top of the display area that may or may not need to be bored.)

Figure 4

Flavor card holder

Chamfered corner



**ANY QUESTIONS??? CONTACT ROYAL VENDORS' CUSTOMER SERVICE DEPARTMENT
CALL TOLL FREE (800) 931-9214**