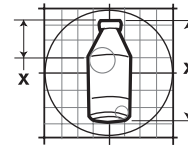




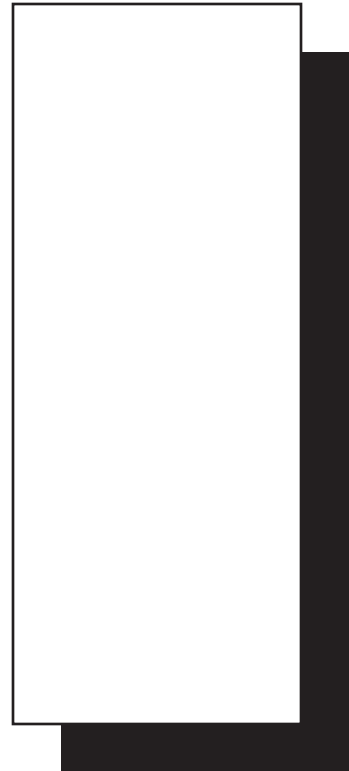
# 185 Package Vending Specification

426 Industrial Boulevard • Kearneysville WV 25430-2776 • USA  
 Telephone: +1 304 728 7056 • technicalinquiry@royalvenders.com  
 Toll-free in North America: 1 800 931 9214 • Fax: +1 304 725 4016  
 Canada: +1 905 738 5777 • Mexico: +52 55 5203 6887  
 Europe: +49 2158 95 1000 • Australia: +61 2 9890 5433



Page: 1 of 2  
 Date: 27 Nov 2013  
 Revision: 00

**PRODUCT NAME:** 16 oz Mello Yello Bolt bottle  
**BOTTLER / COMPANY:** The Coca-Cola Company  
**VOLUME:** 16 oz. / 473 mL  
**PACKAGE TYPE:** PETE  
**HEIGHT:** 8.35 in. / 212.2 mm  
**DIAMETER:** 2.61 in. / 66.4 mm  
**WEIGHT:** 1.15 lbs. / 0.52 kg  
**COUNTRY OF ORIGIN:** USA



APPROVED VENDERS				
VENDER	RETAINERS		79" CAPACITY	
	Front	Rear	Front	Rear
GIII	9	4	31	31
TDV	6	6	32	64
RVV NG	N/A	N/A	8	N/A

**KITS / PARTS:** No kits required.

**INSTALLATION INSTRUCTIONS**

*Note: Before working on vender, always remove power by unplugging the vender's main power cord from the AC voltage source (outlet).*

**GIII:**

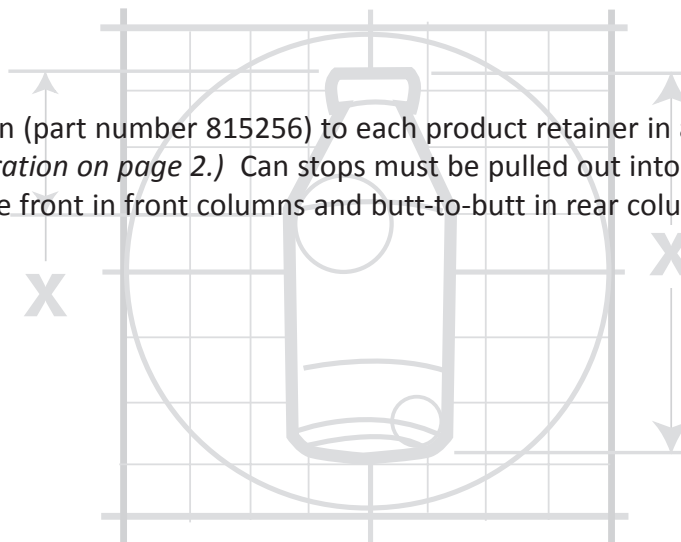
Place product stops in the small package position. Load bottles with caps to the front in front columns and caps to the rear in rear columns.

**TDV:**

Attach one retainer extrusion (part number 815256) to each product retainer in all columns set to vend this product. (Refer to the illustration on page 2.) Can stops must be pulled out into position on all rear columns. Load bottles with caps to the front in front columns and butt-to-butt in rear columns.

**RVV NG:**

No special instructions.

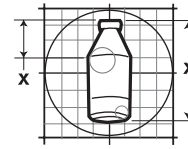


**ANY QUESTIONS? CONTACT ROYAL VENDORS' CUSTOMER SERVICE DEPARTMENT  
 IN NORTH AMERICA, CALL TOLL FREE 1 800 931 9214**



# 185 Package Vending Specification

426 Industrial Boulevard • Kearneysville WV 25430-2776 • USA  
Telephone: +1 304 728 7056 • technicalinquiry@royalvendors.com  
Toll-free in North America: 1 800 931 9214 • Fax: +1 304 725 4016  
Canada: +1 905 738 5777 • Mexico: +52 55 5203 6887  
Europe: +49 2158 95 1000 • Australia: +61 2 9890 5433



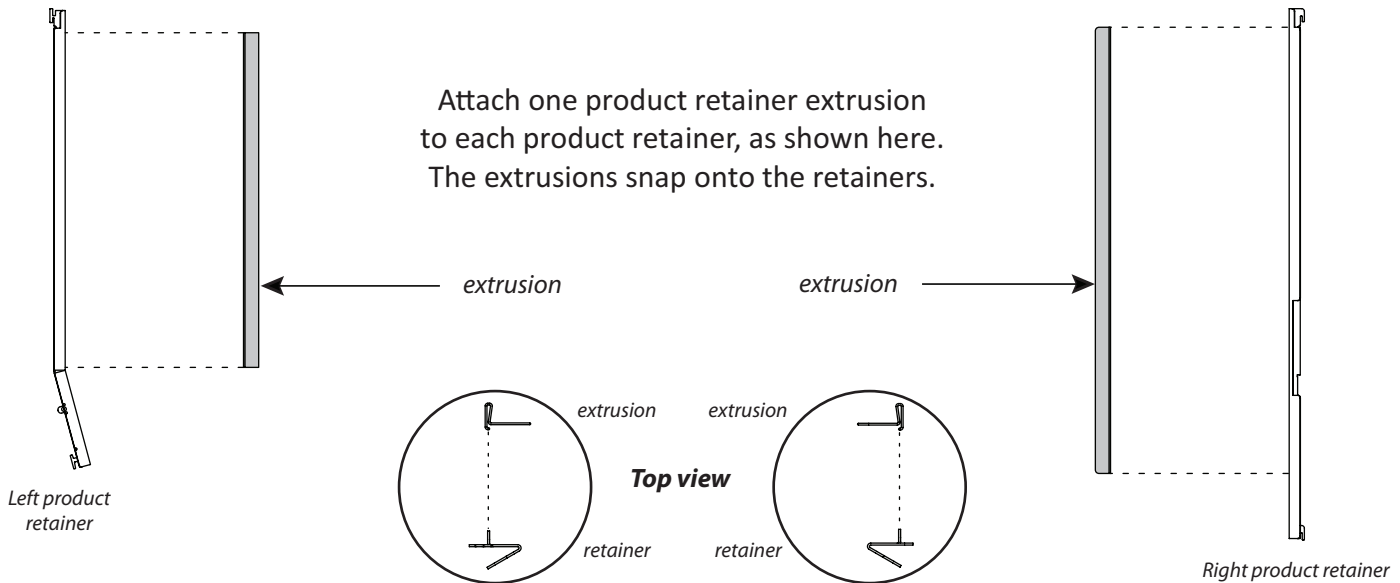
Page: 2 of 2

Date: 27 Nov 2013

Revision: 00

**PRODUCT NAME:** 16 oz Mello Yello Bolt bottle

In TDV models, attach one retainer extrusion (part number 815256) to each product retainer in all columns set to vend this product.



**ANY QUESTIONS? CONTACT ROYAL VENDORS' CUSTOMER SERVICE DEPARTMENT  
IN NORTH AMERICA, CALL TOLL FREE 1 800 931 9214**