



SERVICE BULLETIN # 00009

201 INDUSTRIAL BOULEVARD • KEARNEYSVILLE, WV 25430

Phone: (304) 728-7056 • Fax: (304) 725-6579 • Toll Free: (800) 931-9214

PAGE: 1 of 1

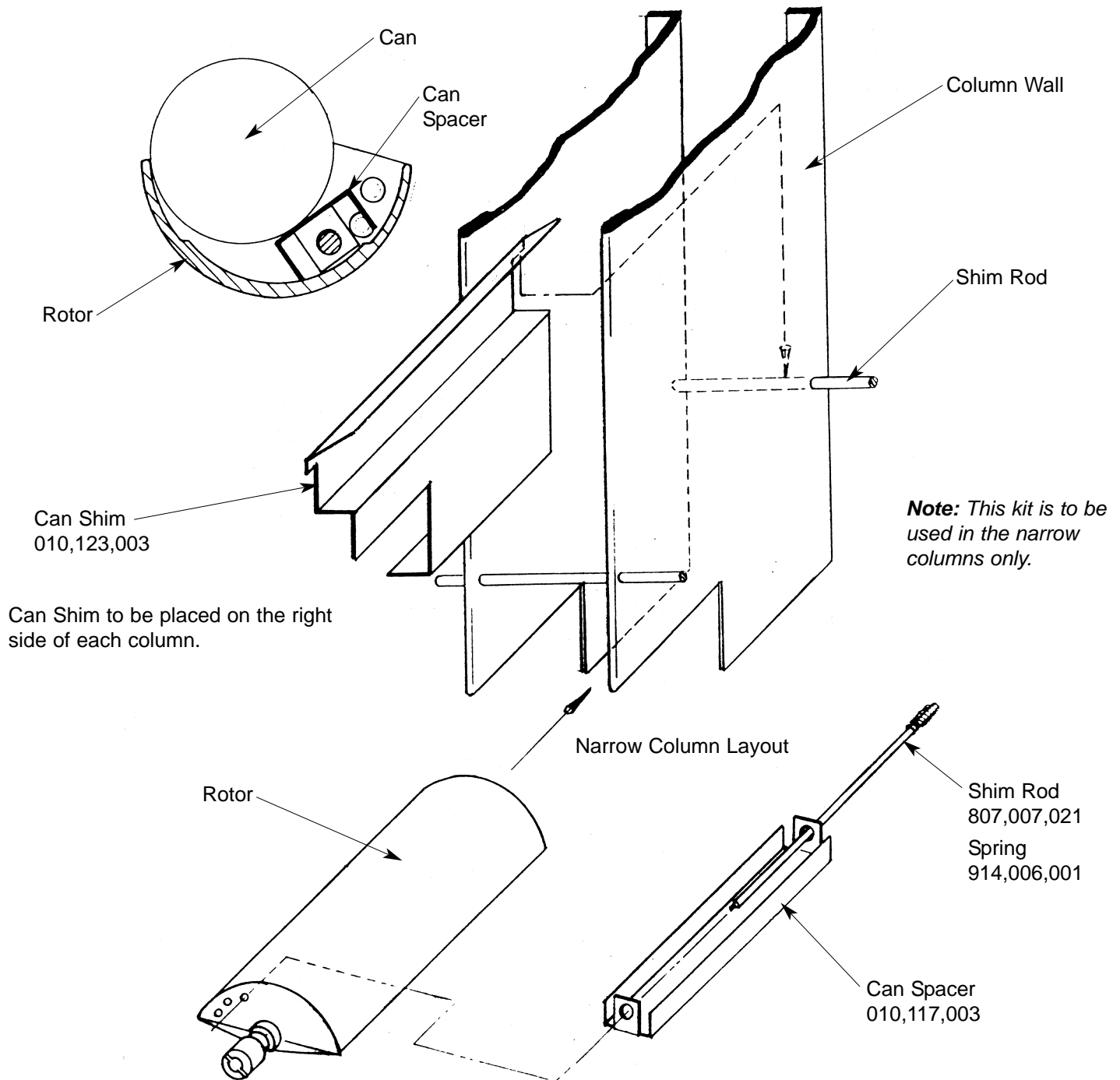
DATE: 8-16-00

REVISION: 02

SUBJECT: Can Shim / Can Spacer Installation for 250 ml cans for Kuwait

MODELS: Electro-Mechanical, Merlin 2000, Merlin III

BEFORE WORKING ON VENDER: Remove power from vender by unplugging vender's main power cord from the AC voltage power source (wall outlet).



**ANY QUESTIONS??? CONTACT ROYAL VENDORS' CUSTOMER SERVICE DEPARTMENT
CALL TOLL FREE (800) 931-9214**