



SERVICE BULLETIN # 00099

201 INDUSTRIAL BOULEVARD • KEARNEYSVILLE, WV 25430

Phone: (304) 728-7056 • Fax: (304) 725-6579 • Toll Free: (800) 931-9214

PAGE: 1 of 1

DATE: 8-18-00

REVISION: 02

SUBJECT: Installation of Coke Lock Cover

MODELS: Landscape, Vandal Resistant Coke Venders

KIT NUMBER

KIT DESCRIPTION

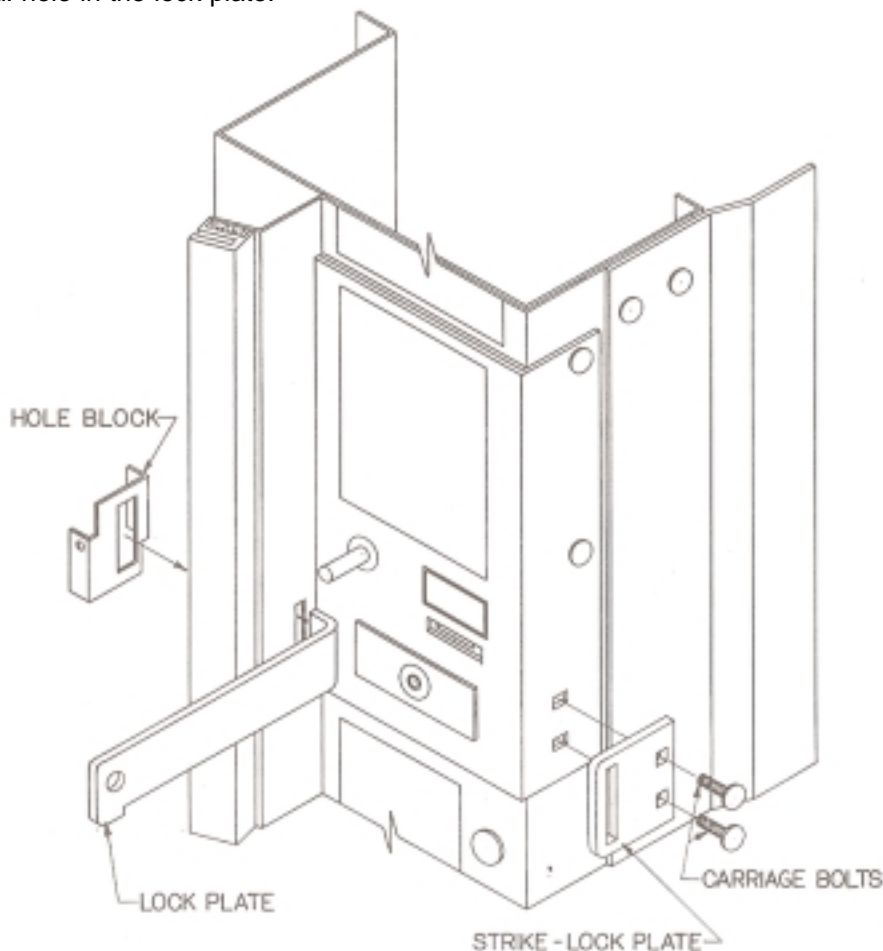
141110

Coke Lock Cover (Landscape, Vandal Resistant Coke Venders)

BEFORE WORKING ON VENDER: Remove power from vender by unplugging vender's main power cord from the AC voltage power source (wall outlet).

INSTRUCTIONS:

1. Remove the (2) existing 1/4"-20 x 1/2" long carriage bolts from the side of the select panel. (It may be necessary to remove the coin chute.)
2. Locate the strike-lock plate over the holes from which the carriage bolts were removed from and secure with the (2) 1/4"-20 x 1" long carriage bolts which are provided.
3. Remove the hole block from its existing position and rotate 180 degrees so the rectangular hole lines up with the hole in the control panel. Secure with existing screw.
4. Place lock plate thru the rectangular hole in the control panel (the notch on one end of the lock plate will prevent it from sliding thru the control panel.) Slide lock plate thru the opening in the strike-lock plate and secure padlock thru the 1/2" dia. hole in the lock plate.



**ANY QUESTIONS??? CONTACT ROYAL VENDORS' CUSTOMER SERVICE DEPARTMENT
CALL TOLL FREE (800) 931-9214**