



SERVICE BULLETIN # 00098

201 INDUSTRIAL BOULEVARD • KEARNEYSVILLE, WV 25430

Phone: (304) 728-7056 • Fax: (304) 725-6579 • Toll Free: (800) 931-9214

PAGE: 1 of 1

DATE: 8-18-00

REVISION: 02

SUBJECT: Button Filler Plate Kit

MODELS: Pepsi and Cold Drink Venders

KIT NUMBER

KIT DESCRIPTION

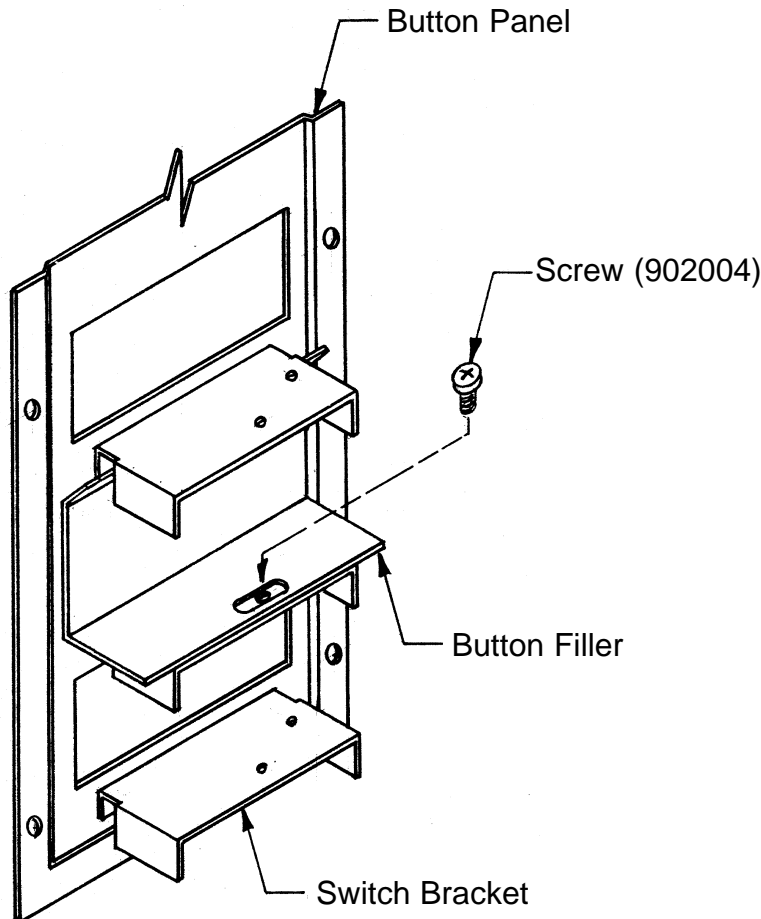
012147

Button Filler Plate Kit (Pepsi and Cold Drink Venders)

BEFORE WORKING ON VENDER: Remove power from vender by unplugging vender's main power cord from the AC voltage power source (wall outlet).

INSTRUCTIONS:

1. Remove select button and select switch from the button panel.
2. Place button filler plate over the select button opening. It will be secured at the top by wedging it in between the switch bracket and the button panel. Secure it at the bottom by running a screw through the button filler plate and into the pre-punched hole in the switch bracket.



**ANY QUESTIONS??? CONTACT ROYAL VENDORS' CUSTOMER SERVICE DEPARTMENT
CALL TOLL FREE (800) 931-9214**