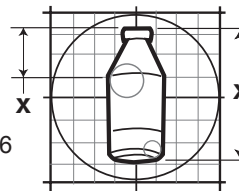




096

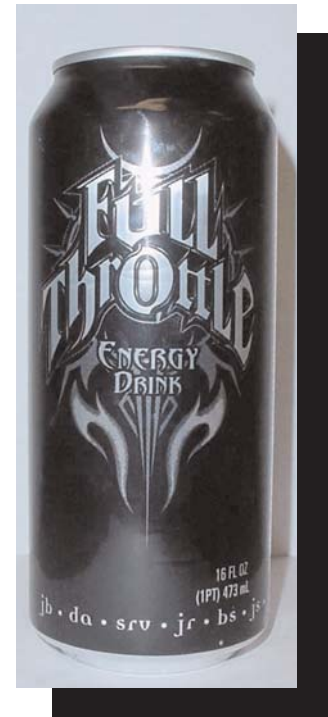
Package Vending Specification

426 Industrial Boulevard • Kearneysville WV 25430-2776
 Phone: (304) 728-7056 • Fax: (304) 725-6579



PAGE: 1 of 1
DATE: 2-11-05
REVISION: 01

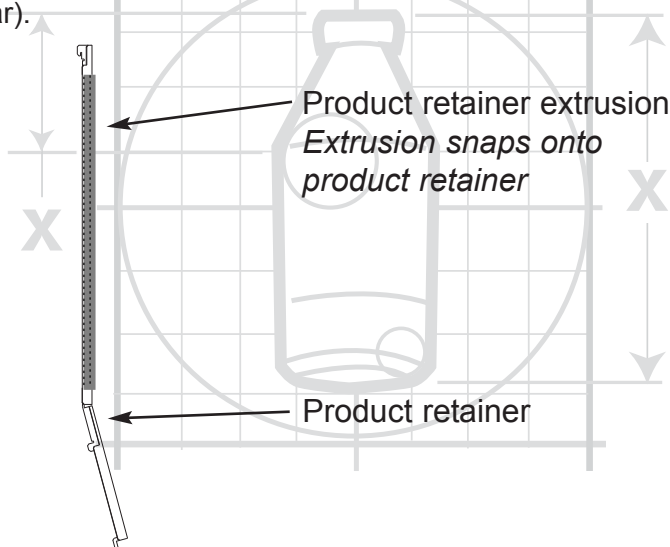
PRODUCT NAME: Full Throttle
BOTTLER / COMPANY: The Coca-Cola Company
VOLUME: 16 oz. / 473 mL
PACKAGE TYPE: can
HEIGHT: 6.20 in. / 15.7 cm
DIAMETER: 2.60 in. / 6.6 cm
WEIGHT: 1.14 lbs. / 0.52 kg
COUNTRY OF ORIGIN: USA



APPROVED VENDERS				
VENDER	RETAINERS		79" CAPACITY	
	Front	Rear	Front	Rear
GIII	9	8	31	31
TDV	9	8	31	62

Kits / Parts: **GIII:** FRONT COLUMNS: Product retainer extrusions on both retainers (72": p/n 815255; 79": p/n 815256). REAR COLUMNS: None required. **TDV:** FRONT COLUMNS: Product retainer extrusions on both retainers (72": p/n 815375; 79": p/n 815376). REAR COLUMNS: None required.

SPECIAL INSTRUCTIONS: **GIII:** Due to the length of this package, it will only vend single-depth in all columns. Set all product stops in small package position. **TDV:** This package will vend single-depth in front columns. In rear columns, load cans so that they all face the same direction (all with tops to the front or all with tops to the rear).



ANY QUESTIONS??? CONTACT ROYAL VENDORS' CUSTOMER SERVICE DEPARTMENT
CALL TOLL FREE (800) 931-9214