



SERVICE BULLETIN # 00096

201 INDUSTRIAL BOULEVARD • KEARNEYSVILLE, WV 25430

Phone: (304) 728-7056 • Fax: (304) 725-6579 • Toll Free: (800) 931-9214

PAGE: 1 of 1

DATE: 8-18-00

REVISION: 02

SUBJECT: Patch Plate Kit - Coke

MODELS: Landscape Coke Venders

KIT NUMBER

KIT DESCRIPTION

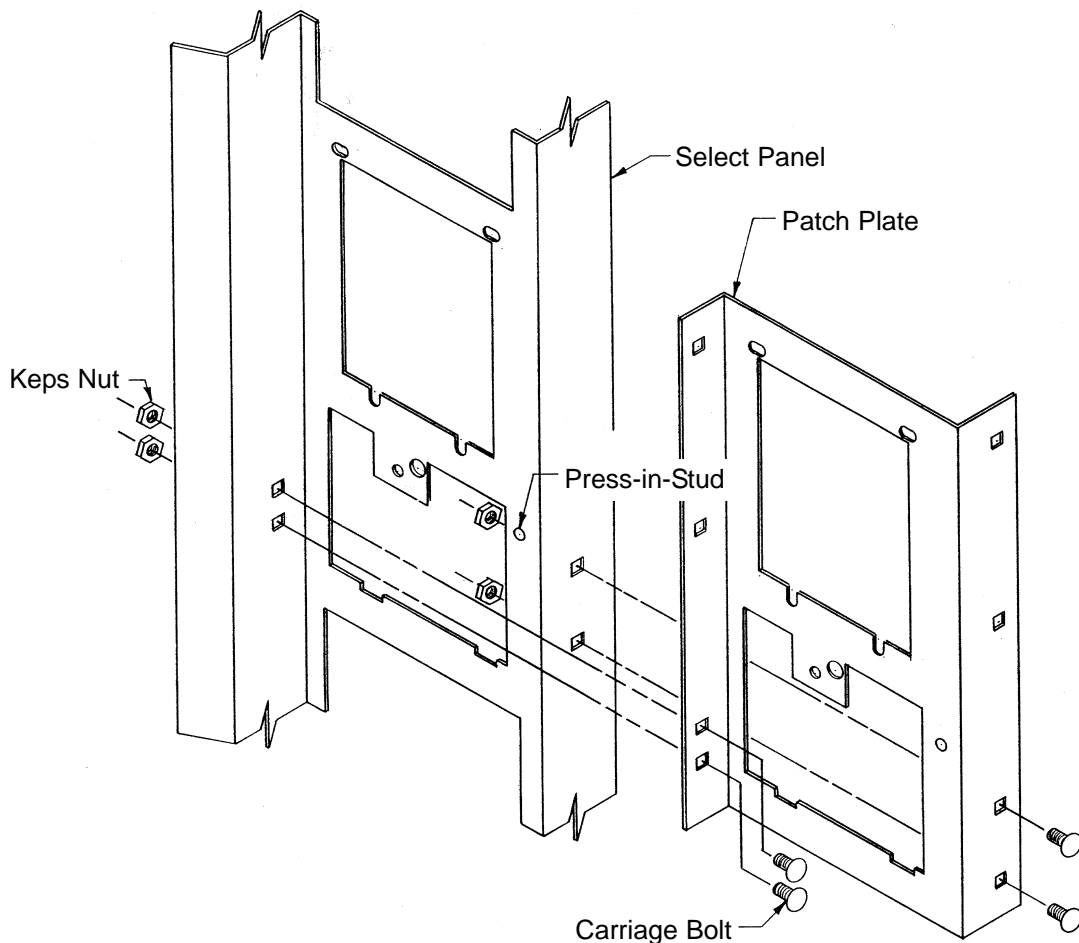
011193

Patch Plate Kit (Landscape Coke Venders)

BEFORE WORKING ON VENDER: Remove power from vender by unplugging vender's main power cord from the AC voltage power source (wall outlet).

Instructions:

1. Depending on the amount of damage, either all or parts of the damaged area may need to be removed to allow the validator and/or coin insert to be installed properly.
2. If the press-in-stud located on the select panel is still usable, it will be necessary to remove the stud from the patch plate.
3. Align the existing lockcover holes in the select panel with the holes in the patch plate and secure by using (4) carriage bolts and nuts.
4. Using the patch plate as a guide, drill (4) 9/32" dia. holes into the select panel and secure the patch plate with an additional (4) carriage bolts and nuts.



**ANY QUESTIONS??? CONTACT ROYAL VENDORS' CUSTOMER SERVICE DEPARTMENT
CALL TOLL FREE (800) 931-9214**