



SERVICE BULLETIN # 00095

201 INDUSTRIAL BOULEVARD • KEARNEYSVILLE, WV 25430

Phone: (304) 728-7056 • Fax: (304) 725-6579 • Toll Free: (800) 931-9214

PAGE: 1 of 1

DATE: 6-19-02

REVISION: 05

SUBJECT: Installation of 24 Volt Transformer Cover

MODELS: Merlin Venders

KIT NUMBER	KIT DESCRIPTION
010063	24 Volt Transformer Cover (Merlin Venders)

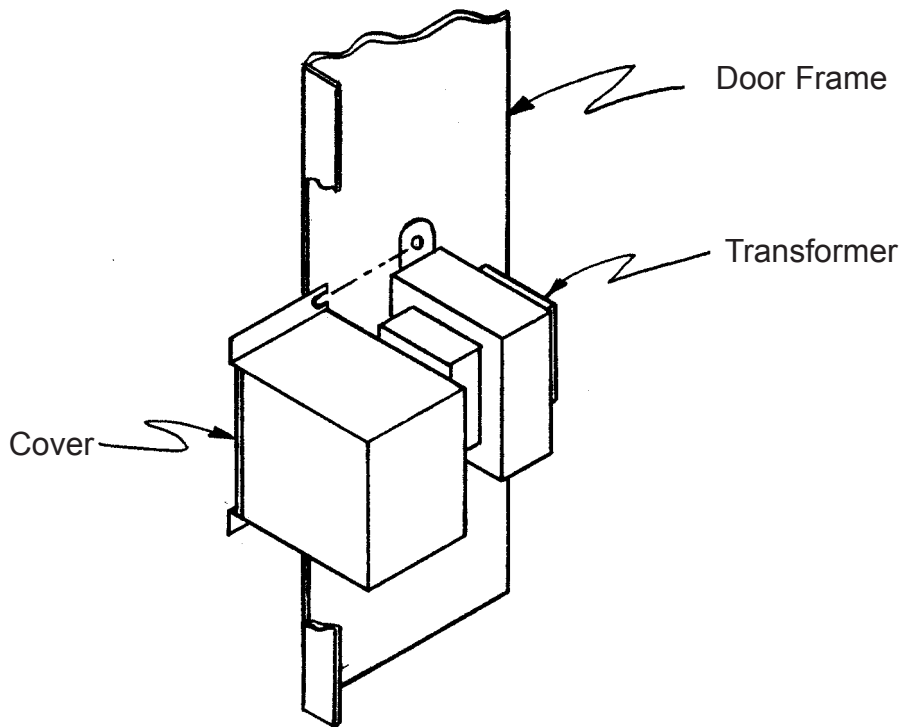
BEFORE WORKING ON VENDER: Remove power from vender by unplugging vender's main power cord from the AC voltage power source (wall outlet).

Instructions:

1. Loosen (2) Transformer mounting screws but do not remove.
2. Install cover under screws.
3. Tighten screws.



The following areas of this vender contain voltage, which can cause serious injury or even death. The main power cord, supplying 110 VAC to the evaporator, EMI filter, and refrigeration system. The power line from the EMI filter to the ballast and transformer. The ballast can produce upwards of 600 volts. Remove power from vender before working in any of these areas.



**ANY QUESTIONS??? CONTACT ROYAL VENDORS' CUSTOMER SERVICE DEPARTMENT
CALL TOLL FREE (800) 931-9214**