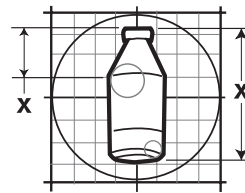




# 088 Package Vending Specification

201 Industrial Boulevard • Kearneysville, WV 25430  
 Phone: (304) 728-7056 • Fax: (304) 725-6579



PAGE: 1 of 1
DATE: 6-23-03
REVISION: 00

**PRODUCT NAME:** Fruitopia Glass Bottle (Canada)

**BOTTLER / COMPANY:** Coca-Cola

**VOLUME:** 16 oz. / 473 mL

**PACKAGE TYPE:** Glass bottle

**HEIGHT:** 7.85 in. / 20.0 cm

**DIAMETER:** 2.86 in. / 7.3 cm

**WEIGHT:** 1.66 lbs. / 0.75 kg

**COUNTRY OF ORIGIN:** Canada



## APPROVED VENDERS

VENDER	RETAINERS		79" CAPACITY	
	Front	Rear	Front	Rear
Gill	6	5	28	28

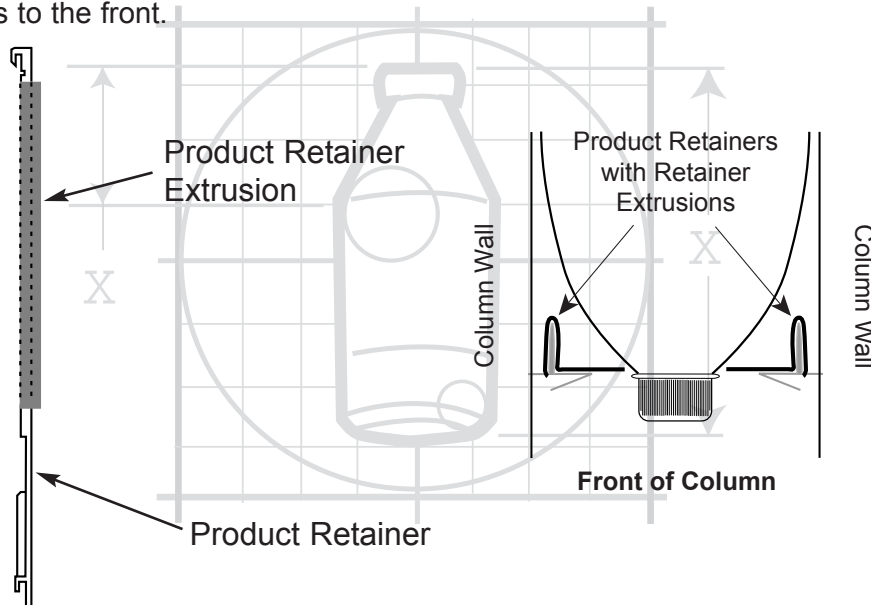
**Kits / Parts:** FRONT COLUMNS: Left product retainer extrusion (815255), right product retainer extrusion (815256); REAR COLUMNS: None required. **NOTE:** Use the same extrusions in both 72" and 79" venders.

## INSTALLATION INSTRUCTIONS:

**REAR COLUMNS:** Load bottles with caps to the rear.

### FRONT COLUMNS:

1. Empty each column in which kits are to be installed.
2. Fasten one retainer extrusion to each product retainer. Fasten the longer extrusion (815256) to the right-side retainer and the shorter one (815255) to the left-side retainer. Install retainers in position 6.
3. Load bottles with caps to the front.



**ANY QUESTIONS??? CONTACT ROYAL VENDORS' CUSTOMER SERVICE DEPARTMENT  
 CALL TOLL FREE (800) 931-9214**