



SERVICE BULLETIN # 00084

201 INDUSTRIAL BOULEVARD • KEARNEYSVILLE, WV 25430

Phone: (304) 728-7056 • Fax: (304) 725-6579 • Toll Free: (800) 931-9214

PAGE: 1 of 1

DATE: 6-19-02

REVISION: 04

SUBJECT: Installation of Mars Validator Model #VFM1 or VFM3 for Coke Venders

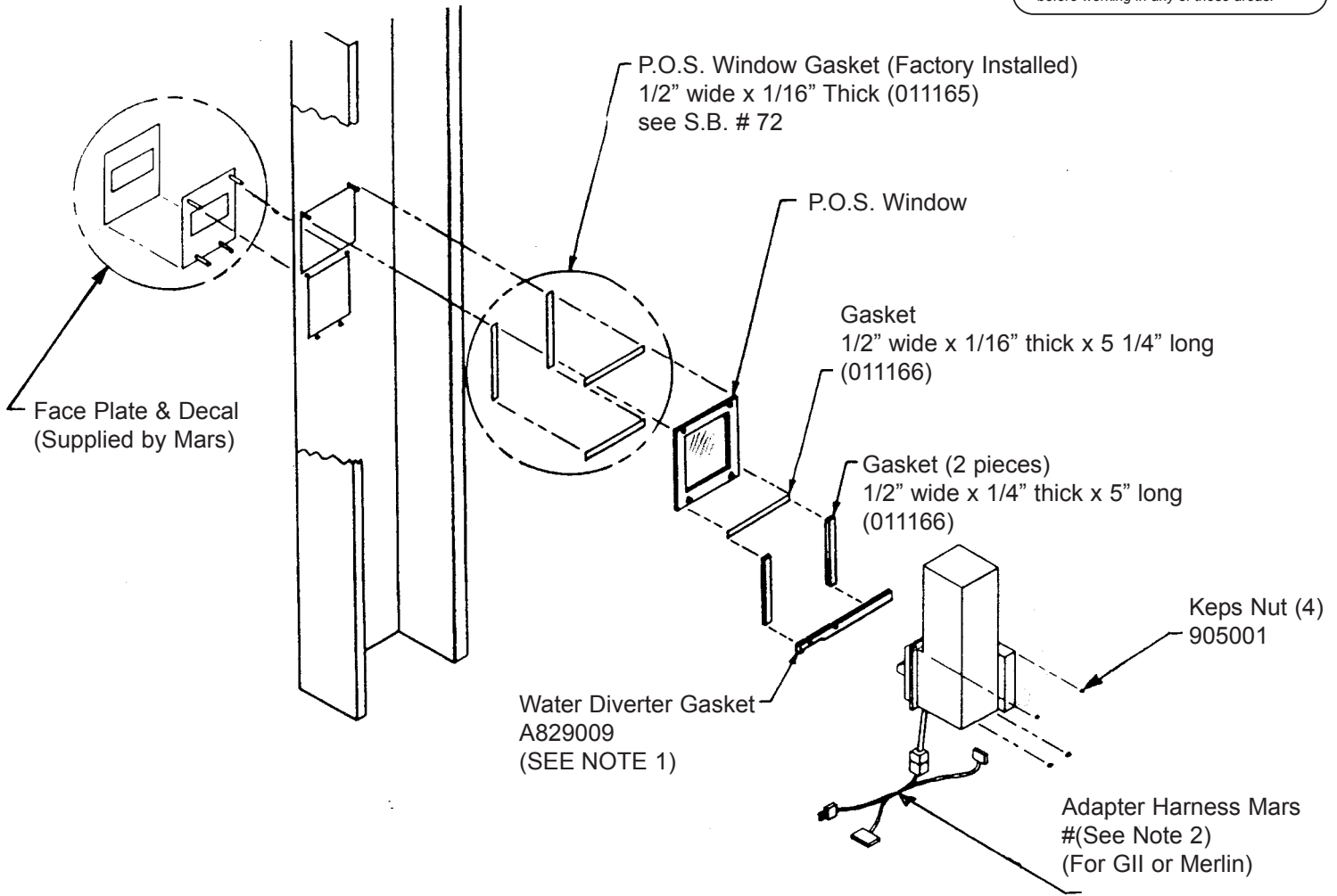
MODELS: All Landscape Coke Venders

KIT NUMBER	KIT DESCRIPTION



The following areas of this vender contain voltage, which can cause serious injury or even death. The main power cord, supplying 110 VAC to the evaporator, EMI filter, and refrigeration system. The power line from the EMI filter to the ballast and transformer. The ballast can produce upwards of 600 volts. Remove power from vender before working in any of these areas.

BEFORE WORKING ON VENDER: Remove power from vender by unplugging vender's main power cord from the AC voltage power source (wall outlet).



NOTE: 1. Water Diverter Gasket is Factory Installed for G-II Venders. For Standard Royal Coke Venders, cut a piece of 1/2" wide x 1/4" thick to 3.50" long. (See Service Bulletin #72)

2. Mars Validator Model #VFM1-L1-U2CS will use Mars Harness #113883
 Mars Validator Model #VFM3-L1-U2CS will use Mars Harness #113870

ANY QUESTIONS??? CONTACT ROYAL VENDORS' CUSTOMER SERVICE DEPARTMENT
CALL TOLL FREE (800) 931-9214