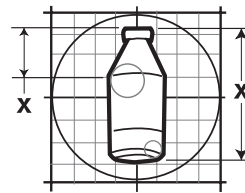




083 Package Vending Specification

201 Industrial Boulevard • Kearneysville, WV 25430
Phone: (304) 728-7056 • Fax: (304) 725-6579



PAGE: 1 of 2
DATE: 9-9-03
REVISION: 01

PRODUCT NAME: Everfresh
BOTTLER / COMPANY: Everfresh Beverages, Inc.
VOLUME: 12 oz. / 355 mL
PACKAGE TYPE: PET
HEIGHT: 6.64 in. / 16.9 cm
WEIGHT: 0.92 lbs. / 0.42 kg
DIAMETER: 2.51 in. / 6.4 cm
COUNTRY OF ORIGIN: USA



APPROVED VENDERS

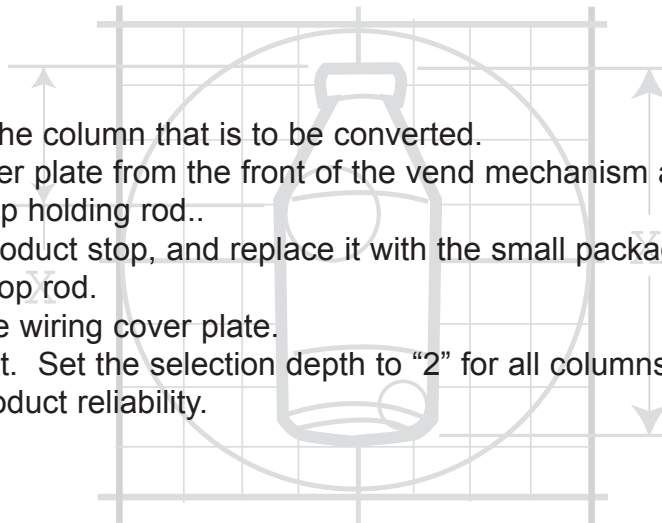
VENDER	RETAINERS		72" CAPACITY	
	Front	Rear	Front	Rear
EZ	32	N/A	52	N/A

Kits / Parts: 324717 Small package filler

INSTALLATION INSTRUCTIONS:

Note: Before working on vender, remove power by unplugging the vender's main power cord from the AC voltage source.

1. Remove product from the column that is to be converted.
2. Remove the wiring cover plate from the front of the vend mechanism assembly (stack).
3. Pull out the product stop holding rod..
4. Remove the existing product stop, and replace it with the small package filler (see illustrations).
5. Reinstall the product stop rod.
6. Replace and secure the wiring cover plate.
7. Load bottles butt-to-butt. Set the selection depth to "2" for all columns being converted.
8. Test vend to ensure product reliability.

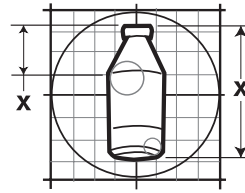


ANY QUESTIONS??? CONTACT ROYAL VENDORS' CUSTOMER SERVICE DEPARTMENT
CALL TOLL FREE (800) 931-9214



083 Package Vending Specification

201 Industrial Boulevard • Kearneysville, WV 25430
Phone: (304) 728-7056 • Fax: (304) 725-6579



PAGE: 2 of 2
DATE: 9-9-03
REVISION: 01

PRODUCT NAME: Everfresh

Figure 1

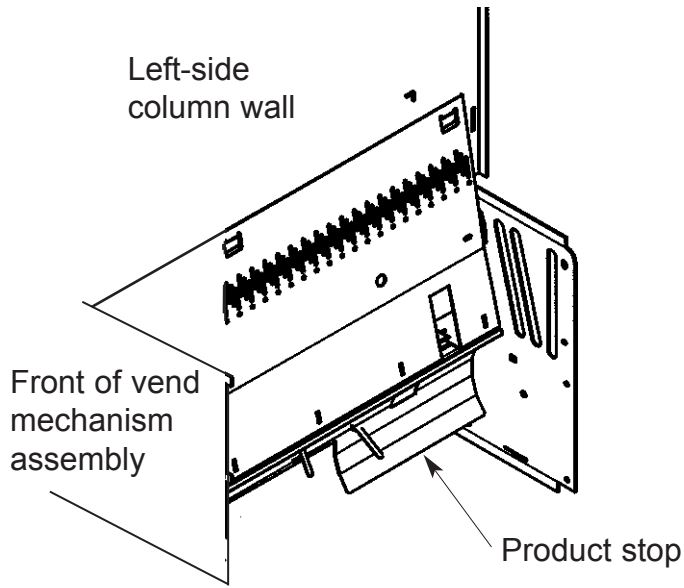


Figure 2

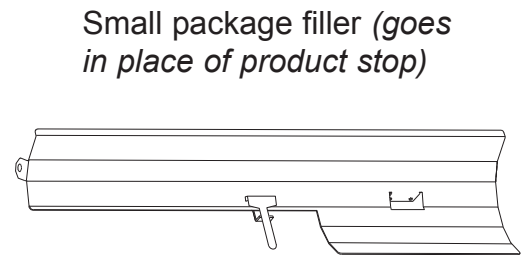
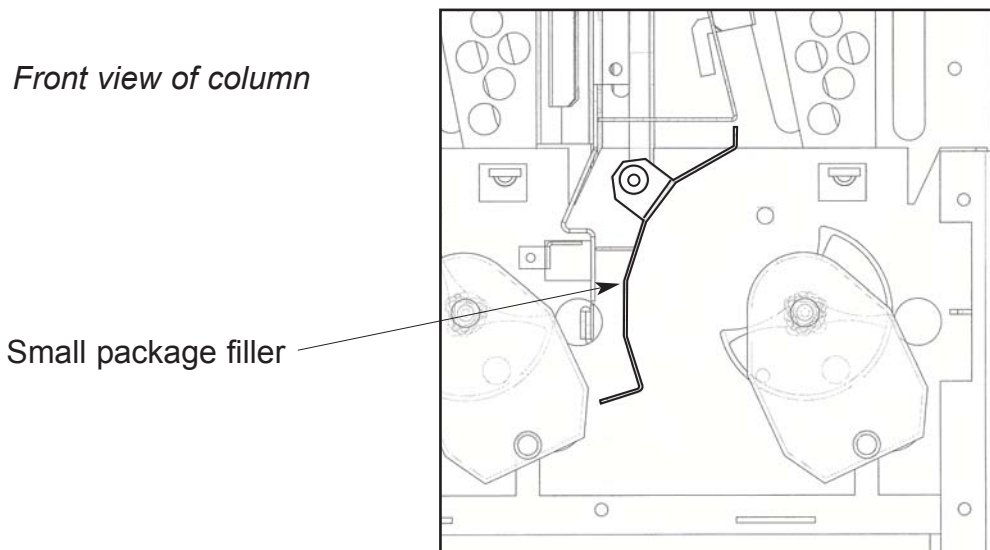


Figure 3



**ANY QUESTIONS??? CONTACT ROYAL VENDORS' CUSTOMER SERVICE DEPARTMENT
CALL TOLL FREE (800) 931-9214**