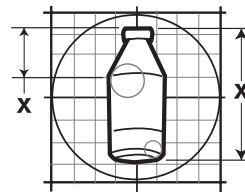




082 Package Vending Specification

201 Industrial Boulevard • Kearneysville, WV 25430
 Phone: (304) 728-7056 • Fax: (304) 725-6579



PAGE: 1 of 1
DATE: 6-3-03
REVISION: 00

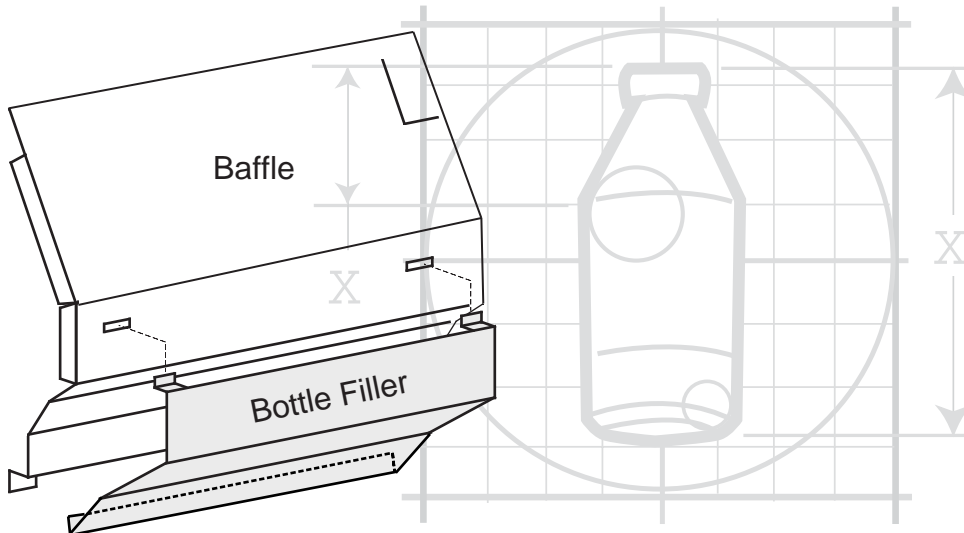
PRODUCT NAME: Raging Cow
BOTTLER / COMPANY: Dr. Pepper
VOLUME: 14 oz. / 414 mL
PACKAGE TYPE: PET
HEIGHT: 7.41 in. / 18.8 cm
DIAMETER: 2.60 in. / 6.6 cm
WEIGHT: 1.08 lbs. / 0.49 kg
COUNTRY OF ORIGIN: USA



APPROVED VENDERS				
VENDER	RETAINERS		72" CAPACITY	
	Front	Rear	Front	Rear
Milk	9	5	26	26

Kits / Parts: 332707 Milk small package filler.

SPECIAL INSTRUCTIONS: Install one small package filler in each column to be converted (see illustration below). Load bottles with caps to the front in front columns and caps to the rear in rear columns.



ANY QUESTIONS??? CONTACT ROYAL VENDORS' CUSTOMER SERVICE DEPARTMENT
CALL TOLL FREE (800) 931-9214