



# SERVICE BULLETIN # 00007

201 INDUSTRIAL BOULEVARD • KEARNEYSVILLE, WV 25430

Phone: (304) 728-7056 • Fax: (304) 725-6579 • Toll Free: (800) 931-9214

PAGE: 1 of 1

DATE: 8-16-00

REVISION: 02

**SUBJECT:** Can Shim / Rod Installation for 10 oz. Cans (Double-Depth Only)

**MODELS:** Electro-Mechanical, Merlin III, Merlin 2000 (Narrow)

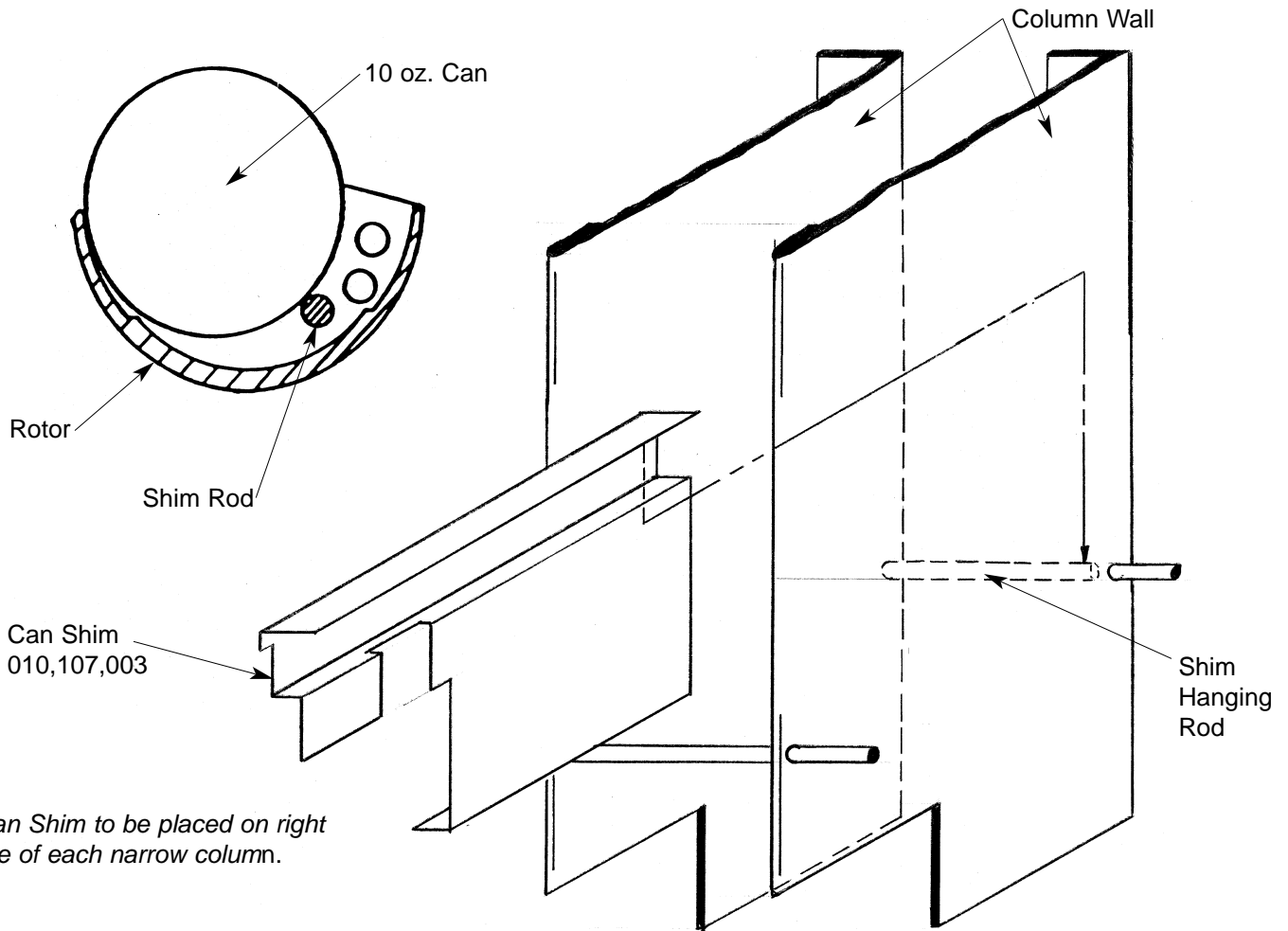
**KIT NUMBER**

**KIT DESCRIPTION (1 kit per narrow column)**

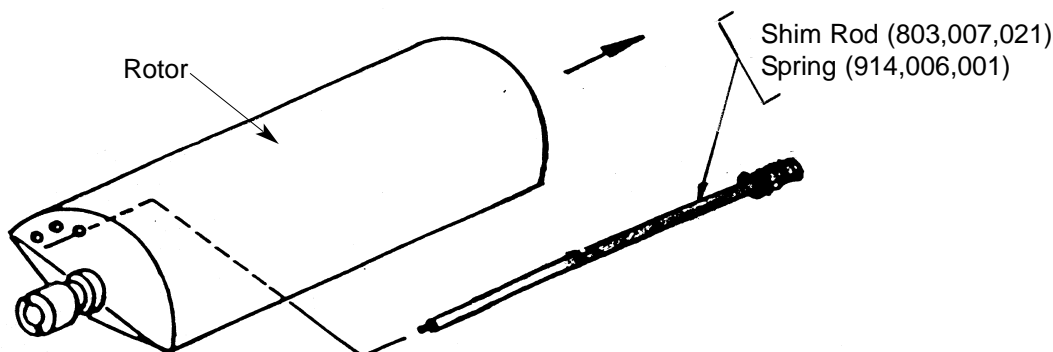
010,160,014

Can Shim / Rod Kit

BEFORE WORKING ON VENDER: Remove power from vender by unplugging vender's main power cord from the AC voltage power source (wall outlet).



\*Can Shim to be placed on right side of each narrow column.



**ANY QUESTIONS??? CONTACT ROYAL VENDORS' CUSTOMER SERVICE DEPARTMENT  
CALL TOLL FREE (800) 931-9214**