



# SERVICE BULLETIN # 00078

201 INDUSTRIAL BOULEVARD • KEARNEYSVILLE, WV 25430

Phone: (304) 728-7056 • Fax: (304) 725-6579 • Toll Free: (800) 931-9214

PAGE: 1 of 4

DATE: 8-18-00

REVISION: 02

**SUBJECT:** Installation of Bottom Door Latch Kit

**MODELS:** All Venders Except Ployvend and Cold Drink Vertical Display with Serial No. 1141 and Greater

| KIT NUMBER | KIT DESCRIPTION  |
|------------|--|
| 011570     | Bottom Door Latch Kit (Vertical Display, 1141 and Greater) |

**BEFORE WORKING ON VENDER:** Remove power from vender by unplugging vender's main power cord from the AC voltage power source (wall outlet).

### Instructions:

1. Remove existing "T" handle stud and replace with stud provided (Part No. 803006).
2. Place the spring (Part No. 914017) onto the stud.
3. Install nyliner (Part No. 916010) into the "T" Handle bracket and place the bracket on stud.  
**Note:** Flange side of nyliner should face to the rear of the door and 1/8" dia. hole in the "T" Handle bracket should be toward the bottom of the door.
4. Use E-Ring to secure the spring and bracket to the stud.
5. Fasten Angle - Bottom latch onto the select panel using a #8-32 x 3/8" sems screw. Line up with pre-punched hole that is beside the "T" Handle stud.
6. Remove the (4) carriage bolts from bottom of the bottom of the vandal panel and install latch ass'y. Secure latch ass'y by using (1) 1/4 x 20 x 1" carriage bolt and (3) 1/4 x 20 1/2" carriage bolts.
7. Snap bushings (Part No. 916010) into cable guides. Using the existing vandal panel carriage bolts, install cable guides on the 2nd and 3rd bolts up from the bottom.
8. Crimp cable sleeve (Part No. 906015) to one end of the cable. Run the cable through the 1/8" dia. hole in the "T" Handle bracket (cable sleeve should be toward the front of the door. Run the cable through both cable guides and the 1/8" dia. hole in the latch. With the "T" Handle bracket and latch in the down position, crimp the second sleeve onto the cable. Make sure the latch is still in the down position after the 2nd sleeve is crimped.
9. Install latch strike (Part No. 011159) using (2) 1/4-20 x 1" self-tapping screws. Use existing holes in support channel.
10. Before closing the door, make sure you can raise & lower the latch by turning the "T" handle.

**ANY QUESTIONS??? CONTACT ROYAL VENDORS' CUSTOMER SERVICE DEPARTMENT  
CALL TOLL FREE (800) 931-9214**



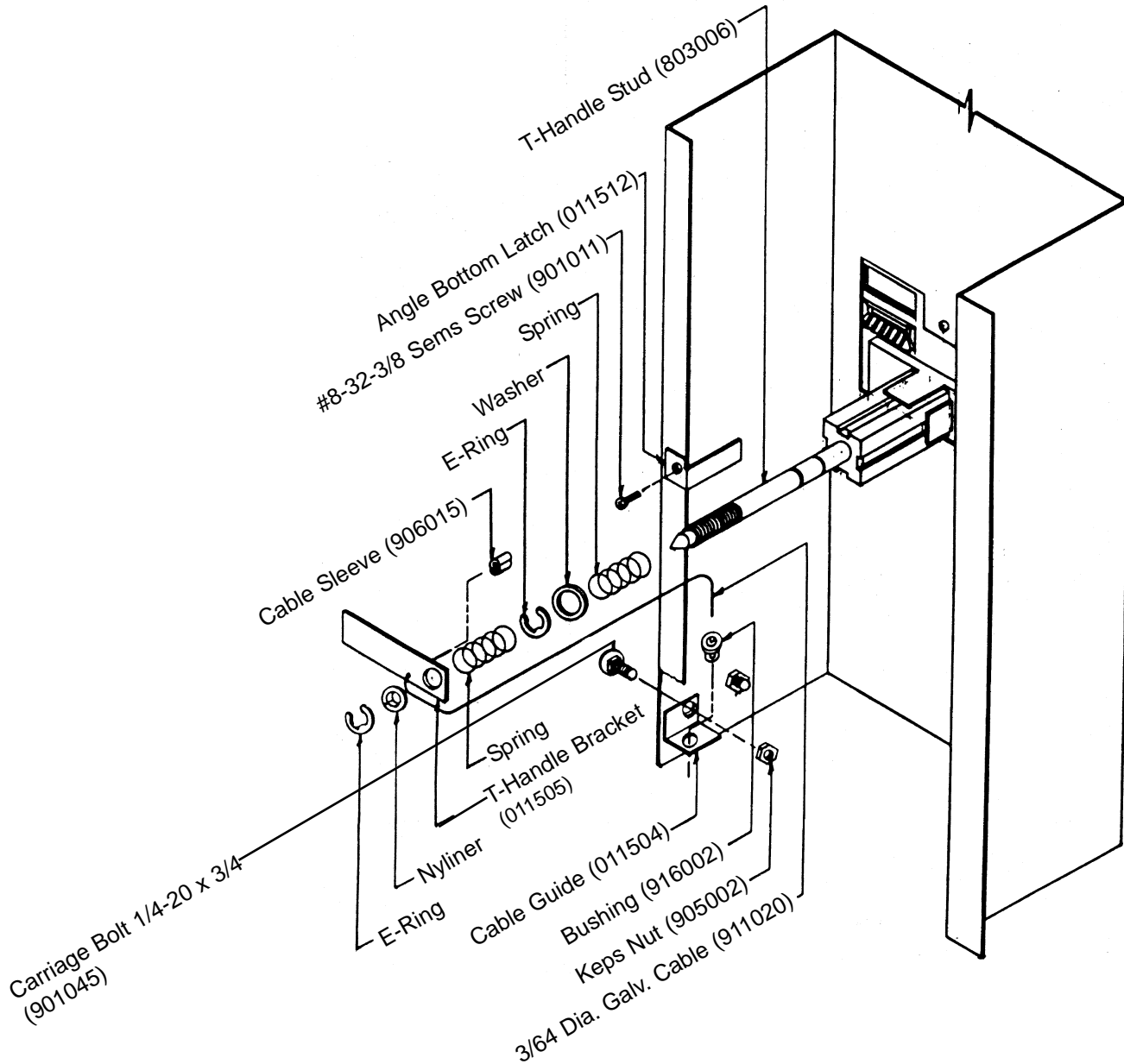
# SERVICE BULLETIN # 00078

201 INDUSTRIAL BOULEVARD • KEARNEYSVILLE, WV 25430  
Phone: (304) 728-7056 • Fax: (304) 725-6579 • Toll Free: (800) 931-9214

|               |
|---------------|
| PAGE: 2 of 4  |
| DATE: 8-18-00 |
| REVISION: 02  |

**SUBJECT:** Installation of Bottom Door Latch Kit

**MODELS:** All Venders Except Ployvend and Cold Drink Vertical Display with Serial No. 1141 and Greater



**ANY QUESTIONS???** CONTACT ROYAL VENDORS' CUSTOMER SERVICE DEPARTMENT  
CALL TOLL FREE (800) 931-9214



# SERVICE BULLETIN # 00078

201 INDUSTRIAL BOULEVARD • KEARNEYSVILLE, WV 25430  
Phone: (304) 728-7056 • Fax: (304) 725-6579 • Toll Free: (800) 931-9214

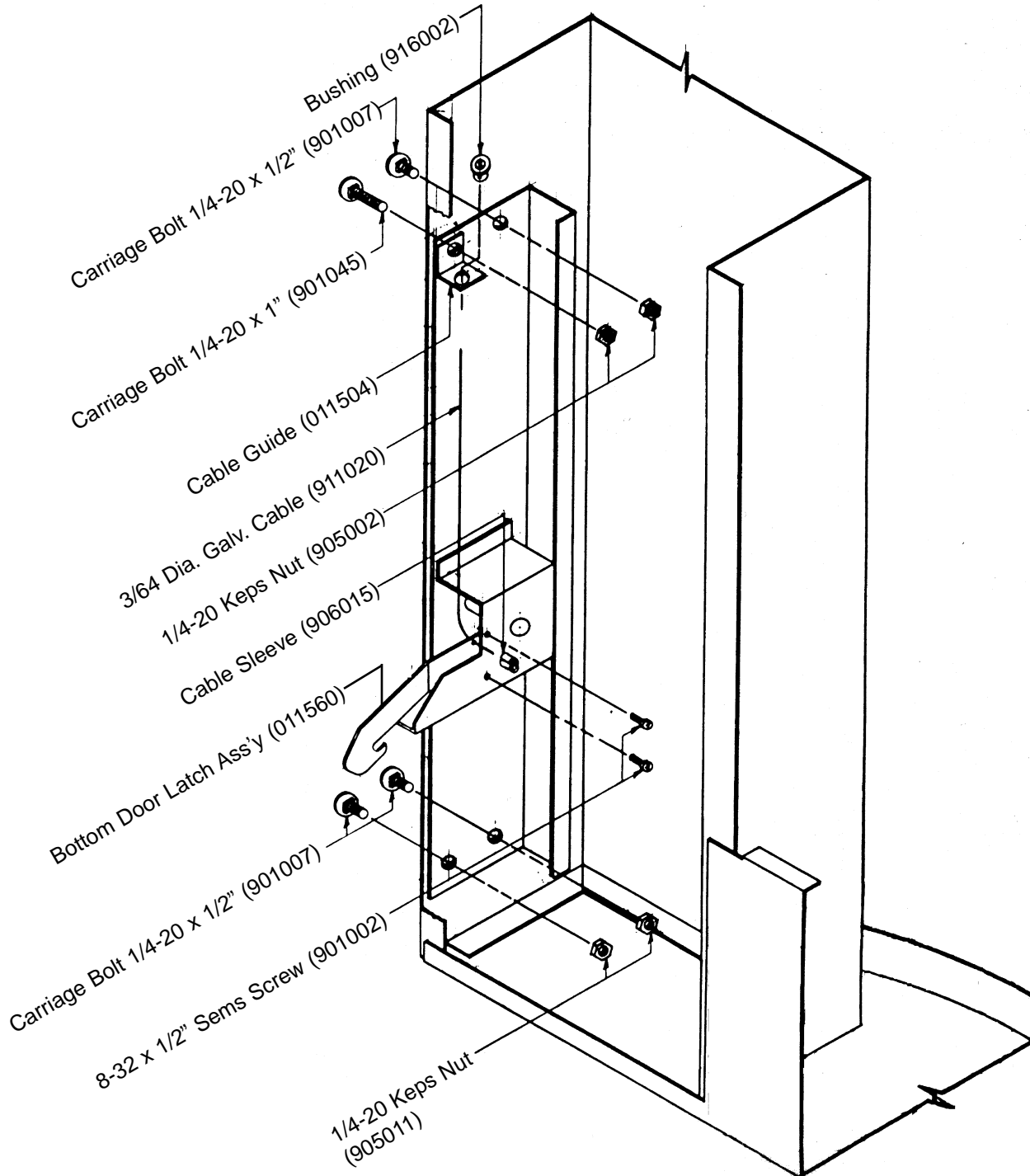
PAGE: 3 of 4

DATE: 8-18-00

REVISION: 02

**SUBJECT:** Installation of Bottom Door Latch Kit

**MODELS:** All Venders Except Ployvend and Cold Drink Vertical Display with Serial No. 1141 and Greater



**ANY QUESTIONS???** CONTACT ROYAL VENDORS' CUSTOMER SERVICE DEPARTMENT  
CALL TOLL FREE (800) 931-9214



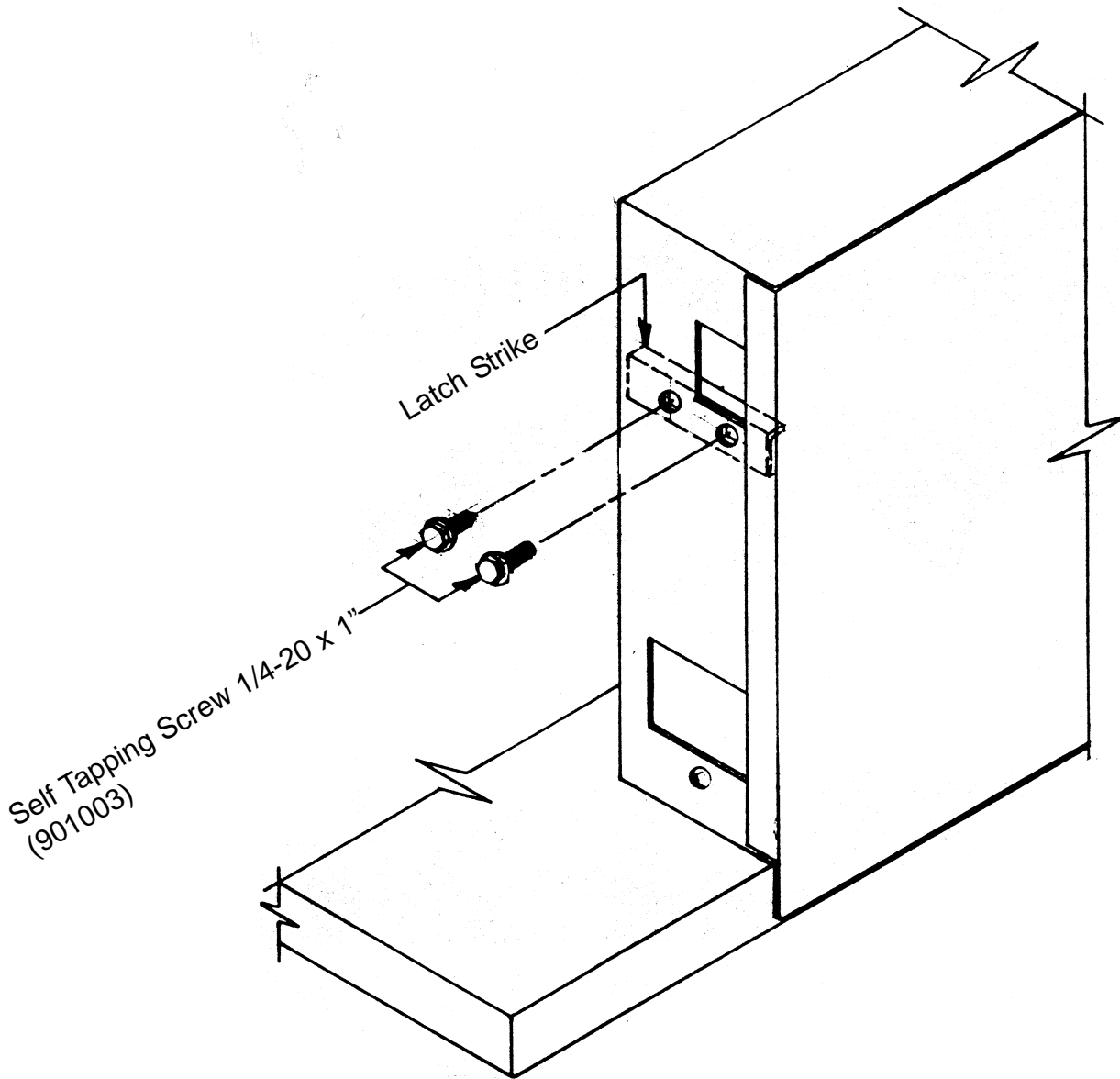
# SERVICE BULLETIN # 00078

201 INDUSTRIAL BOULEVARD • KEARNEYSVILLE, WV 25430  
Phone: (304) 728-7056 • Fax: (304) 725-6579 • Toll Free: (800) 931-9214

|               |
|---------------|
| PAGE: 4 of 4  |
| DATE: 8-18-00 |
| REVISION: 02  |

**SUBJECT:** Installation of Bottom Door Latch Kit

**MODELS:** All Venders Except Ployvend and Cold Drink Vertical Display with Serial No. 1141 and Greater



**ANY QUESTIONS??? CONTACT ROYAL VENDORS' CUSTOMER SERVICE DEPARTMENT  
CALL TOLL FREE (800) 931-9214**