



SERVICE BULLETIN # 00072

201 INDUSTRIAL BOULEVARD • KEARNEYSVILLE, WV 25430

Phone: (304) 728-7056 • Fax: (304) 725-6579 • Toll Free: (800) 931-9214

PAGE: 1 of 1

DATE: 8-18-00

REVISION: 02

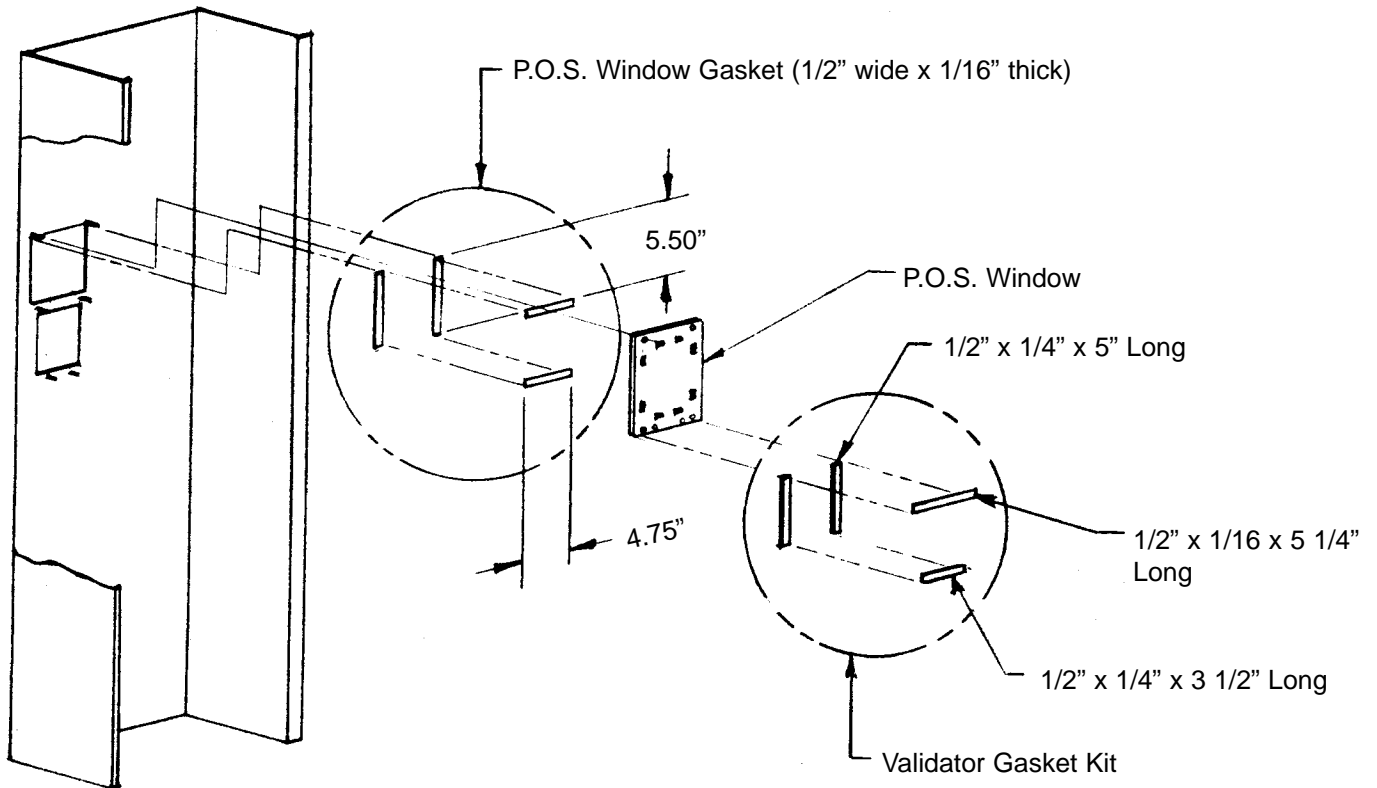
SUBJECT: Installation of Validator Gasket for Coke Venders

MODELS: Landscape Coke Venders

KIT NUMBER	KIT DESCRIPTION
011165	P.O.S. Window Gasket
011166	Validator Plate Gasket

BEFORE WORKING ON VENDER: Remove power from vender by unplugging vender's main power cord from the AC voltage power source (wall outlet).

NOTES: Both Gaskets are to be cut to the specified lengths shown below.



ANY QUESTIONS??? CONTACT ROYAL VENDORS' CUSTOMER SERVICE DEPARTMENT
CALL TOLL FREE (800) 931-9214