



# SERVICE BULLETIN # 00006

201 INDUSTRIAL BOULEVARD • KEARNEYSVILLE, WV 25430

Phone: (304) 728-7056 • Fax: (304) 725-6579 • Toll Free: (800) 931-9214

PAGE: 1 of 1

DATE: 8-16-00

REVISION: 02

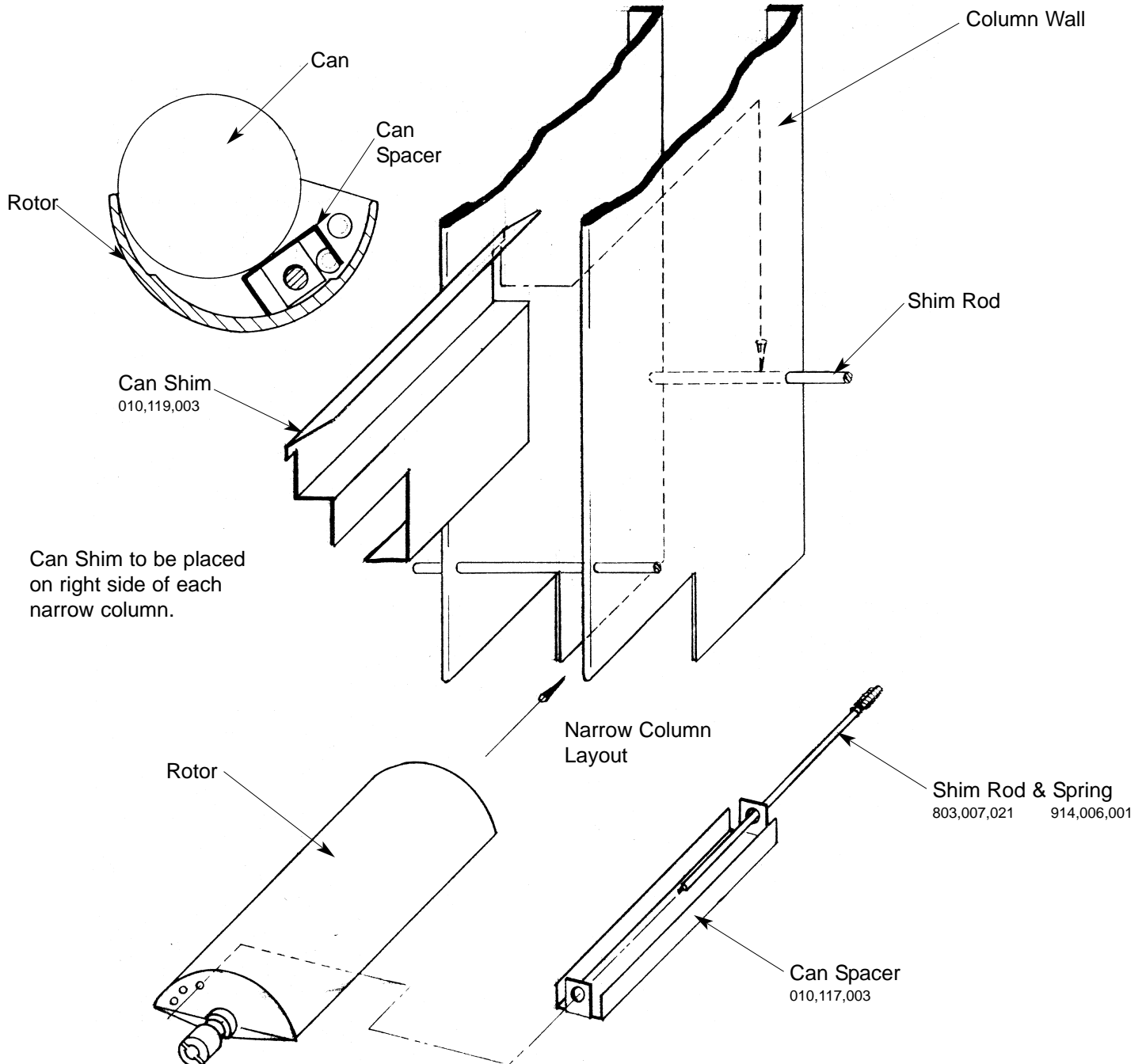
**SUBJECT:** Can Shim / Can Spacer Installation for 6 oz. Cans

**MODELS:** Electro-Mechanical, Merlin III, Merlin 2000

**KIT NUMBER**      **KIT DESCRIPTION (1 kit per narrow column)**

010180      Can Shim / Can Spacer Kit

**BEFORE WORKING ON VENDER:** Remove power from vender by unplugging vender's main power cord from the AC voltage power source (wall outlet).



**ANY QUESTIONS???** CONTACT ROYAL VENDORS' CUSTOMER SERVICE DEPARTMENT  
CALL TOLL FREE (800) 931-9214