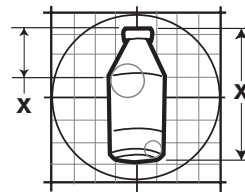




067 Package Vending Specification

201 Industrial Boulevard • Kearneysville, WV 25430
 Phone: (304) 728-7056 • Fax: (304) 725-6579



PAGE: 1 of 1
DATE: 1-7-03
REVISION: 00

PRODUCT NAME: Mad River
BOTTLER / COMPANY: Coca-Cola
VOLUME: 20 oz. / 592 mL
PACKAGE TYPE: PET
HEIGHT: 7.99 in. / 20.3 cm
DIAMETER: 2.83 in. / 7.2 cm
WEIGHT: 1.4 lbs. / 0.64 kg
COUNTRY OF ORIGIN: USA

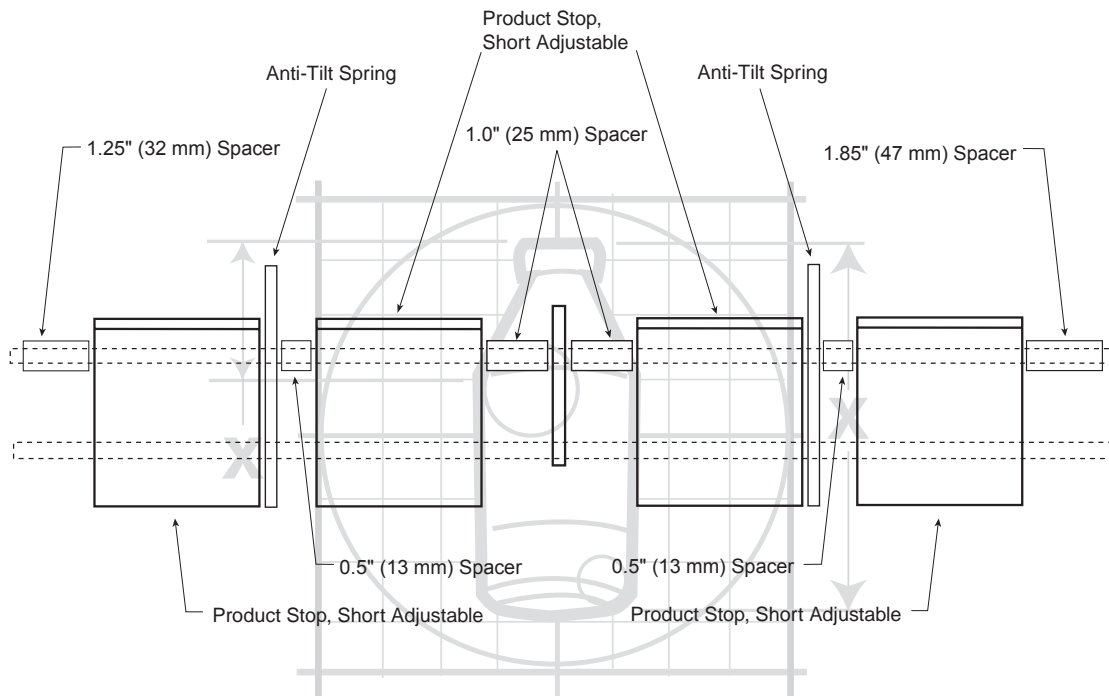


APPROVED VENDERS

VENDER	RETAINERS		72" CAPACITY	
	Front	Rear	Front	Rear
GIII	9	5	24	24

Kits / Parts: Front column: p/n 290155; rear column: p/n 290156.

INSTRUCTIONS: Install kit so that spacers, product stops, and anti-tilt springs will be in the order shown below. Install bottles with caps to the front in front columns and caps to the rear in rear columns.



REAR COLUMN

FRONT COLUMN

**ANY QUESTIONS??? CONTACT ROYAL VENDORS' CUSTOMER SERVICE DEPARTMENT
 CALL TOLL FREE (800) 931-9214**