



SERVICE BULLETIN # 00063

201 INDUSTRIAL BOULEVARD • KEARNEYSVILLE, WV 25430

Phone: (304) 728-7056 • Fax: (304) 725-6579 • Toll Free: (800) 931-9214

PAGE: 1 of 1

DATE: 8-17-00

REVISION: 01

SUBJECT: Adjusting Robert Shaw Cold Control Thermostat for different altitude

MODELS: All Venders with a Robert Shaw Thermostat

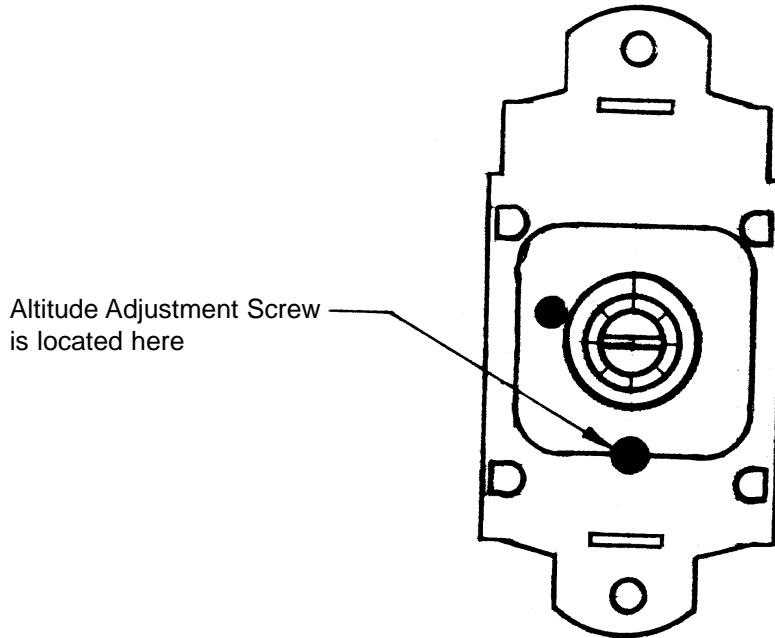
KIT NUMBER

KIT DESCRIPTION

BEFORE WORKING ON VENDER: Remove power from vender by unplugging vender's main power cord from the AC voltage power source (wall outlet).

Directions:

When setting a Robert Shaw thermostat in higher altitudes, turn altitude adjustment screw (indicated in the diagram below) 1/8 of a turn (or 45 degrees) clockwise for every two thousand feet above sea level.



ANY QUESTIONS??? CONTACT ROYAL VENDORS' CUSTOMER SERVICE DEPARTMENT
CALL TOLL FREE (800) 931-9214