



# SERVICE BULLETIN # 00062

201 INDUSTRIAL BOULEVARD • KEARNEYSVILLE, WV 25430

Phone: (304) 728-7056 • Fax: (304) 725-6579 • Toll Free: (800) 931-9214

PAGE: 1 of 1

DATE: 8-17-00

REVISION: 02

**SUBJECT:** Circuit Board Test Box Mounting Legs

**MODELS:** All Circuit Board Test Boxes

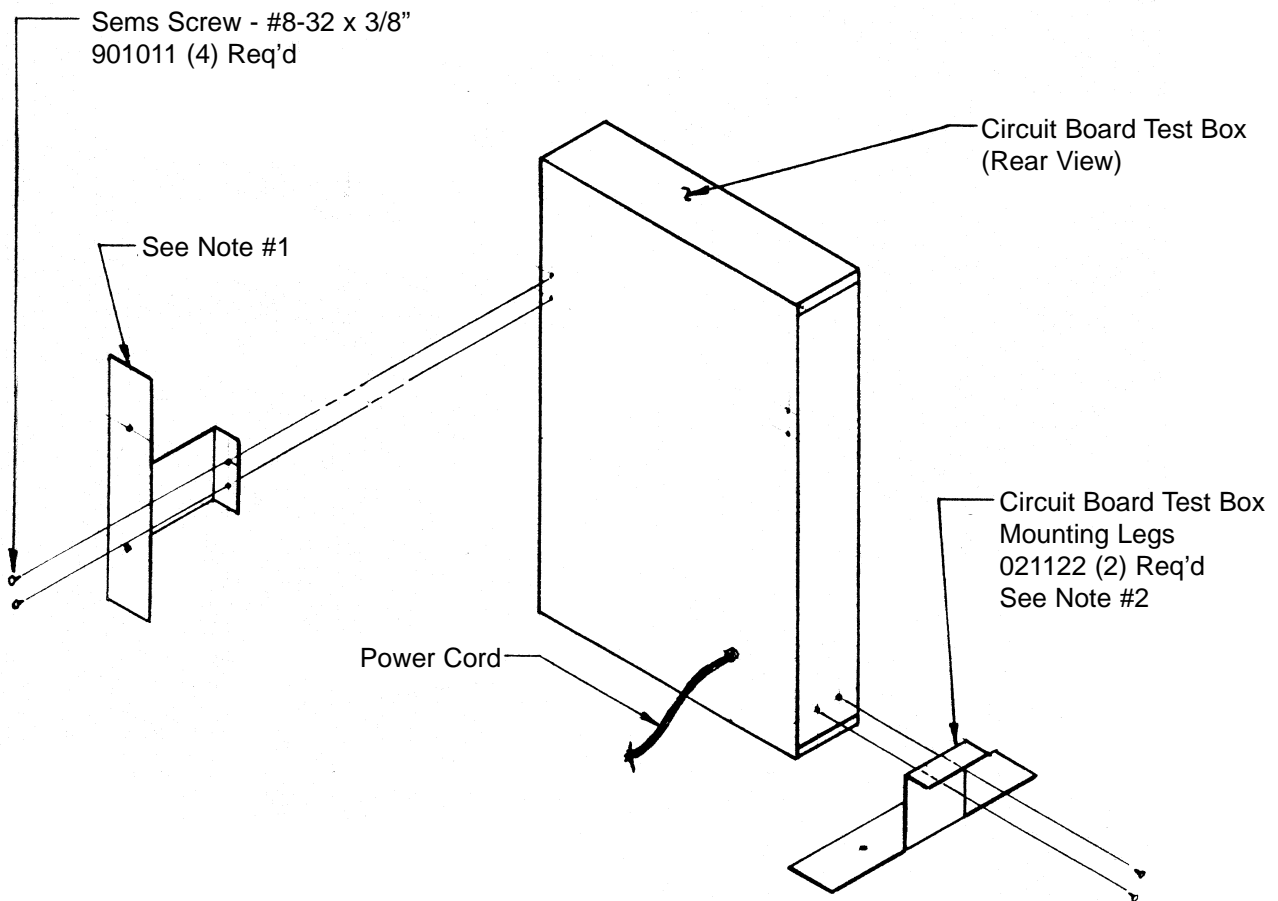
**KIT NUMBER**

**KIT DESCRIPTION**

**BEFORE WORKING ON VENDER:** Remove power from vender by unplugging vender's main power cord from the AC voltage power source (wall outlet).

**Notes:**

1. Connect both legs (as illustrated) to the mount box, then secure to a wall or any vertical surface.
2. Mount both legs in this position to set box on floor or any horizontal surface.



**ANY QUESTIONS??? CONTACT ROYAL VENDORS' CUSTOMER SERVICE DEPARTMENT  
CALL TOLL FREE (800) 931-9214**