



SERVICE BULLETIN # 00061

201 INDUSTRIAL BOULEVARD • KEARNEYSVILLE, WV 25430

Phone: (304) 728-7056 • Fax: (304) 725-6579 • Toll Free: (800) 931-9214

PAGE: 1 of 1

DATE: 8-17-00

REVISION: 02

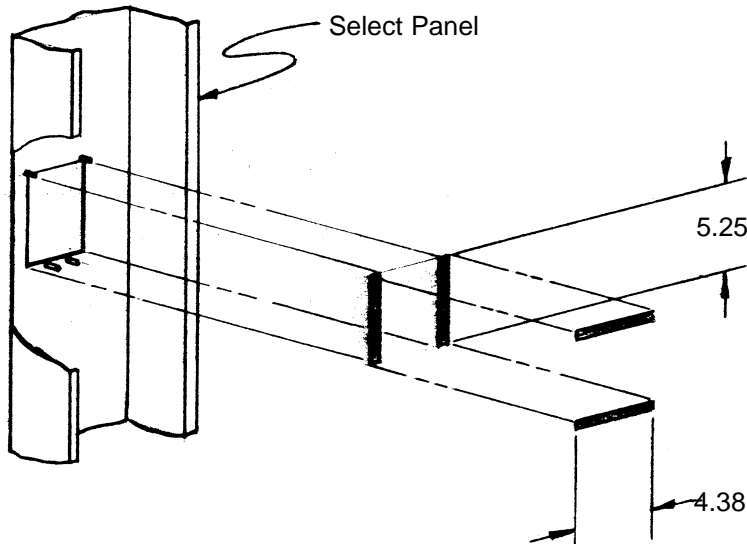
SUBJECT: Installation of Validator Gasket

MODELS: Pepsi/Cold Drink Venders with a Validator

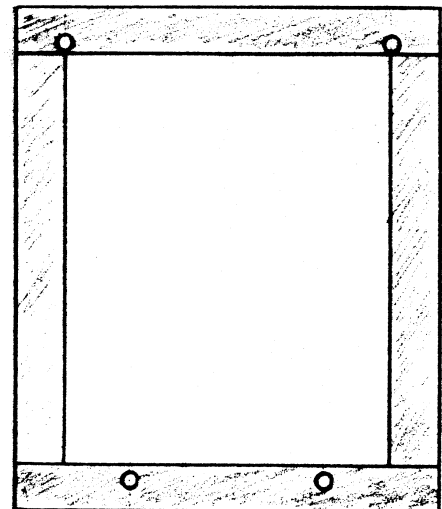
KIT NUMBER	KIT DESCRIPTION
011143	Validator Gasket Kit

BEFORE WORKING ON VENDER: Remove power from vender by unplugging vender's main power cord from the AC voltage power source (wall outlet).

Note: Validator Gasket is shipped in 2 foot lengths and must be cut to the specified lengths. (see below)



Shown in Position



ANY QUESTIONS??? CONTACT ROYAL VENDORS' CUSTOMER SERVICE DEPARTMENT
CALL TOLL FREE (800) 931-9214