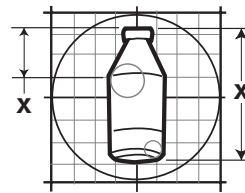




060 Package Vending Specification

201 Industrial Boulevard • Kearneysville, WV 25430
 Phone: (304) 728-7056 • Fax: (304) 725-6579



PAGE: 1 of 1
DATE: 9-18-02
REVISION: 01

PRODUCT NAME: Crystal Milk
BOTTLER / COMPANY: Crystal Creamery Dairy
VOLUME: 16 oz. / 473 mL
PACKAGE TYPE: PET
HEIGHT: 7.4 in. / 18.8 cm
DIAMETER: 2.6 in. / 6.6 cm
WEIGHT: 1.16 lbs. / 0.53 kg
COUNTRY OF ORIGIN: USA



APPROVED VENDERS				
VENDER	RETAINERS		72" CAPACITY	
	Front	Rear	Front	Rear
Milk	9	See below	26	26

Kits / Parts: Crystal Milk Front Column Kit (p/n 332101), Crystal Milk Rear Column Kit (p/n 332102).

SPECIAL INSTRUCTIONS: Front columns: Install divider extrusions from kit on front channels (see figure 1). Install small package filler from kit (see figure 2). Set product retainer to position 9. Load bottles with caps to the front. **Rear columns:** Install small package filler from kit (see figure 2). Set rear spacers to position 1. Install product retainers from kit in position 11 for left and right sides. Load bottles with caps to the front.

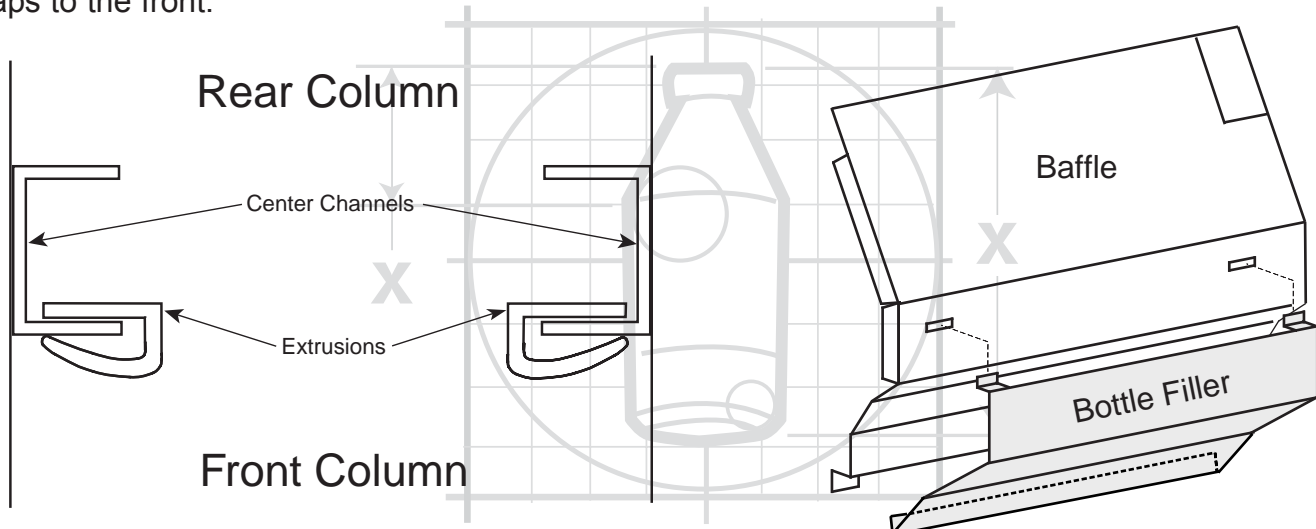


Figure 1

Figure 2

**ANY QUESTIONS??? CONTACT ROYAL VENDORS' CUSTOMER SERVICE DEPARTMENT
 CALL TOLL FREE (800) 931-9214**