



SERVICE BULLETIN # 00005

201 INDUSTRIAL BOULEVARD • KEARNEYSVILLE, WV 25430

Phone: (304) 728-7056 • Fax: (304) 725-6579 • Toll Free: (800) 931-9214

PAGE: 1 of 1

DATE: 6-18-02

REVISION: 05

SUBJECT: Installation Instructions for a Vend Counter Kit (110 volt)

of People
Required



MODELS: Electro-Mechanical

KIT NUMBER	KIT DESCRIPTION (1 kit per vender)
010150	Vend Counter Assy

TOOLS REQUIRED: Self-drilling screw 8 x 1/2"

ESTIMATED TIME: 2 minutes

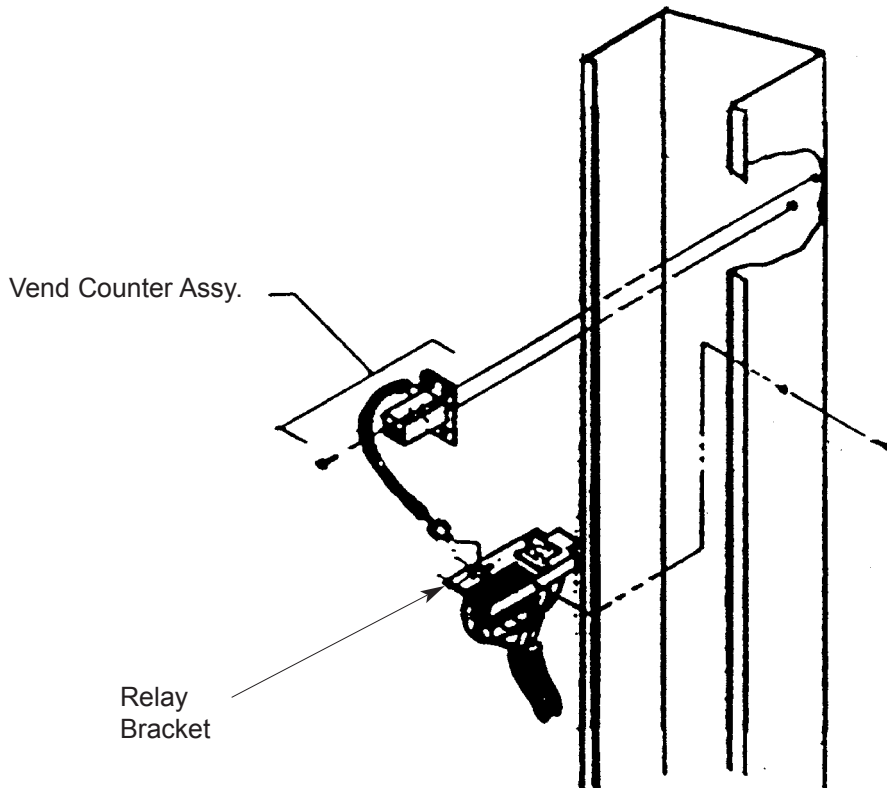


The following areas of this vender contain voltage, which can cause serious injury or even death. The main power cord, supplying 110 VAC to the evaporator, EMI filter, and refrigeration system. The power line from the EMI filter to the ballast and transformer. The ballast can produce upwards of 600 volts. Remove power from vender before working in any of these areas.

BEFORE WORKING ON VENDER: Remove power from vender by unplugging vender's main power cord from the AC voltage power source.

INSTRUCTIONS:

1. Two holes have been provided, located to the upper right of the coin insert, when looking into the back of the control panel.
2. Mount counter into control panel, with the two screws provided.
3. Connect the 2-way Mate-N-Lok plug into the mating cap found on relay bracket. (See illustration)



ANY QUESTIONS??? CONTACT ROYAL VENDORS' CUSTOMER SERVICE DEPARTMENT
CALL TOLL FREE (800) 931-9214