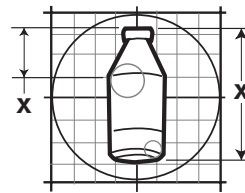




058 Package Vending Specification

201 Industrial Boulevard • Kearneysville, WV 25430
 Phone: (304) 728-7056 • Fax: (304) 725-6579



PAGE: 1 of 1
DATE: 7-17-02
REVISION: 00

PRODUCT NAME: Hershey's Milkshake
BOTTLER / COMPANY: Morningstar Foods Inc.
VOLUME: 14 oz. / 414 mL
PACKAGE TYPE: PET
HEIGHT: 7.6 in. / 19.3 cm
DIAMETER: 2.55 in. / 6.5 cm
WEIGHT: 1.08 lbs. / 0.49 kg
COUNTRY OF ORIGIN: USA

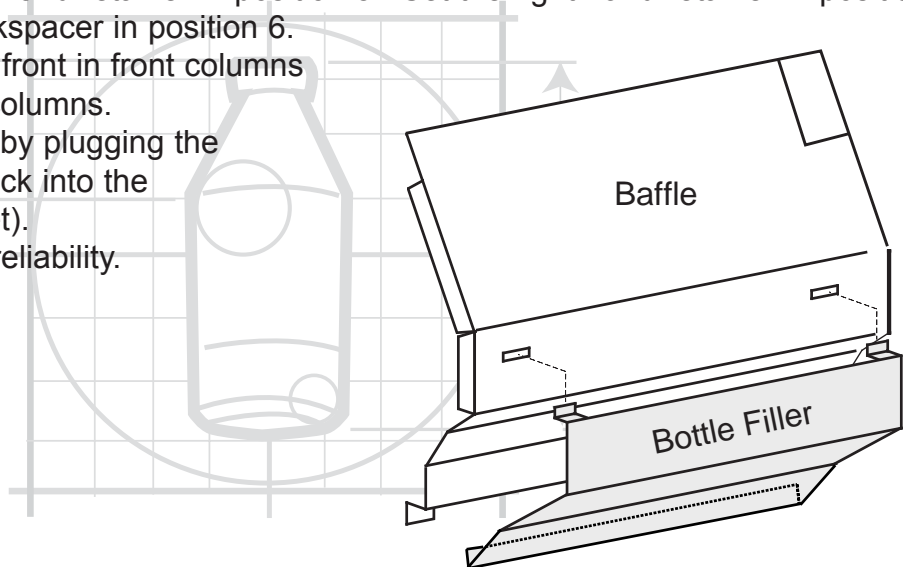


APPROVED VENDERS				
VENDER	RETAINERS		72" CAPACITY	
	Front	Rear	Front	Rear
Milk	L8/R9	6	26	26

Kits / Parts: 332707 Milk small package filler.

INSTALLATION INSTRUCTIONS:

1. Remove power to the vender by removing the vender's main power cord from the AC voltage source (wall outlet).
2. Remove existing product from column that you intend to convert.
3. Mount small package filler on left-hand side of column. (see illustration)
4. **Front columns:** Set the left-hand retainer in position 8. Set the right-hand retainer in position 9.
Rear columns: Set the backspacer in position 6.
5. Load bottles with caps to the front in front columns and caps to the rear in rear columns.
6. Restore power to the vender by plugging the vender's main power cord back into the AC voltage source (wall outlet).
7. Test vend to ensure product reliability.



**ANY QUESTIONS??? CONTACT ROYAL VENDORS' CUSTOMER SERVICE DEPARTMENT
 CALL TOLL FREE (800) 931-9214**