



# Helpful Hints clear & easy

# 055

426 Industrial Boulevard • Kearneysville WV 25430-2776 • USA  
 Telephone: +1 304 728 7056 • technicalinquiry@royalvendors.com  
 Toll-free in North America: 1 800 931 9214 • Fax: +1 304 725 4016  
 Canada: +1 905 738 5777 • Mexico: +52 55 5203 6887  
 Europe: +49 2158 95 1000 • Australia: +61 2 9890 5433

Page: 1 of 1

Date: 16 Nov 2011

Revision: 00

**SUBJECT:** External DEX Harness Installation in RVV 500

Number of  
People  
Required



**MODELS:** RVV 500

**TOOLS REQUIRED:** None

**ESTIMATED TIME:** <5 minutes

**INFORMATION:** This Helpful Hint describes the procedure for installing an external DEX harness (part number 842095) in the RVV 500.



The following areas of this vender contain voltage which can cause serious injury or even death: the main power cord, supplying 115-230 VAC to the evaporator, EMI filter, and refrigeration system; the power line from the EMI filter to the ballast and transformer; and the ballast, which can produce upwards of 600 volts. Remove all power from the vender before working in any of these areas.

### DESCRIPTION:

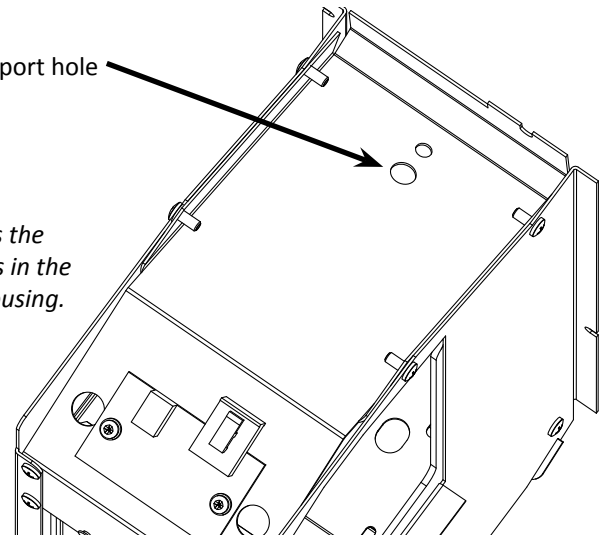
The mounting hole for the external DEX jack is already present in the RVV 500 port box housing, as shown in Figure 1. Route the DEX harnessing along with the port / delivery door switch harness from the port box housing up to the VMC. Plug the DEX harness into the VMC at pinout P1, positions 7-10, as shown in Figure 2.

**Figure 1.** DEX hole location.

Top angle view of port box housing assembly area shown here, removed from vender for clarity.

DEX port hole

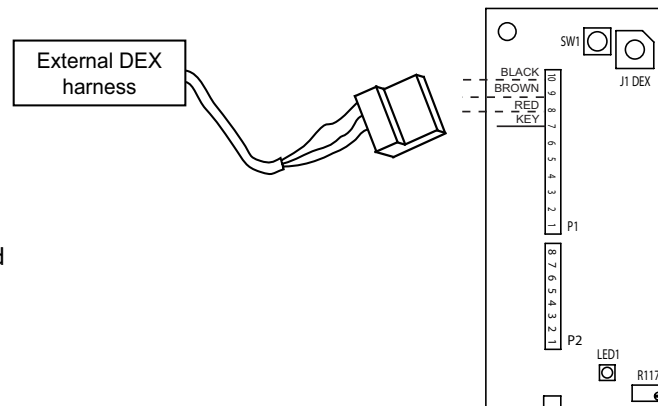
The DEX port hole is the larger of the two holes in the top of the port box housing.



**Figure 2.** External DEX harness location at VMC.

External DEX harness

Plug the external DEX harness into the control board at pinout P1, pins 7-10, as shown here.



**ANY QUESTIONS? CONTACT ROYAL VENDORS' CUSTOMER SERVICE DEPARTMENT  
IN NORTH AMERICA, CALL TOLL FREE 1 800 931 9214**