



# Helpful Hints clear & easy

# 054

Page: 1 of 1

Date: 15 Nov 2011

Revision: 00

426 Industrial Boulevard • Kearneysville WV 25430-2776 • USA  
Telephone: +1 304 728 7056 • technicalinquiry@royalvendors.com  
Toll-free in North America: 1 800 931 9214 • Fax: +1 304 725 4016  
Canada: +1 905 738 5777 • Mexico: +52 55 5203 6887  
Europe: +49 2158 95 1000 • Australia: +61 2 9890 5433

**SUBJECT:** External DEX Harness Installation in HVV

Number of  
People  
Required



**MODELS:** Royal HVV

**TOOLS REQUIRED:** Drill with 7/16" (11 mm) bit (*only needed if no DEX port hole present*)

**ESTIMATED TIME:** <5 minutes

**INFORMATION:** This Helpful Hint describes the procedure for installing an external DEX harness (part number 842095) in a Royal Vendors HVV.



The following areas of this vender contain voltage which can cause serious injury or even death: the main power cord, supplying 115-230 VAC to the evaporator, EMI filter, and refrigeration system; the power line from the EMI filter to the ballast and transformer; and the ballast, which can produce upwards of 600 volts. Remove all power from the vender before working in any of these areas.

### DESCRIPTION:

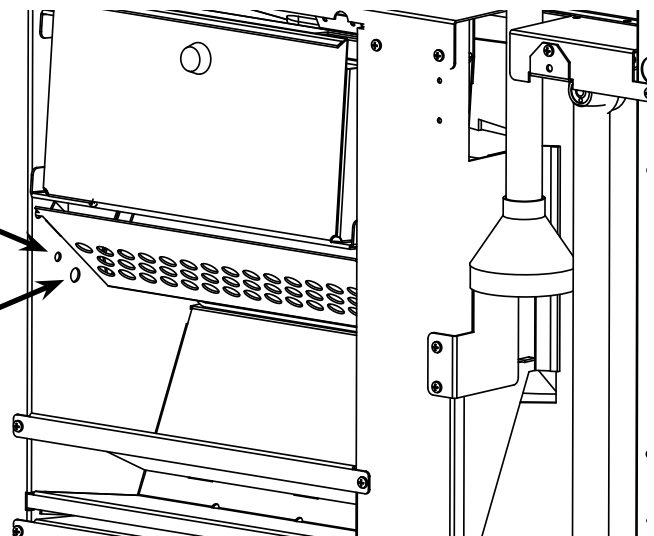
Most HVVs will already have a DEX jack hole adjacent to the jack for battery back-up of the electronic lock mechanism, as shown in Figure 1. If no hole is present for the DEX jack, use a drill with 7/16" (11 mm) bit to create a hole for installation of the DEX jack. Route the DEX harnessing to the control board, located in the top of the control panel assembly. Plug the DEX harness into the control board at pinout P1, positions 7-10, as shown in Figure 2.

**Figure 1.** DEX hole location.

Rear of door port assembly area shown.

Battery back-up port hole

DEX port hole

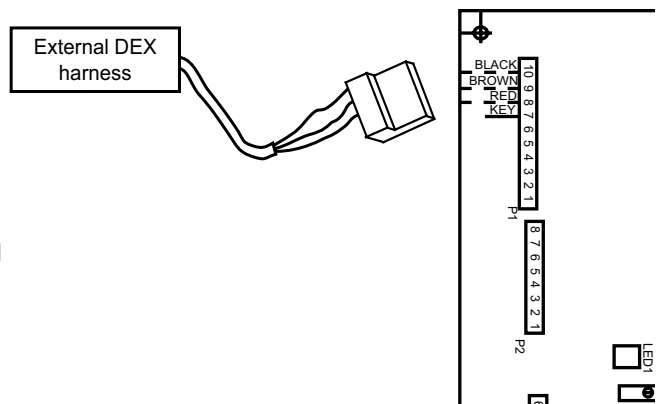


These holes are not visible from the front of the vender's door.

**Figure 2.** External DEX harness location at HVV control board.

External DEX harness

Plug the external DEX harness into the control board at pinout P1, pins 7-10, as shown here.



**ANY QUESTIONS? CONTACT ROYAL VENDORS' CUSTOMER SERVICE DEPARTMENT  
IN NORTH AMERICA, CALL TOLL FREE 1 800 931 9214**