



SERVICE BULLETIN # 00051

201 INDUSTRIAL BOULEVARD • KEARNEYSVILLE, WV 25430
Phone: (304) 728-7056 • Fax: (304) 725-6579 • Toll Free: (800) 931-9214

PAGE: 1 of 1
DATE: 6-19-02
REVISION: 04

SUBJECT: Alarm Installation

MODELS: Merlin 2000 with version 5.00 and/or 6.00 Control Boards

KIT NUMBER	KIT DESCRIPTION
011122	Merlin 2000 Alarm Kit



The following areas of this vender contain voltage, which can cause serious injury or even death. The main power cord, supplying 110 VAC to the evaporator, EMI filter, and refrigeration system. The power line from the EMI filter to the ballast and transformer. The ballast can produce upwards of 600 volts. Remove power from vender before working in any of these areas.

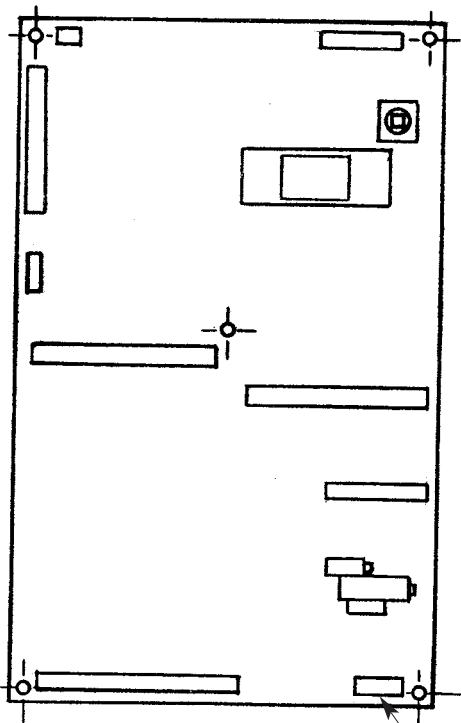
BEFORE WORKING ON VENDER: Remove power from vender by unplugging vender's main power cord from the AC voltage power source (wall outlet).

6-32 x 3/8" Screw (901004)
(2) Req'd

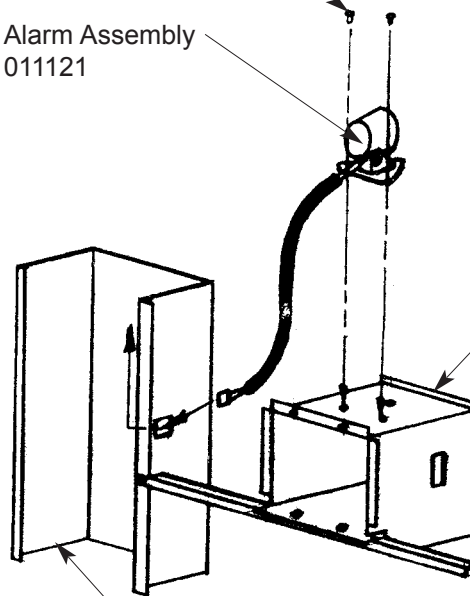
Alarm Assembly
011121

Port

Select Panel



Connect Here



Note: Square hole in select panel may or may not be present in all venders.

**ANY QUESTIONS??? CONTACT ROYAL VENDORS' CUSTOMER SERVICE DEPARTMENT
CALL TOLL FREE (800) 931-9214**