



SERVICE BULLETIN # 00048

201 INDUSTRIAL BOULEVARD • KEARNEYSVILLE, WV 25430

Phone: (304) 728-7056 • Fax: (304) 725-6579 • Toll Free: (800) 931-9214

PAGE: 1 of 1

DATE: 8-17-00

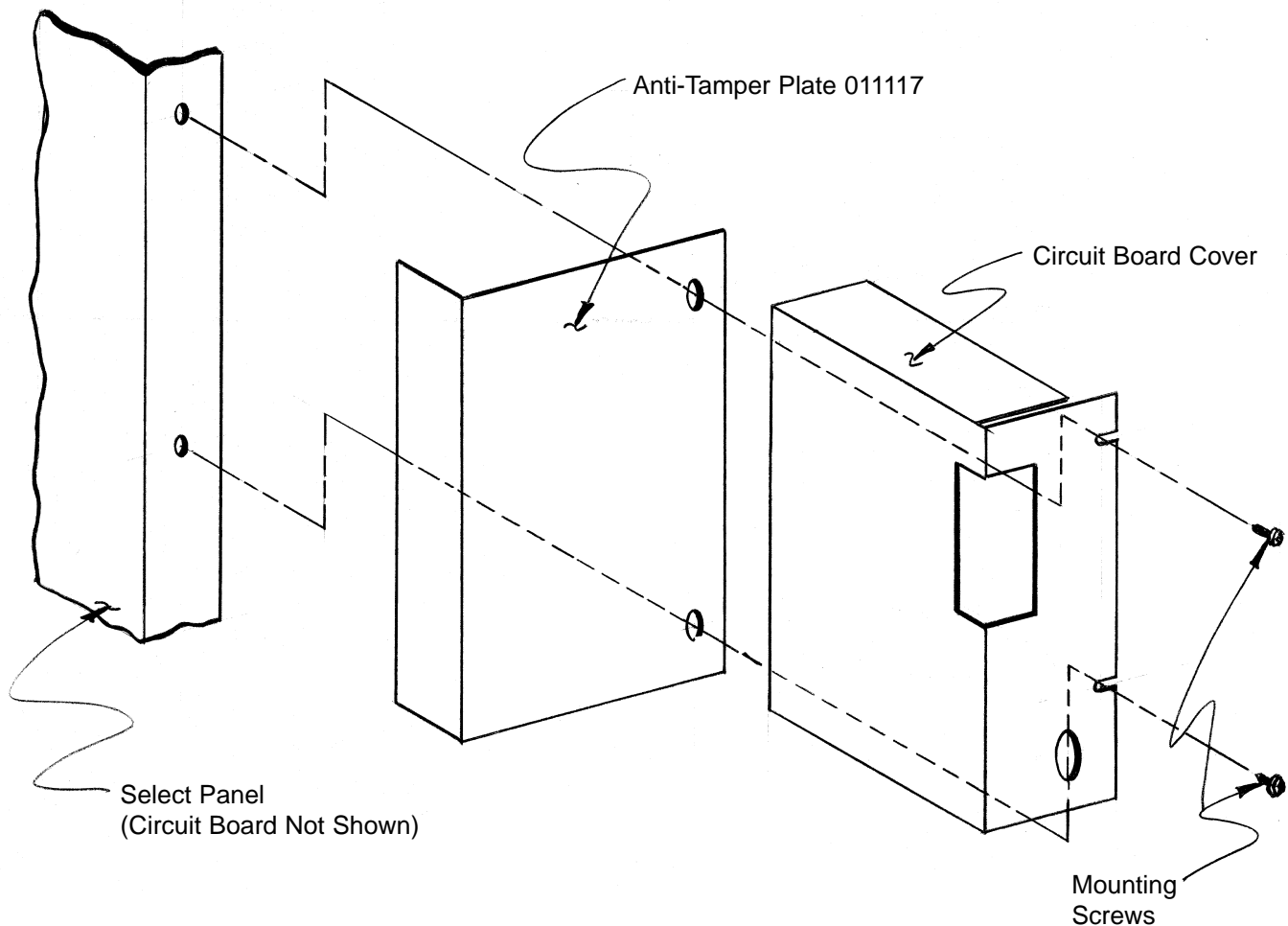
REVISION: 02

SUBJECT: Installation of Anti-Tamper Plate

MODELS: Merlin 2000 Venders

PART NUMBER	PART DESCRIPTION
011117	Anti-Tamper Plate (Merlin 2000)

BEFORE WORKING ON VENDER: Remove power from vender by unplugging vender's main power cord from the AC voltage power source (wall outlet).



ANY QUESTIONS??? CONTACT ROYAL VENDORS' CUSTOMER SERVICE DEPARTMENT
CALL TOLL FREE (800) 931-9214