



SERVICE BULLETIN # 00045

201 INDUSTRIAL BOULEVARD • KEARNEYSVILLE, WV 25430

Phone: (304) 728-7056 • Fax: (304) 725-6579 • Toll Free: (800) 931-9214

PAGE: 1 of 2

DATE: 6-19-02

REVISION: 05

SUBJECT: Converting Old L.E.D. Display to New L.E.D. Display

MODELS: Pepsi, Cold Drink and Can Display Merlin Venders

KIT NUMBER	KIT DESCRIPTION
012121	Merlin L.E.D. Conversion Kit



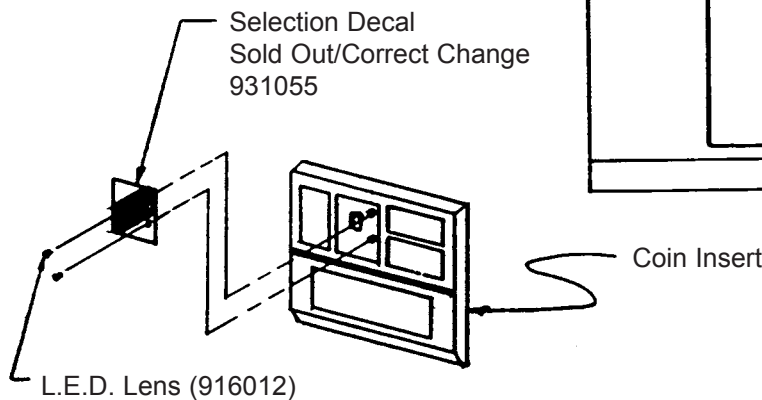
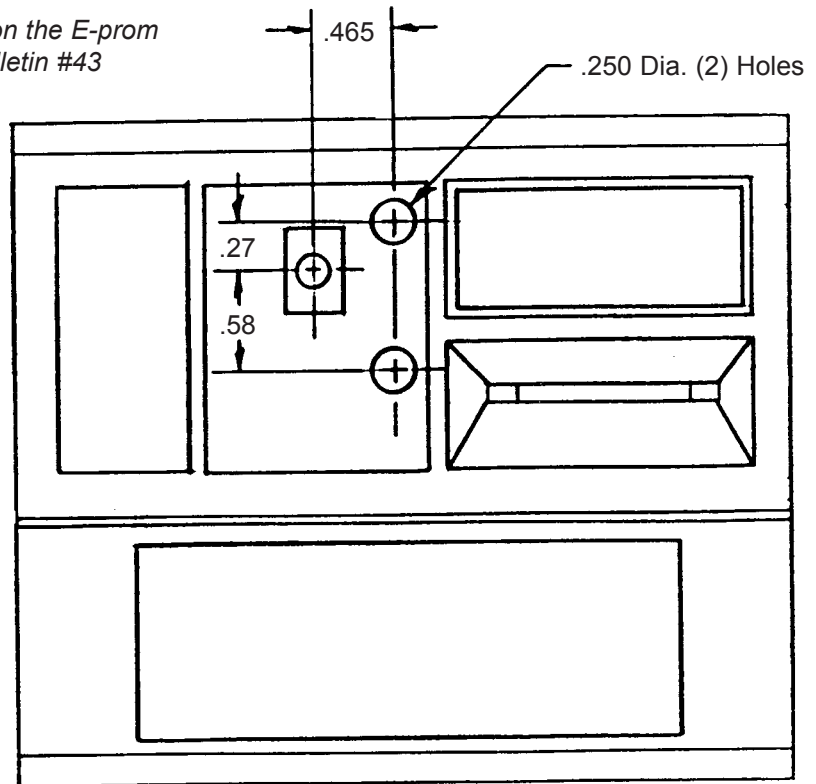
The following areas of this vender contain voltage, which can cause serious injury or even death. The main power cord, supplying 110 VAC to the evaporator, EMI filter, and refrigeration system. The power line from the EMI filter to the ballast and transformer. The ballast can produce upwards of 600 volts. Remove power from vender before working in any of these areas.

BEFORE WORKING ON VENDER: Remove power from vender by unplugging vender's main power cord from the AC voltage power source (wall outlet).

INSTRUCTIONS:

1. Using LED hole jig (P/N 010172), drill two holes for the LED lights in the coin insert.
2. Mount LED window with "T" screw and nut. (supplied with coin insert)
3. Remove the two nuts on the side of the door beside the coin insert and install the window bracket to secure the LED window.
4. Stick the label on the front of the coin insert.
5. Snap in the LED lenses.
6. Mount the LED by snapping it into the LED window, securing with two keps nuts. (refer to page 2 for steps 2,3, and 6).

Note: Check the board revision number (located on the E-prom label on the control board) and refer to service bulletin #43



**ANY QUESTIONS??? CONTACT ROYAL VENDORS' CUSTOMER SERVICE DEPARTMENT
CALL TOLL FREE (800) 931-9214**



SERVICE BULLETIN # 00045

201 INDUSTRIAL BOULEVARD • KEARNEYSVILLE, WV 25430
Phone: (304) 728-7056 • Fax: (304) 725-6579 • Toll Free: (800) 931-9214

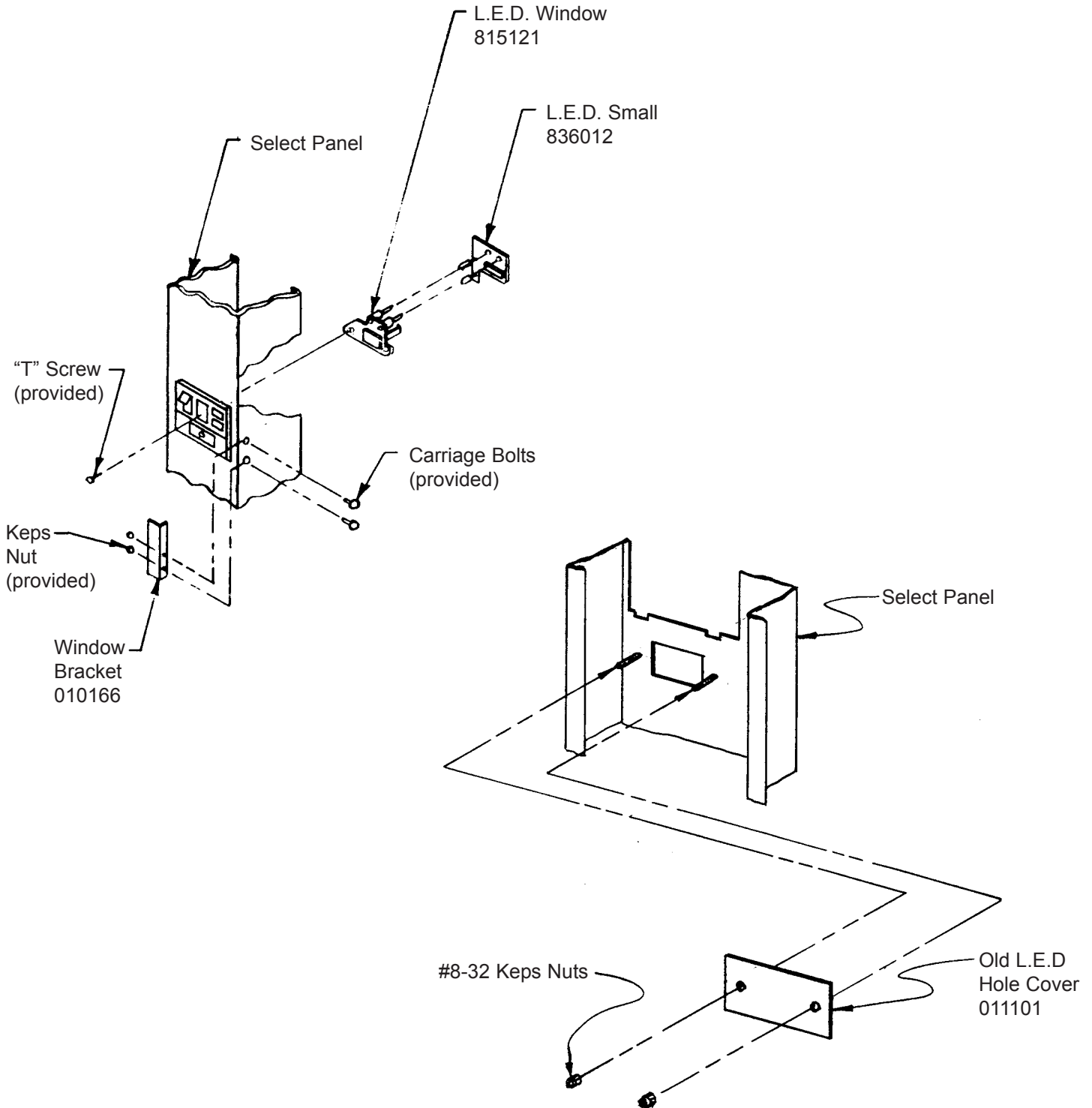
PAGE: 2 of 2

DATE: 6-19-02

REVISION: 05

SUBJECT: Converting Old L.E.D. Display to New L.E.D. Display

MODELS: Pepsi, Cold Drink and Can Display Merlin Venders



**ANY QUESTIONS??? CONTACT ROYAL VENDORS' CUSTOMER SERVICE DEPARTMENT
CALL TOLL FREE (800) 931-9214**