



SERVICE BULLETIN # 00044

201 INDUSTRIAL BOULEVARD • KEARNEYSVILLE, WV 25430
Phone: (304) 728-7056 • Fax: (304) 725-6579 • Toll Free: (800) 931-9214

PAGE: 1 of 1
DATE: 8-17-00
REVISION: 02

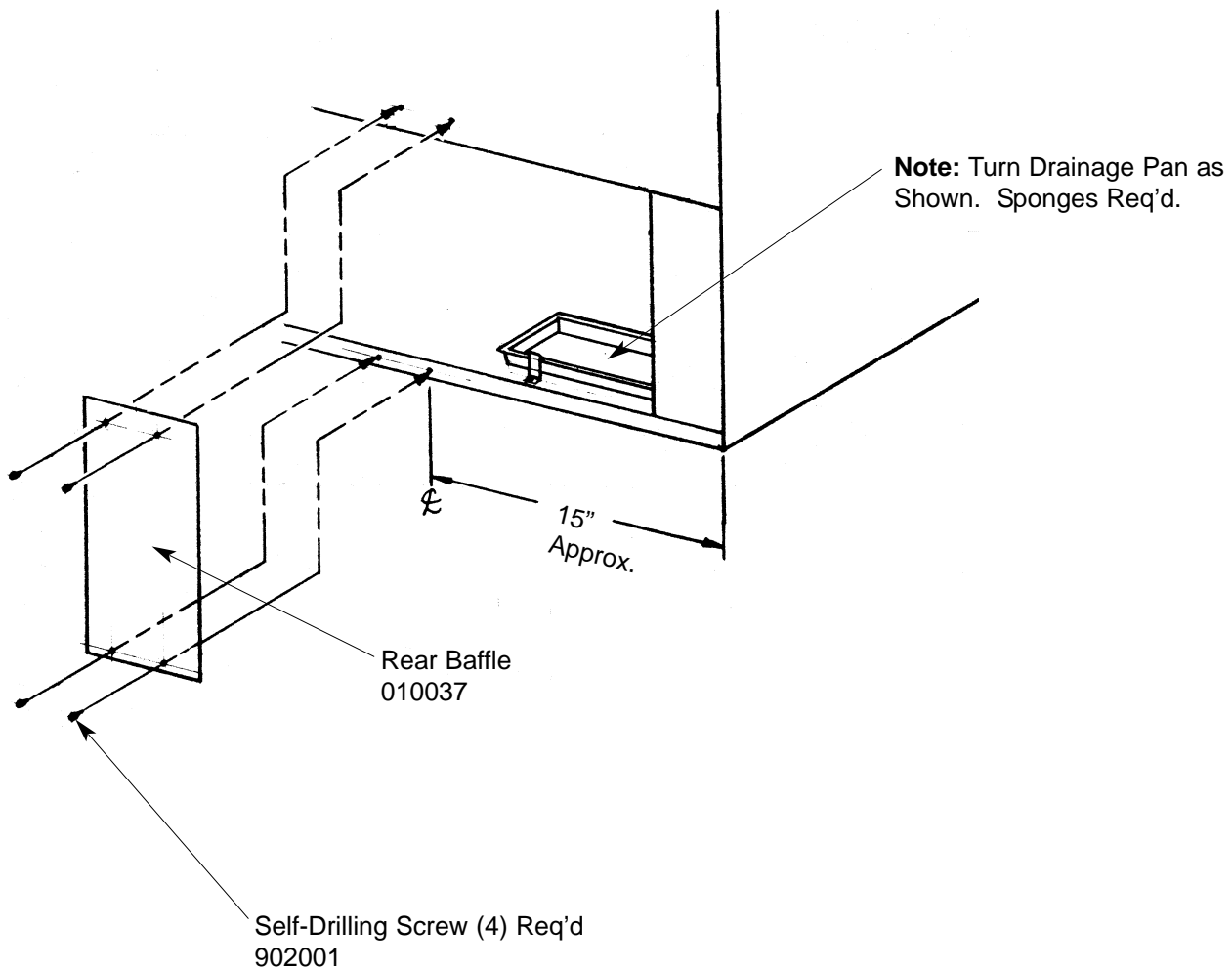
SUBJECT: Installation of Rear Baffle

MODELS: Wide Venders

KIT NUMBER	KIT DESCRIPTION
-------------------	------------------------

010188	Rear Baffle Kit
--------	-----------------

BEFORE WORKING ON VENDER: Remove power from vender by unplugging vender's main power cord from the AC voltage power source (wall outlet).



ANY QUESTIONS??? CONTACT ROYAL VENDORS' CUSTOMER SERVICE DEPARTMENT
CALL TOLL FREE (800) 931-9214