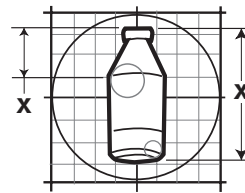




042 Package Vending Specification

201 Industrial Boulevard • Kearneysville, WV 25430
 Phone: (304) 728-7056 • Fax: (304) 725-6579



PAGE: 1 of 1
DATE: 2-14-02
REVISION: 00

PRODUCT NAME: Tampico
 BOTTLER / COMPANY: Crystal Cream Dairy
 VOLUME: 16 oz.
 PACKAGE TYPE: Plastic
 HEIGHT: 7.39 in. / 18.77 cm
 WEIGHT: 1.16 lbs. / .52 kg
 DIAMETER: 2.60 in. / 6.6 cm
 COUNTRY OF ORIGIN: USA



APPROVED VENDERS

VENDER	RETAINERS		72" CAPACITY	
	Front	Rear	Front	Rear
Milk Vender	10	see kit	26	26

Kits / Parts: Front Column Kit# 332110, Rear Column Kit# 332111

SPECIAL INSTRUCTIONS:

1. Load the bottles caps to the front in front columns and caps to the rear in rear columns.
2. Install small package filler (included in kit) in all columns vending 16 oz. Tampico. Install retainers (included in kit) in rear columns and set in position 11 with the back spacer set in position 1. Install white extrusions (included in kit) on front of center divider for front columns and rear of center divider for rear columns, on the left and right side (see figure 1).

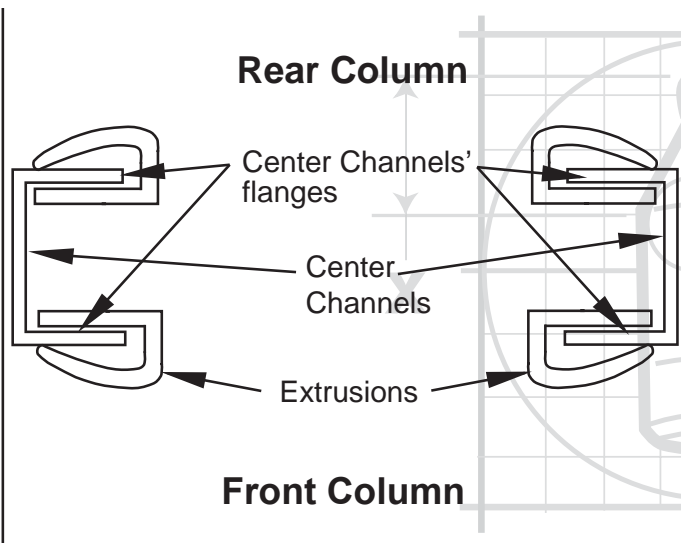


figure 1

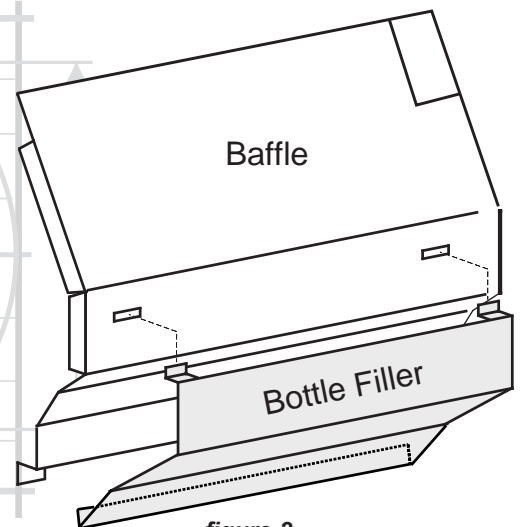


figure 2

**ANY QUESTIONS??? CONTACT ROYAL VENDORS' CUSTOMER SERVICE DEPARTMENT
 CALL TOLL FREE (800) 931-9214**