



# SERVICE BULLETIN # 00041

201 INDUSTRIAL BOULEVARD • KEARNEYSVILLE, WV 25430

Phone: (304) 728-7056 • Fax: (304) 725-6579 • Toll Free: (800) 931-9214

PAGE: 1 of 2

DATE: 8-17-00

REVISION: 03

**SUBJECT:** Installation of 17.5 cl Bottle Kit for Narrow Column

**MODELS:** Electro-Mechanical, Merlin 2000, Merlin III (Double Depth)

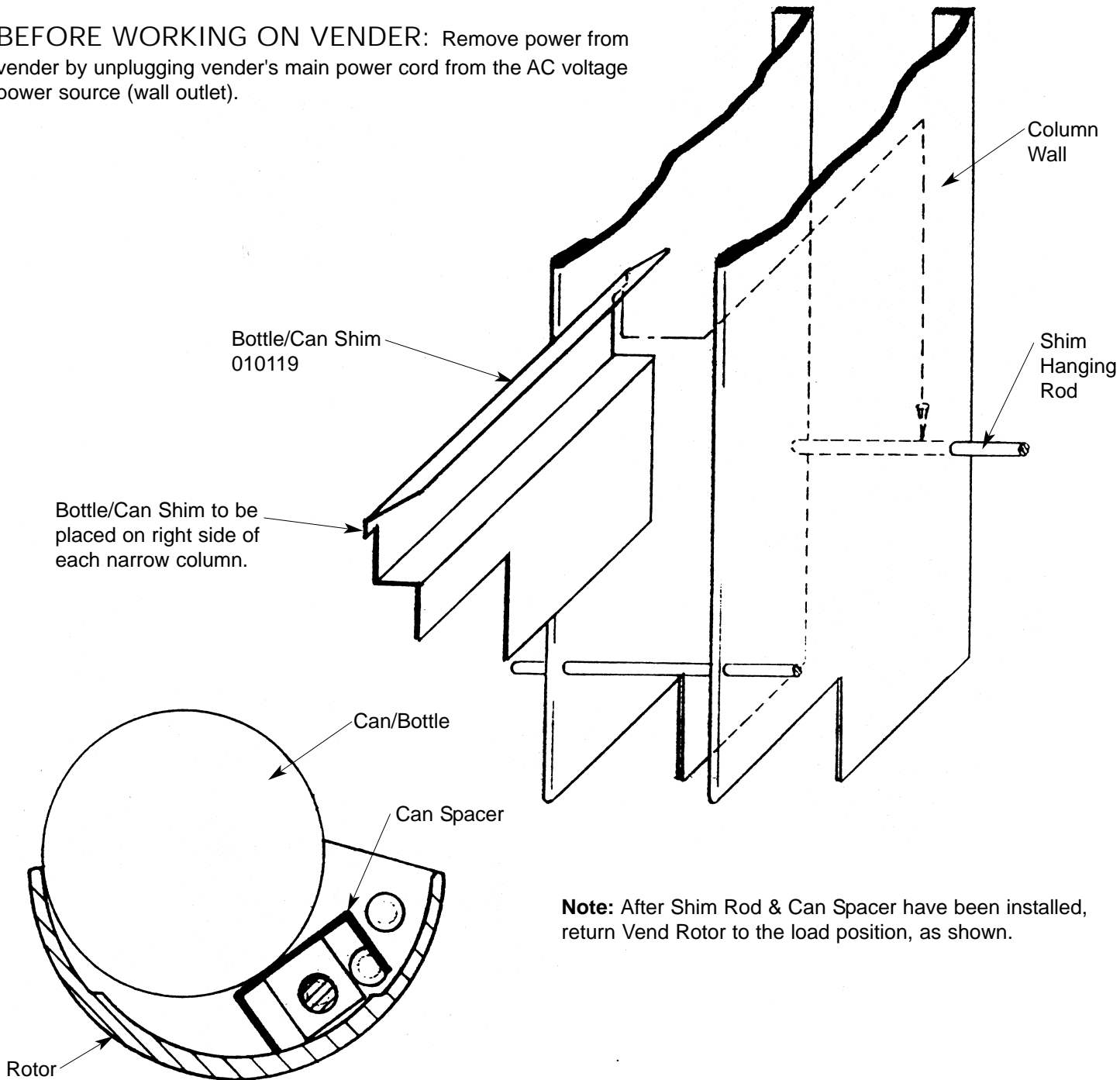
**KIT NUMBER**

**KIT DESCRIPTION**

010186

17.5 cl Bottle Kit

**BEFORE WORKING ON VENDER:** Remove power from vender by unplugging vender's main power cord from the AC voltage power source (wall outlet).



**ANY QUESTIONS???** CONTACT ROYAL VENDORS' CUSTOMER SERVICE DEPARTMENT  
CALL TOLL FREE (800) 931-9214



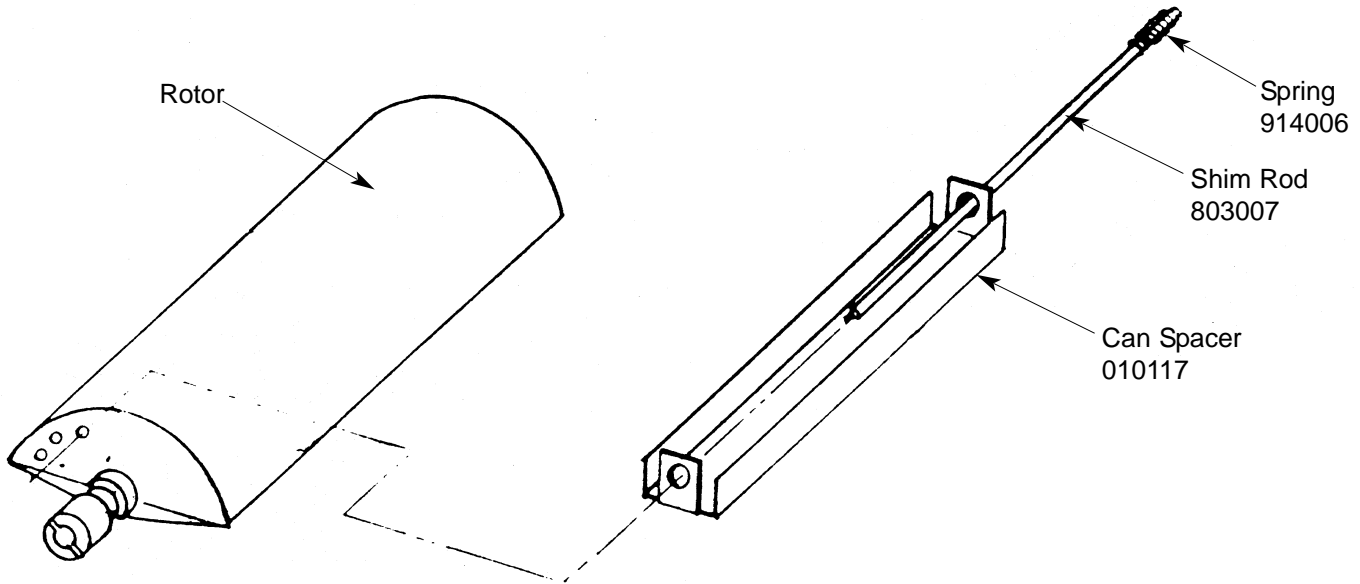
# SERVICE BULLETIN # 00041

201 INDUSTRIAL BOULEVARD • KEARNEYSVILLE, WV 25430  
Phone: (304) 728-7056 • Fax: (304) 725-4728 • Toll Free: (800) 931-9214

<b>PAGE:</b> 2 of 2
<b>DATE:</b> 8-17-00
<b>REVISION:</b> 03

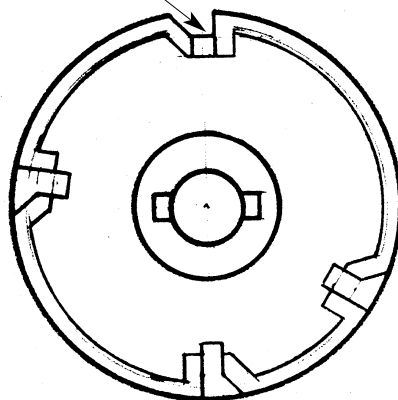
**SUBJECT:** Installation of 17.5 cl Bottle Kit for Narrow Column

**MODELS:** Electro-Mechanical, Merlin 2000, Merlin III (Double Depth)

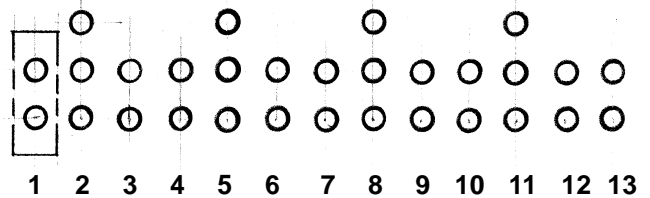


To install can spacer & shim rod, run motor using the vend switch until the vend rotor is upside down as shown. Then quickly pull off one of the vend motor wires to stop the rotor in this position.

For 17.5 cl Bottles, leave this hole open for single depth.



Mount Back Spacer in the 5th hole as shown.



**2-Deep Cam  
Narrow Column**

**ANY QUESTIONS??? CONTACT ROYAL VENDORS' CUSTOMER SERVICE DEPARTMENT  
CALL TOLL FREE (800) 931-9214**



# SERVICE BULLETIN # 00018

201 INDUSTRIAL BOULEVARD • KEARNEYSVILLE, WV 25430

Phone: (304) 728-7056 • Fax: (304) 725-4728 • Toll Free: (800) 931-9214

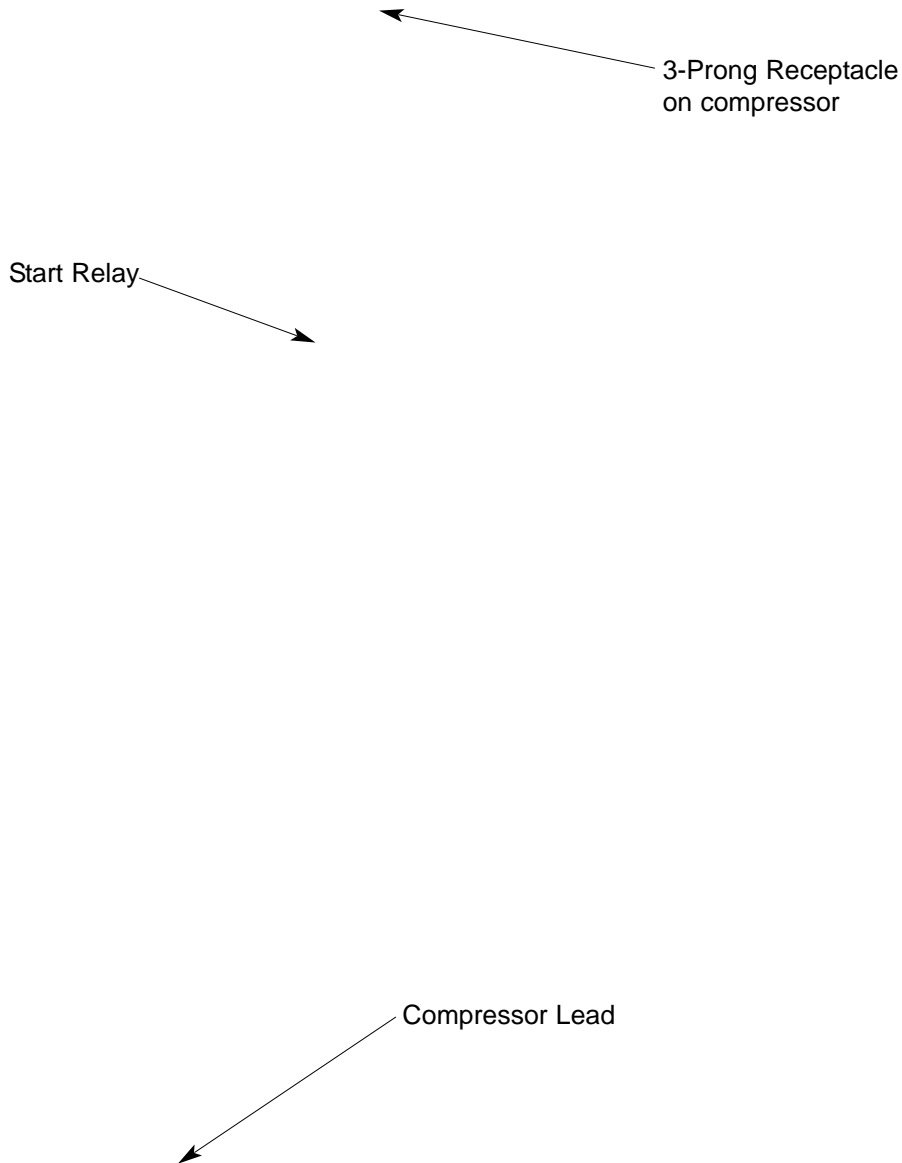
PAGE: 3 of 3

DATE: 5-11-99

REVISION: 01

**SUBJECT:** Compressor Jumper Test Kit

**MODELS:** All Venders



**ANY QUESTIONS???** CONTACT ROYAL VENDORS' CUSTOMER SERVICE DEPARTMENT  
CALL TOLL FREE (800) 931-9214