



SERVICE BULLETIN # 00003

201 INDUSTRIAL BOULEVARD • KEARNEYSVILLE, WV 25430

Phone: (304) 728-7056 • Fax: (304) 725-6579 • Toll Free: (800) 931-9214

PAGE: 1 of 2

DATE: 6-18-02

REVISION: 08

SUBJECT: Multi (4) Price Kit Installation

MODELS: Electro-Mechanical Venders

of People
Required



KIT NUMBER

KIT DESCRIPTION

010111

Standard Multi-Price Kit (4 Price) for RVCC and RVDP Models

012171

Standard Multi-Price Kit (4 Price) for RVMC and RVCD Models

TOOLS REQUIRED: Scribe, small wire ties, electrical tape

ESTIMATED TIME: 30 minutes



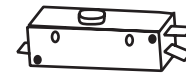
The following areas of this vender contain voltage, which can cause serious injury or even death. The main power cord, supplying 110 VAC to the evaporator, EMI filter, and refrigeration system. The power line from the EMI filter to the ballast and transformer. The ballast can produce upwards of 600 volts. Remove power from vender before working in any of these areas.

IMPORTANT NOTE WHEN ORDERING: Kit #012,171,004 only applies to RVMC and RVCD models with the "Large" select Switch (S.N. 1218XX-XXXX and greater). If you have the "Small" switch use kit #010111

Note: To use this kit you will need a 4 price coin changer (not included in kit).

Recommended Changer models are:

- A. Coinco F300E9400
- B. Coinco F300E9210
- C. Mars MC-5920A



Large Switch



Small Switch

REASON:

This kit will enable the vender to use four different vend prices.

INSTRUCTIONS:

1. Unplug Vender
2. Remove terminals for positions 3 & 7 from changer socket and tape ends.
3. Insert wire #3 into changer socket position 3. Remove terminal from common of select switch #2 on 5-select venders, #3 on 6,7,8 & 10 select venders and push the other end of wire #3 in it's place.
4. Insert wire #4 into changer socket position 4. Remove terminal from common of select switch #3 on 5-select venders, #4 on 6,7,8 & 10 select venders and push the other end of wire #4 in it's place.
5. Insert wire #7 into changer socket position 7. Remove terminal from common of select switch #4 on 5-select venders, #5 on 6 & 7-select venders, #6 on 8-select venders and #10 on 10-select venders and push the other end of wire #7 in it's place.
6. Insert wire #8 into changer socket position 8. Remove terminal from common of select switch #5 on 5-select venders, #6 on 6 -select venders, #7 on 7-select venders, #8 on 8-select venders and #10 on 10 select venders and push the other end of wire #8 in it's place.
7. On venders with a sequencer, remove wire #230 from the normally closed position on select switch #1 and wire #115 from the normally open position of select switch #1. Cut off terminals and strip both wires leaving approximately 3/16" of bare wire on the ends. Using one of the enclosed terminals terminate both wires together. (Note: It would be advised to use needle nosed pliers when applying the terminal.) After both wires are terminated securely (see diagram), reinsert wires 230/115 into the normally open position of select switch #1.
8. Tape ends of all loose, uninsulated terminals.
9. Use plastic wire tie straps to fasten kit harness to existing harness,
10. SET PRICE SWITCHES IN COIN CHANGER PER INSTRUCTIONS FOR CHANGER.

**ANY QUESTIONS??? CONTACT ROYAL VENDORS' CUSTOMER SERVICE DEPARTMENT
CALL TOLL FREE (800) 931-9214**



SERVICE BULLETIN # 00003

201 INDUSTRIAL BOULEVARD • KEARNEYSVILLE, WV 25430
Phone: (304) 728-7056 • Fax: (304) 725-4728 • Toll Free: (800) 931-9214

PAGE: 2 of 2
DATE: 6-18-02
REVISION: 08

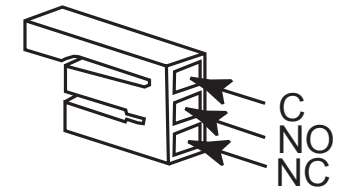
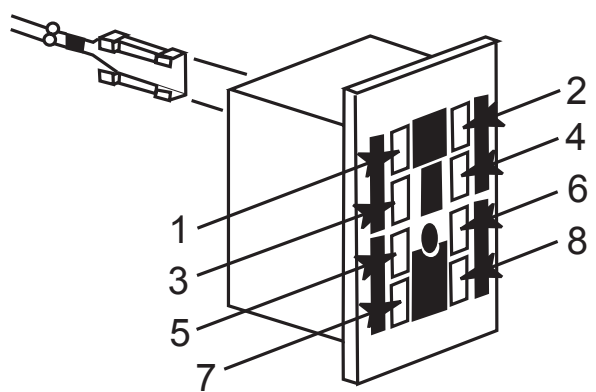
SUBJECT: Multi (4) Price Kit Installation

MODELS: Electro-Mechanical Venders

- 1st price line will give you the price for selections 1 & 2 on 5-select venders and selections 1,2 & 3 on 6,7,8 and 10 select venders.
- 2nd price line will give you the price for selection 3 on 5-select venders, selection 4 on 6,7,8-select venders and selections 4 & 5 on 10 select venders.
- 3rd price line will give you the price for selection 4 on 5-select venders, selection 5 on 6 & 7-select venders, Selections 5 & 6 on 8-select venders and selections 6 & 7 on 10 select venders.
- 4th price line will give you the price for selection 5 on 5-select venders, selection 6 on 6-select venders, Selections 6 & 7 on 7-select venders, selections 7 & 8 on 8-select venders and selections 8,9 &10 on 10 selection venders.

Note: Place individual price decals on each product identification flavor strip and slide strip into place.

--DO NOT REMOVE VEND RELAY--



3-WAY HOUSING

ANY QUESTIONS??? CONTACT ROYAL VENDORS' CUSTOMER SERVICE DEPARTMENT
CALL TOLL FREE (800) 931-9214