



SERVICE BULLETIN # 00039

201 INDUSTRIAL BOULEVARD • KEARNEYSVILLE, WV 25430

Phone: (304) 728-7056 • Fax: (304) 725-6579 • Toll Free: (800) 931-9214

PAGE: 1 of 1

DATE: 8-17-00

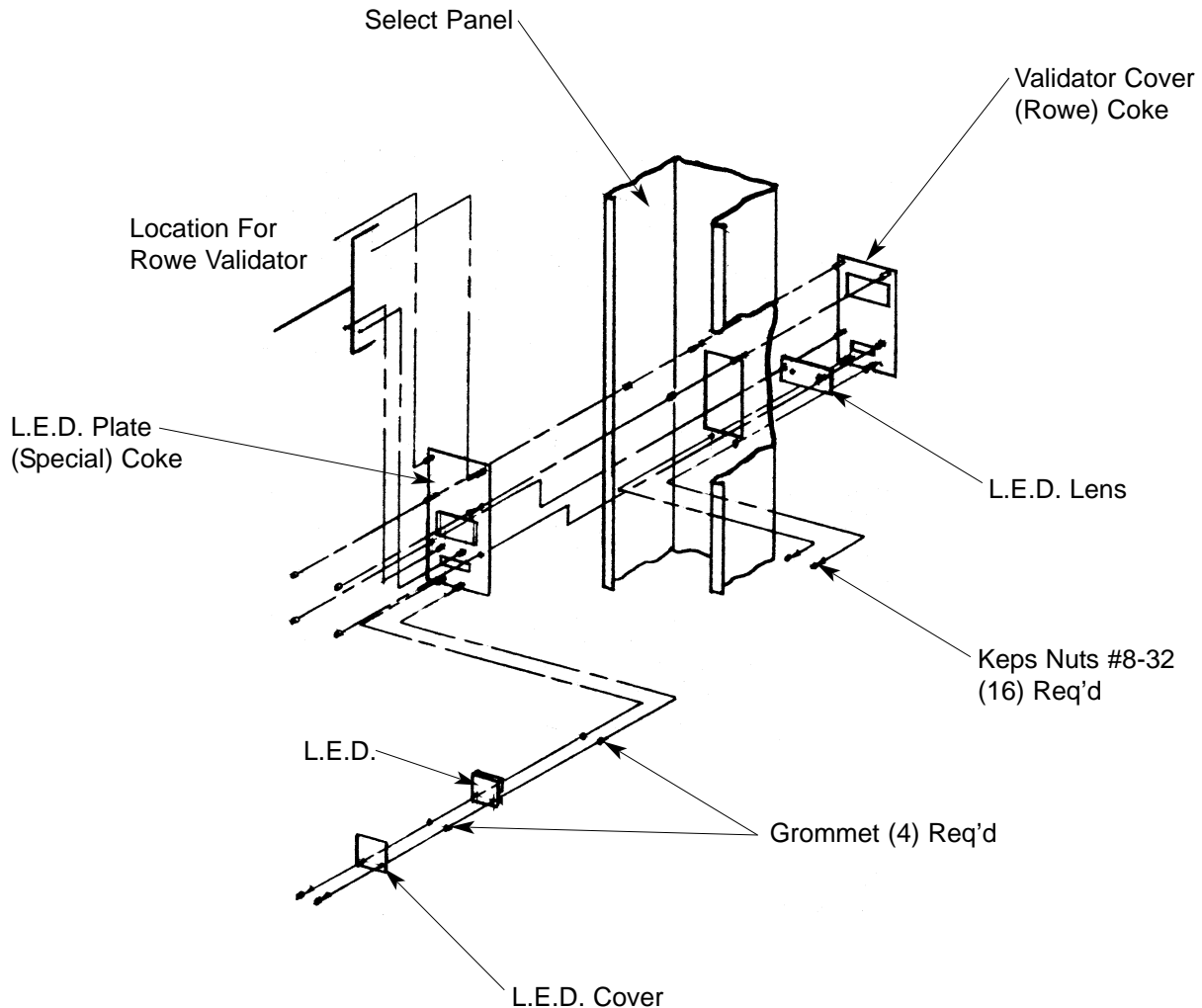
REVISION: 02

SUBJECT: Installation of Special Merlin Rowe Validator Plate

MODELS: Merlin Coke Venders with Serial No. 0000-1055 Only

KIT NUMBER	KIT DESCRIPTION
010183	Merlin Rowe Validator Plate Kit (0000-1055)

BEFORE WORKING ON VENDER: Remove power from vender by unplugging vender's main power cord from the AC voltage power source (wall outlet).



**ANY QUESTIONS??? CONTACT ROYAL VENDORS' CUSTOMER SERVICE DEPARTMENT
CALL TOLL FREE (800) 931-9214**