



SERVICE BULLETIN # 00037

201 INDUSTRIAL BOULEVARD • KEARNEYSVILLE, WV 25430

Phone: (304) 728-7056 • Fax: (304) 725-6579 • Toll Free: (800) 931-9214

PAGE: 1 of 1

DATE: 8-17-00

REVISION: 05

SUBJECT: Installation of Coin Insert Cover

MODELS: Venders built P.O. 1172 and before

KIT NUMBER

KIT DESCRIPTION

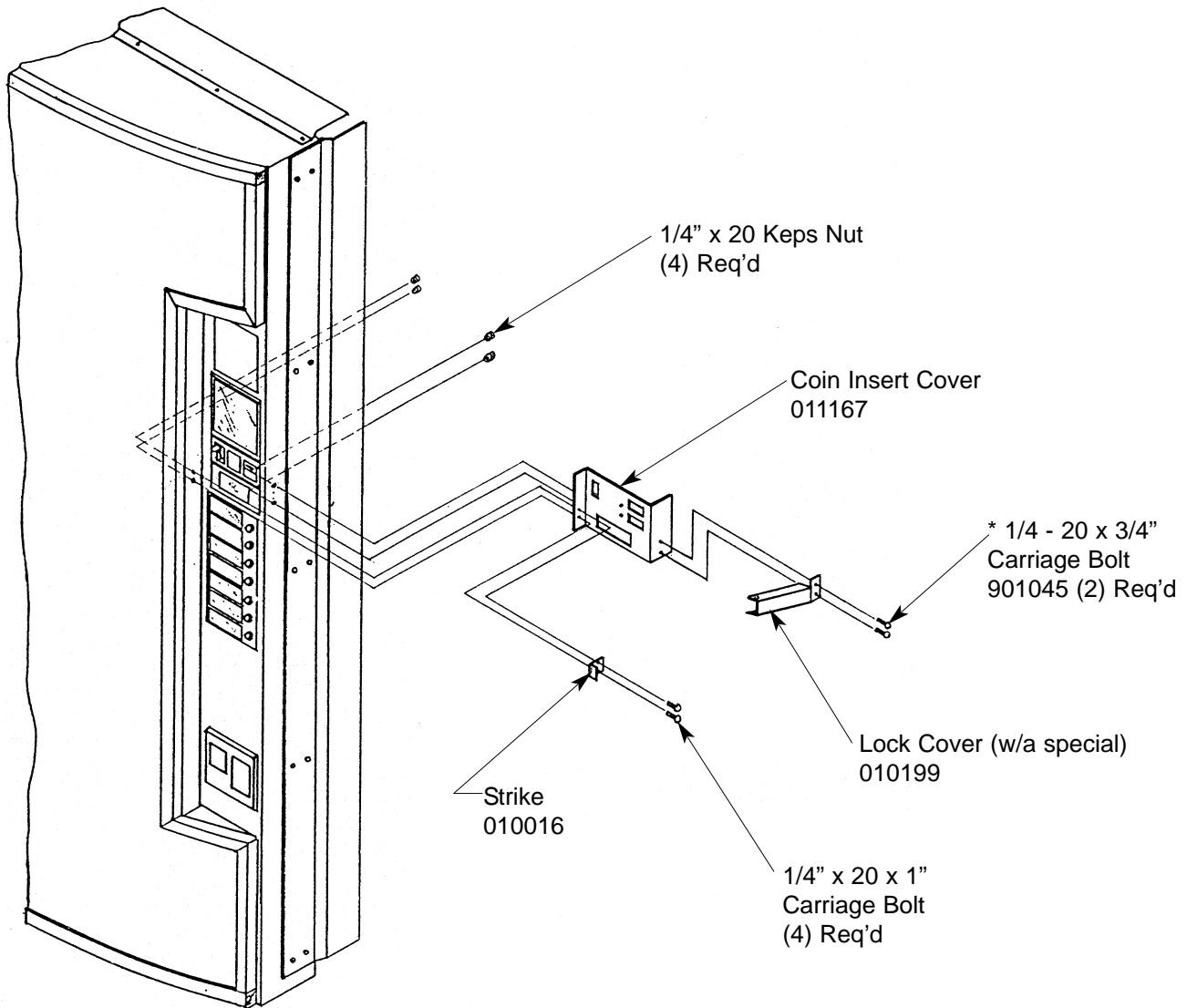
010158

Coin Insert Cover Kit (P.O. 1172 and before)

BEFORE WORKING ON VENDER: Remove power from vender by unplugging vender's main power cord from the AC voltage power source (wall outlet).

INSTRUCTIONS:

Replace the (2) identified 1/4-20 Carriage Bolts (see "**"), with the bolts supplied with the kit. Use the stock Keps nuts.



ANY QUESTIONS??? CONTACT ROYAL VENDORS' CUSTOMER SERVICE DEPARTMENT
CALL TOLL FREE (800) 931-9214