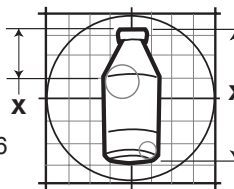




036

Package Vending Specification

426 Industrial Boulevard • Kearneysville WV 25430-2776
Phone: (304) 728-7056 • Fax: (304) 725-6579



PAGE: 1 of 3
DATE: 6-28-04
REVISION: 02

PRODUCT NAME: Pepsi 1 Liter
BOTTLER / COMPANY: Pepsi Cola
VOLUME: 1 Liter
PACKAGE TYPE: PET
HEIGHT: 10.33 in. / 26.2 cm
WEIGHT: 2.38 lbs. / 1.08 kg
DIAMETER: 3.37 in. / 8.6 cm
COUNTRY OF ORIGIN: USA



APPROVED VENDERS

VENDER	RETAINERS		79" CAPACITY	
	Front	Rear	Front	Rear
MIV (regular)	5	see below	17	17

NOTE: This product cannot be vended in the Airflow vend mechanism (most Merlin IV's with serial number 200422XX00001 and after).

Kits / Parts Required:

- 256911 Merlin IV 1 Liter Kit 79" (Narrow Port)
- 257140 Merlin IV 1 Liter Kit 72" (Narrow Port)
- 261110 Merlin IV 1 Liter Kit 79" (Wide Port)
- 262110 Merlin IV 1 Liter Kit 72" (Wide Port)

Also required for Wide Port venders:

- 263101 Anti-Theft Plate for non-CDC
- 303524 Anti-Theft Plate for CDC

Installation Instructions:

BEFORE WORKING ON VENDER: Remove power from the vender by unplugging the vender's main power cord from the AC voltage power source (wall outlet).

1. REMOVAL OF EXISTING PRODUCT FUNNEL.

- A. Remove product from both front and rear columns.
- B. *Remove the screw that is retaining the Funnel (*lower front of column wall*).
- C. Remove Left Front Product Retainer.
- D. Remove the center Funnel Angle.
 1. Squeeze the top of the Funnel Angle and pull upwards.
- E. Remove Rear Product Backspacer.
- F. Peel off the Anti-Friction Sheets. (*if applicable - see Figure 4*)
- G. Pull out and up on the bottom of the Product Funnel to remove.

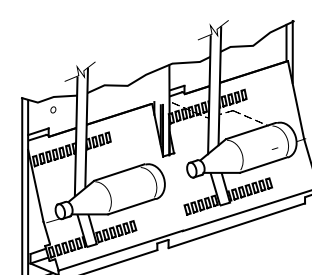
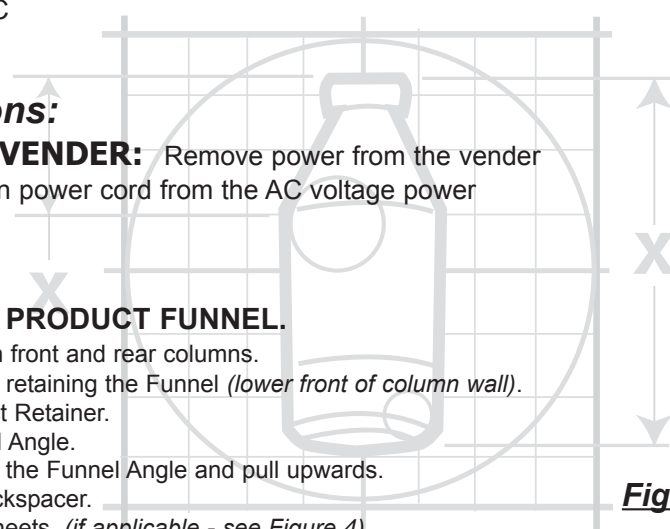


Figure 1



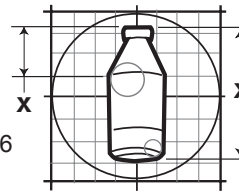
ANY QUESTIONS??? CONTACT ROYAL VENDORS' CUSTOMER SERVICE DEPARTMENT
CALL TOLL FREE (800) 931-9214



036

Package Vending Specification

426 Industrial Boulevard • Kearneysville WV 25430-2776
Phone: (304) 728-7056 • Fax: (304) 725-6579



PAGE: 2 of 3

DATE: 6-28-04

REVISION: 02

PRODUCT NAME: Pepsi 1 Liter

2. INSTALLATION OF 1 LITER PRODUCT FUNNEL.

- A. Remove the Case Support. (See Figure 4)
 - 1. Remove both screws from the case support, then pull completely out (some models may have Hitch Pin Clips).
- B. Then start with the rear column top tabs in the horizontal slots provided in the column wall. (The same slots that the old baffle used.)
- C. Place the funnel tabs in horizontal slots provided in the column wall. (The same slots that the old baffle used.)
- D. Push inward and downward to seat new Funnel.
 - 1. Make sure that the support slot from the Product Funnel align with the front and rear mechanism plate tabs.
- E. Reposition the rear Product Backspacer.
 - 1. For vending 1 liter packages move rear Backspacer to the last possible position in the rear (#1 slot).
- F. Install Anti-Bridging Baffles in each column converted. (See Service Bulletin 232 for installation instructions.)
- G. Install the new Funnel Angle. (see Figure 4)
 - 1. Make sure that the top of the Funnel Angle is seated inside the center support channel and that it is pushed downward as far as possible.
- H. Reposition Product Retainers. (see Figure 6)
 - 1. For vending Pepsi 1 liter packages in the front columns, place the retainers in position 5. In the rear columns, place the retainers in the 16th position. In the rear column the Anti-Friction Sheet covers the first few slots, therefore you may have to cut through the area covering the slot in order to insert the tab of the left product retainer (from the kit).
- I. Tighten the screw in the column wall to secure the new Funnel. (see figure 5)
- J. Load your product with "Caps Forward." (see figure 1)

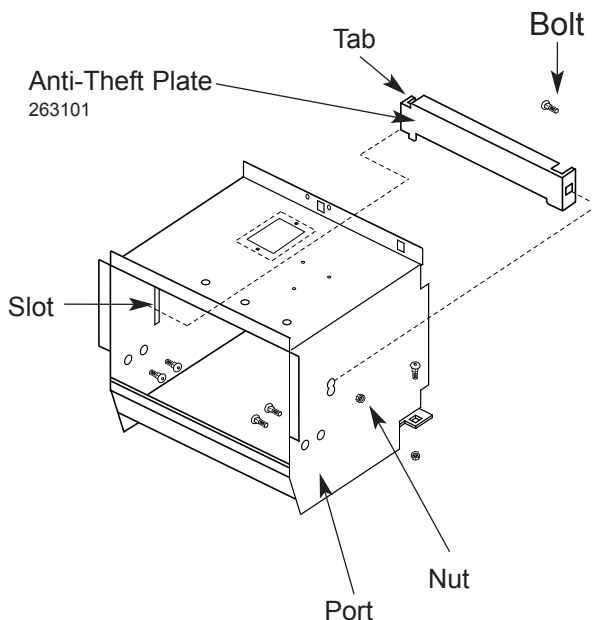
3. REPLACE THE EXISTING ANTI-THEFT PLATE (Wide Port Venders Only)

- A. Insert tab of the Anti-Theft Plate into the slot before fastening with bolt and nut. (Refer to figures 2 & 3)
 - 1. For Center Door Changers, the Coin Cup fits through Anti-Theft Plate.

- NOTES:
- 1. *Some models may not have a screw.
 - 2. To vend packages less than 3" diameter (12 oz. cans) with the 1 liter product funnel. Install a Can Funnel in the **Front Column (256107)** or **Rear Column (256108)**.

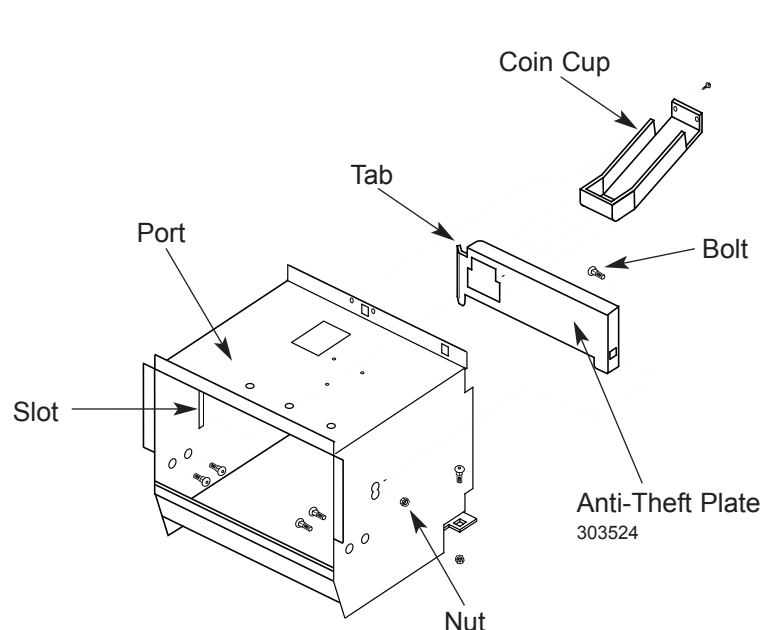
NON-CENTER DOOR CHANGER

Figure 2



CENTER DOOR CHANGER

Figure 3



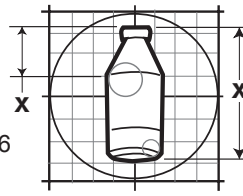
**ANY QUESTIONS??? CONTACT ROYAL VENDORS' CUSTOMER SERVICE DEPARTMENT
CALL TOLL FREE (800) 931-9214**



036

Package Vending Specification

426 Industrial Boulevard • Kearneysville WV 25430-2776
 Phone: (304) 728-7056 • Fax: (304) 725-6579



PAGE: 3 of 3

DATE: 6-28-04

REVISION: 02

PRODUCT NAME: Pepsi 1 Liter

Figure 4

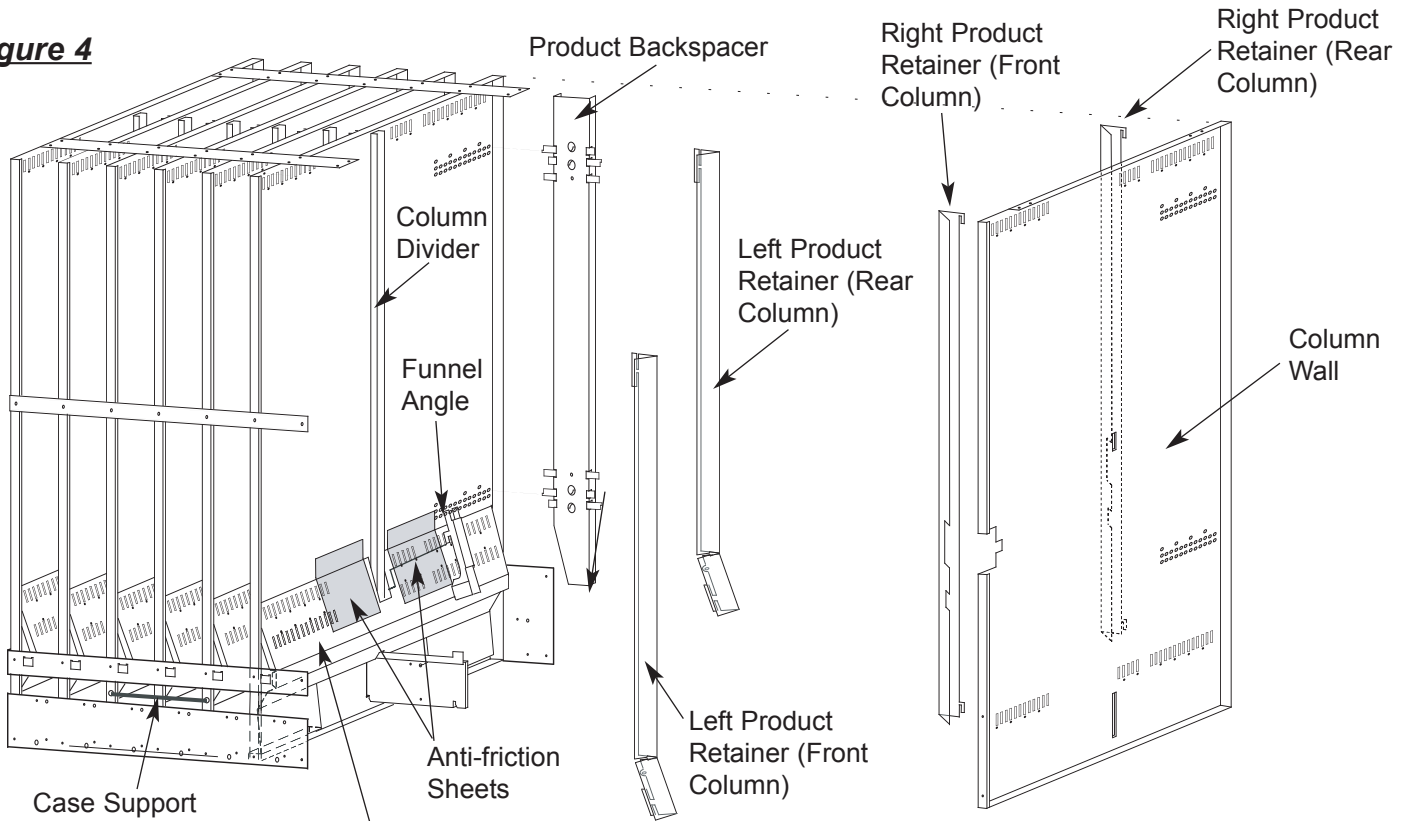


Figure 5

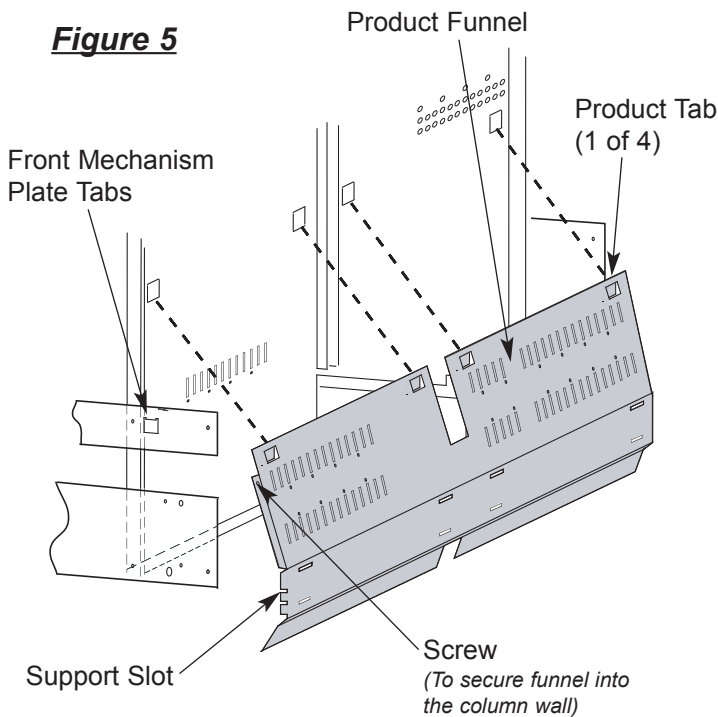
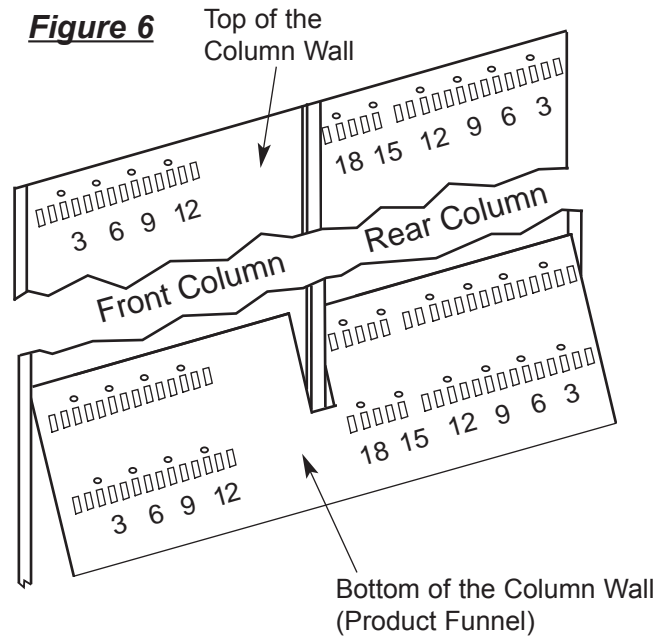


Figure 6



**ANY QUESTIONS??? CONTACT ROYAL VENDORS' CUSTOMER SERVICE DEPARTMENT
 CALL TOLL FREE (800) 931-9214**