



SERVICE BULLETIN 353

426 Industrial Boulevard • Kearneysville WV 25430-2776 • USA
Telephone: +1 304 728 7056 • technicalinquiry@royalvenders.com
Toll-free in North America: 1 800 931 9214 • Fax: +1 304 725 4016
Canada: +1 905 738 5777 • Mexico: +52 55 5203 6887
Europe: +49 2158 95 1000 • Australia: +61 2 9890 5433

Page: 1 of 2

Date: 17 Nov 2011

Revision: 00

SUBJECT: Column Conversion to Accomodate 12 oz Cans in Merlin RB

Number of
People
Required



MODELS: Merlin RB

KIT NUMBER

KIT DESCRIPTION

354730

Conversion Kit - Column 4 Merlin RB

TOOLS REQUIRED: Phillips screwdriver; drill with 1/8" (3 mm) bit or hammer and chisel

ESTIMATED INSTALLATION TIME: 15 minutes



The following areas of this vender contain voltage which can cause serious injury or even death: the main power cord, supplying 115-230 VAC to the evaporator, EMI filter, and refrigeration system; the power line from the EMI filter to the ballast and transformer; and the ballast, which can produce upwards of 600 volts. Remove all power from the vender before working in any of these areas.

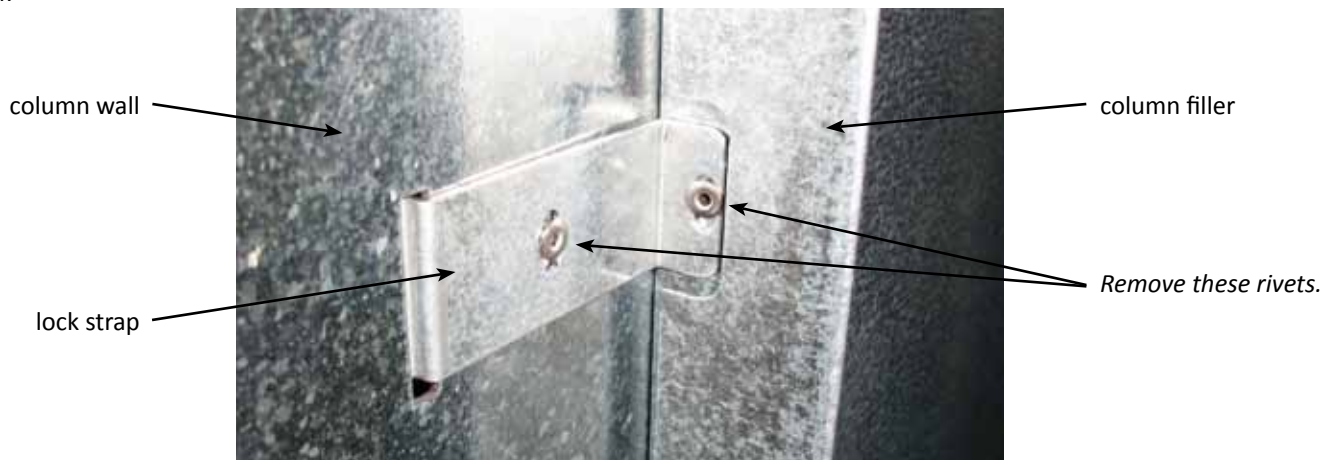
BACKGROUND INFORMATION: This bulletin explains the procedure for converting column 4 in the Merlin RB vender to accomodate 12 oz (355 mL) cans. **NOTE:** This bulletin applies only to column 4. Columns 1-3 are more narrow and cannot accomodate the 12 oz cans.

INSTALLATION INSTRUCTIONS:

1. Remove power by unplugging the vender's power cord from the AC voltage source (wall outlet).
2. Using a drill with 1/8" (3 mm) bit, remove the rivets that secure the lock strap to the column filler and to the column wall. (Refer to Figure 1.) **Note:** If no drill is available, the rivet may be carefully removed with a hammer and chisel.
3. Remove the lock strap from the column wall.
4. Lift the column filler up and remove it from the vender.
5. Remove the wiring cover plate. (Refer to Figure 2.)
6. Remove the rod that secures the existing product stop assembly in the bottom of the column. (Refer to Figure 3.)
7. Install the new product stop assembly (from the kit). (Refer to Figure 4.)
8. Re-install the wiring cover plate.
9. Install the left product retainer assembly (from the kit) in position 20. Also, move the right product retainer to position 20.
10. Restore power by plugging the vender's power cord into the AC voltage source (wall outlet).

The cans should be loaded three-deep in the column, all facing the same direction. The 12 oz can capacity of column 4 after conversion will be approximately 120 cans.

Figure 1. Remove the rivets that secure the lock strap to the column filler and to the column wall. Then, remove the lock strap and the column filler.



In an effort to provide our customers with the latest information on our equipment, Royal Vendors sends service bulletins to customers using the original ship-to address or e-mail addresses, if supplied by our customers. We also post all service bulletins on our website at www.royalvenders.com. If for any reason a vender is moved to another location or is sold to another customer other than to whom Royal Vendors originally sent the machine, it is the responsibility of the original purchaser of the vender to notify the appropriate personnel of the service bulletin.

**ANY QUESTIONS? CONTACT ROYAL VENDORS' CUSTOMER SERVICE DEPARTMENT
IN NORTH AMERICA, CALL TOLL FREE 1 800 931 9214**



SERVICE BULLETIN 353

426 Industrial Boulevard • Kearneysville WV 25430-2776 • USA
Telephone: +1 304 728 7056 • technicalinquiry@royalvendors.com
Toll-free in North America: 1 800 931 9214 • Fax: +1 304 725 4016
Canada: +1 905 738 5777 • Mexico: +52 55 5203 6887
Europe: +49 2158 95 1000 • Australia: +61 2 9890 5433

Page: 2 of 2

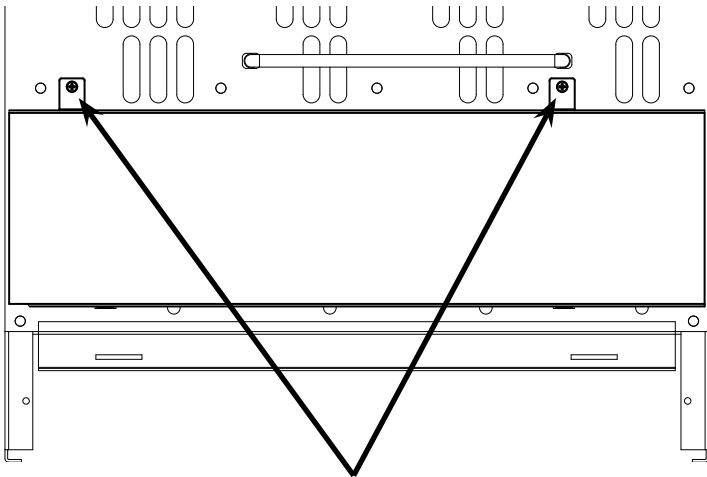
Date: 17 Nov 2011

Revision: 00

SUBJECT: Column Conversion to Accomodate 12 oz Cans in Merlin RB

MODELS: Merlin RB

Figure 2. Remove the wiring cover plate.



Using a Phillips screwdriver, remove these two screws. Then, remove the wiring cover plate.

Figure 3. Remove the rod that secures the product stop.

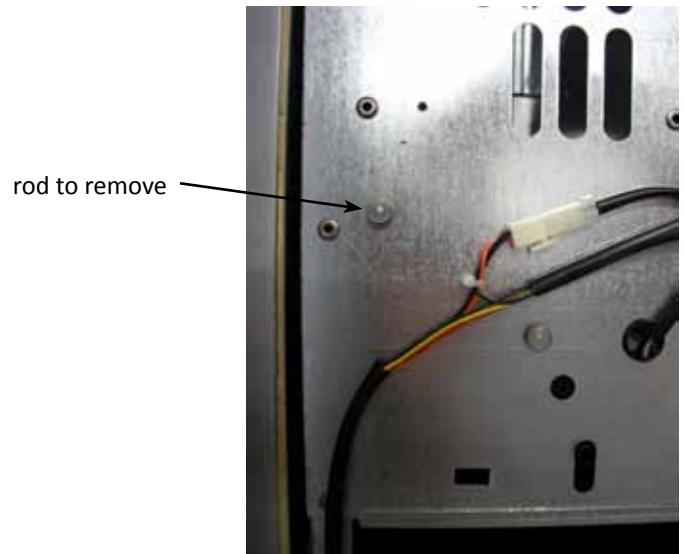
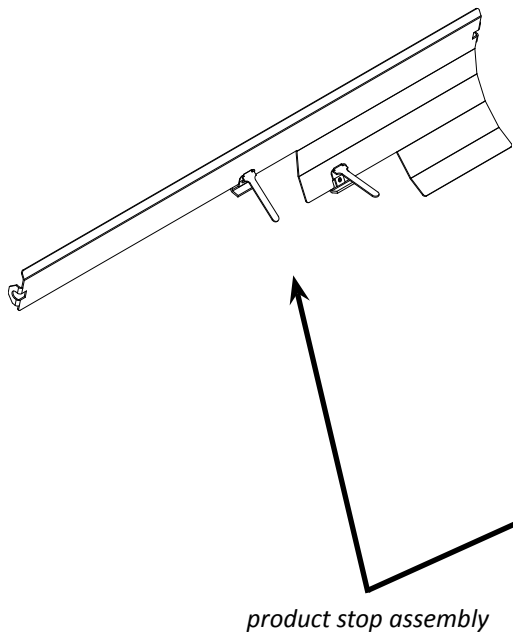
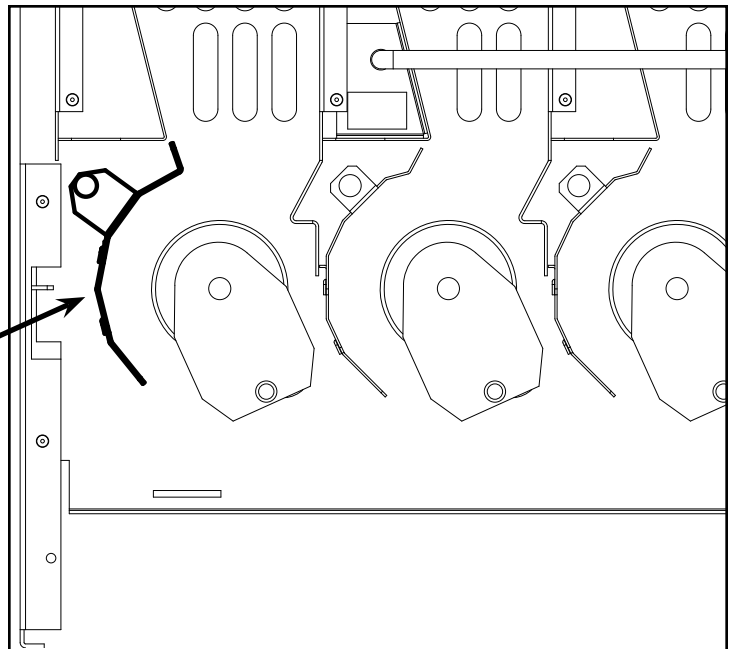


Figure 4. Install the new product stop assembly.



product stop assembly

Front view of column



**ANY QUESTIONS? CONTACT ROYAL VENDORS' CUSTOMER SERVICE DEPARTMENT
IN NORTH AMERICA, CALL TOLL FREE 1 800 931 9214**