



# SERVICE BULLETIN # 00034

201 INDUSTRIAL BOULEVARD • KEARNEYSVILLE, WV 25430

Phone: (304) 728-7056 • Fax: (304) 725-6579 • Toll Free: (800) 931-9214

PAGE: 1 of 7

DATE: 6-19-02

REVISION: 08

**SUBJECT:** Merlin 2000 Conversion Kit

**MODELS:** Electro-Mechanical (Can Display)

KIT NUMBER	KIT DESCRIPTION
025101	Can Display (416-10)
024101	Can Display (376-8)



*The following areas of this vender contain voltage, which can cause serious injury or even death. The main power cord, supplying 110 VAC to the evaporator, EMI filter, and refrigeration system. The power line from the EMI filter to the ballast and transformer. The ballast can produce upwards of 600 volts. Remove power from vender before working in any of these areas.*

**BEFORE WORKING ON VENDER:** Remove power from vender by unplugging vender's main power cord from the AC voltage power source (wall outlet).

## Instructions:

- 1- Remove wiring harness from cabinet and door.
- 2- Using Circuit Board Hole Jig (P/N A010,173,001), drill holes to mount Circuit Board. Mount Circuit Board using P.C. Board Spacers. (Refer to Service Bulletin #34, Sheet #2).
- 3- Mount transformer on panel directly above validator allowing ample room for validator to be installed.
- 4- Remove can chute from vender. Centrally locate sensor on the bottom side of the chute. Mark holes with a scribe, drill holes, and rivet sensor in place. (Refer to Service Bulletin #34, Sheet #3, Diagram #1).
- 5- Find door switch bracket. Locate on latch side of cabinet even with motor cover. Position bracket so that the switch is flush when door is closed. Do not locate too far out. Scribe, drill, and rivet bracket into place. (Refer to Service Bulletin #34, Sheet #3, Diagram #2).

### L.E.D. MOUNTING AND CONNECTION

- 1- Using L.E.D. Hole Jig (P/N A010,172,003), drill (2) holes for L.E.D. lights in coin insert. (Refer to Service Bulletin #34, Sheet #4 for exact position.)
- 2- Mount L.E.D. Window with "T" screw and nut. (Supplied with coin insert).
- 3- Remove (2) nuts on side of door beside coin insert and install Window Bracket to secure L.E.D. Window.
- 4- Stick on label on front of coin insert.
- 5- Snap in L.E.D. Lenses.
- 6- Mount L.E.D. by snapping onto L.E.D. Window. Securing with (2) Keps nuts. (Refer to Service Bulletin #34, Sheet 5, for steps 2, 3, & 6) (Refer to Service Bulletin #34, Sheet 4, for steps 4 & 5)

### INSTALLING THE IRON FERRITE JUMPER

- 1- Unplug the ballast lead from 2-way Mate-N-Lok socket in changer plug bracket.
- 2- Plug male end of Jumper into the 2-way Mate-N-Lok socket in changer plug bracket.
- 3- Plug ballast lead into female end of Jumper. (See Service Bulletin #34, Sheet 6)

**ANY QUESTIONS??? CONTACT ROYAL VENDORS' CUSTOMER SERVICE DEPARTMENT  
CALL TOLL FREE (800) 931-9214**



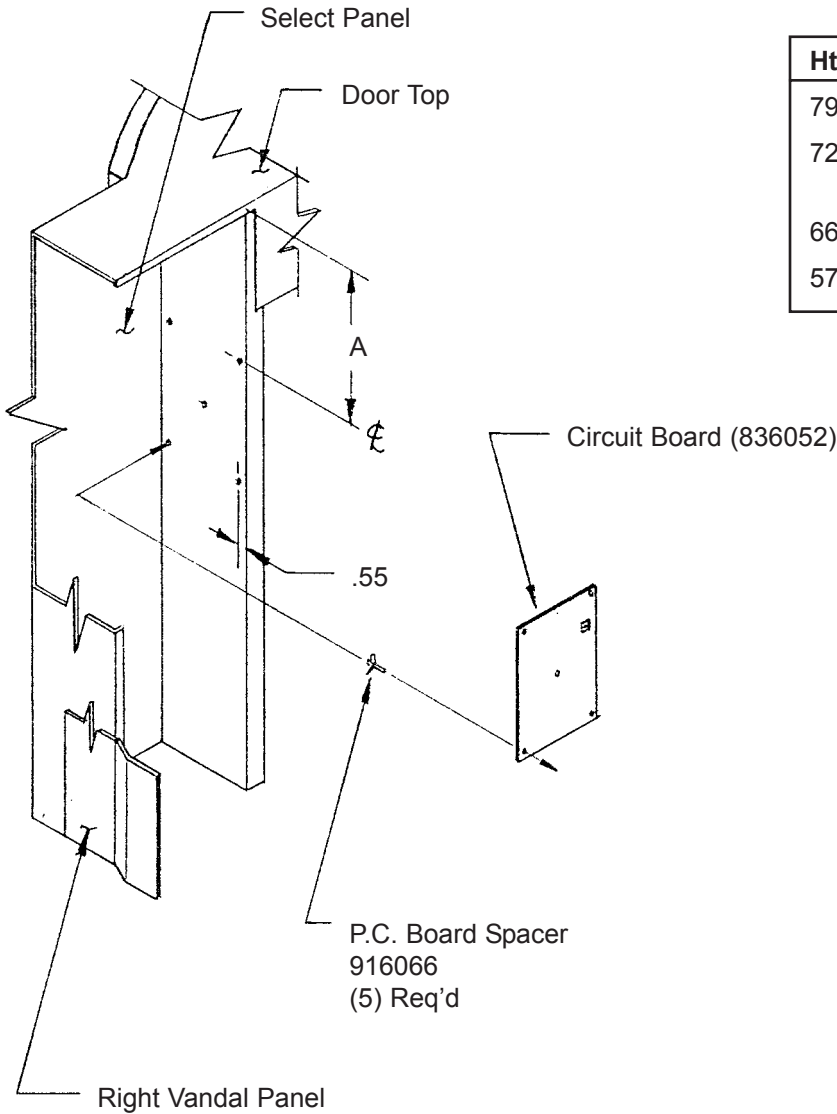
# SERVICE BULLETIN # 00034

201 INDUSTRIAL BOULEVARD • KEARNEYSVILLE, WV 25430  
 Phone: (304) 728-7056 • Fax: (304) 725-6579 • Toll Free: (800) 931-9214

PAGE: 2 of 7
DATE: 6-19-02
REVISION: 08

**SUBJECT:** Merlin 2000 Conversion Kit

**MODELS:** Electro-Mechanical (Can Display)



Ht.	Models	"A"
79"	687, 648, 482, 448, 416	17.50"
72"	588, 552, 404, 376, 350 282, 310	10.00"
66.5"	352, 328, 306, 246	4.50"
57.5"	200, 186	2.00"

**NOTES:**

1. All dimensions to holes are to centerlines.
2. Dimension "A" is measured from the top of the door.

**ANY QUESTIONS??? CONTACT ROYAL VENDORS' CUSTOMER SERVICE DEPARTMENT  
 CALL TOLL FREE (800) 931-9214**



# SERVICE BULLETIN # 00034

201 INDUSTRIAL BOULEVARD • KEARNEYSVILLE, WV 25430  
Phone: (304) 728-7056 • Fax: (304) 725-6579 • Toll Free: (800) 931-9214

PAGE: 3 of 7

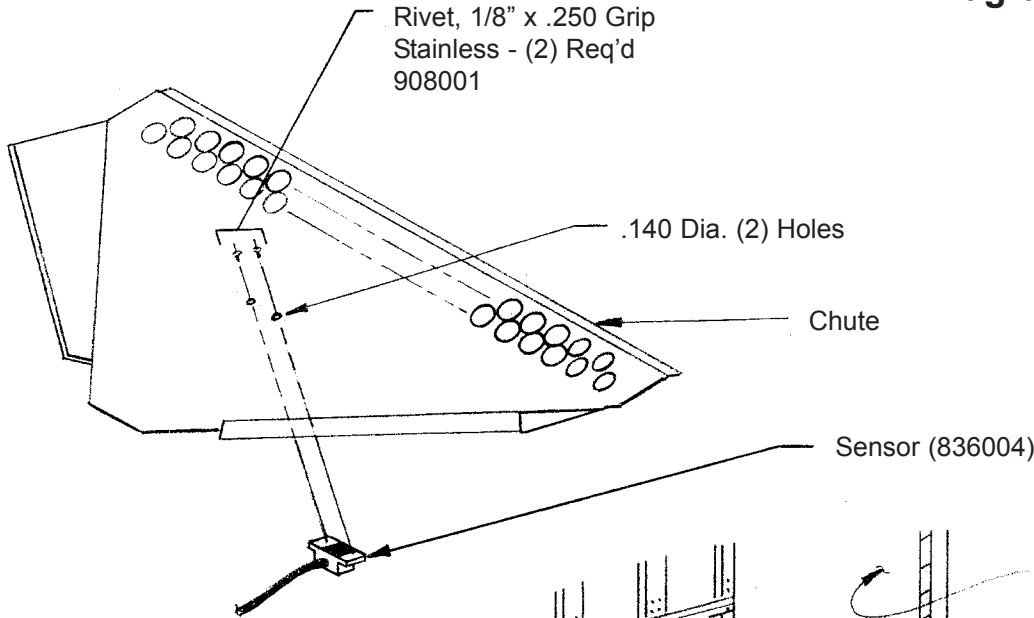
DATE: 6-19-02

REVISION: 08

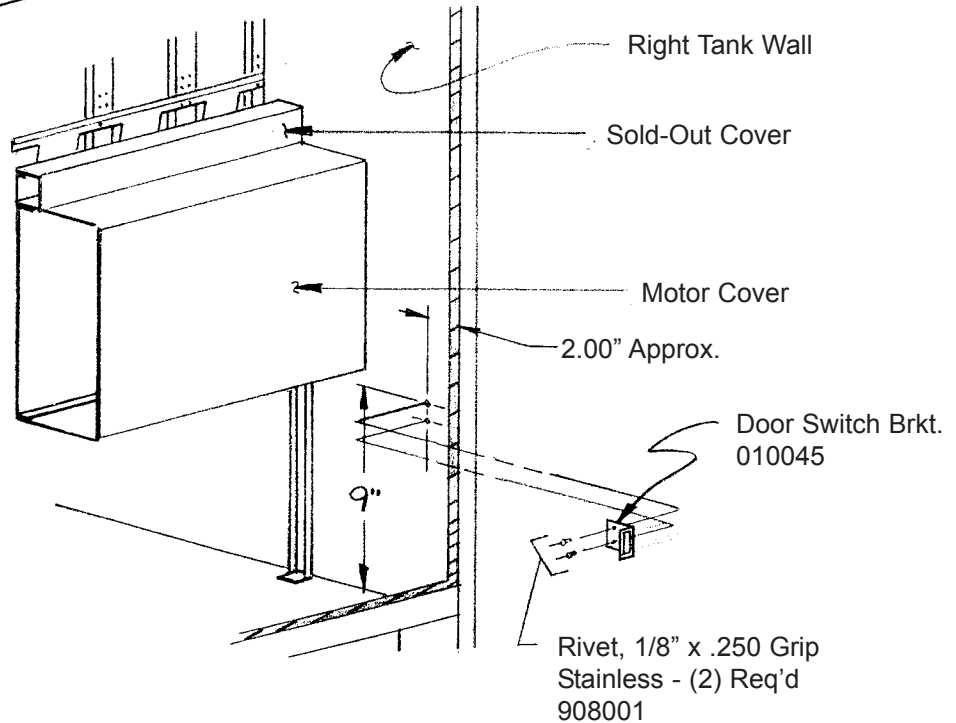
**SUBJECT:** Merlin 2000 Conversion Kit

**MODELS:** Electro-Mechanical (Can Display)

### Diagram 1



### Diagram 2



**ANY QUESTIONS??? CONTACT ROYAL VENDORS' CUSTOMER SERVICE DEPARTMENT  
CALL TOLL FREE (800) 931-9214**



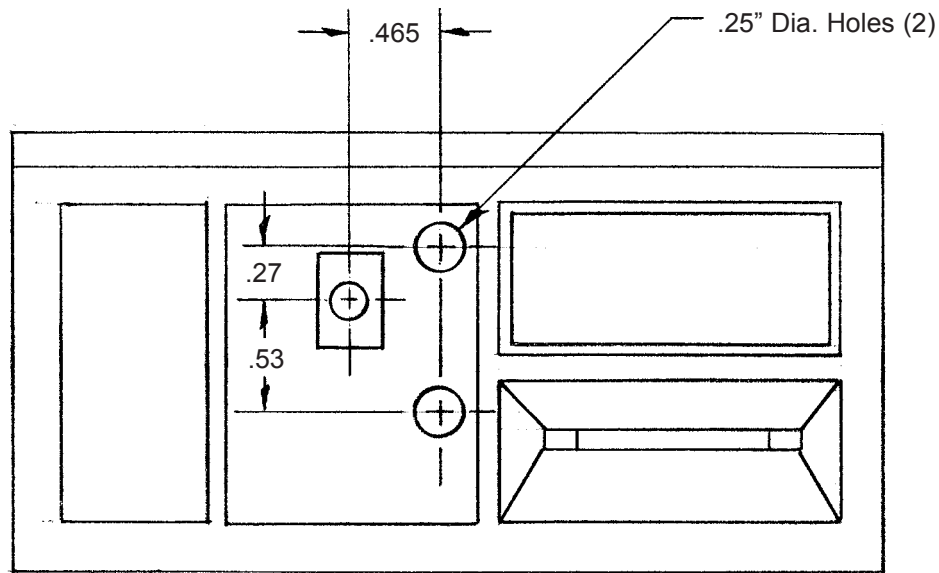
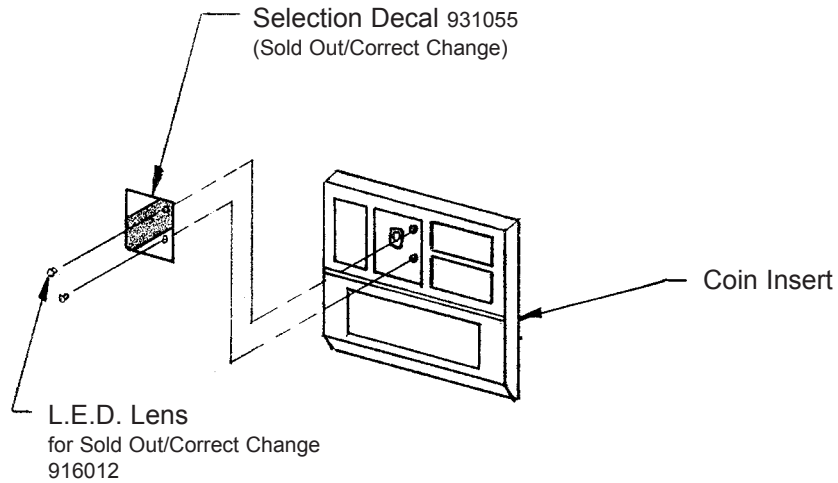
# SERVICE BULLETIN # 00034

201 INDUSTRIAL BOULEVARD • KEARNEYSVILLE, WV 25430  
Phone: (304) 728-7056 • Fax: (304) 725-6579 • Toll Free: (800) 931-9214

PAGE: 4 of 7
DATE: 6-19-02
REVISION: 08

**SUBJECT:** Merlin 2000 Conversion Kit

**MODELS:** Electro-Mechanical (Can Display)



**ANY QUESTIONS??? CONTACT ROYAL VENDORS' CUSTOMER SERVICE DEPARTMENT  
CALL TOLL FREE (800) 931-9214**



# SERVICE BULLETIN # 00034

201 INDUSTRIAL BOULEVARD • KEARNEYSVILLE, WV 25430  
Phone: (304) 728-7056 • Fax: (304) 725-6579 • Toll Free: (800) 931-9214

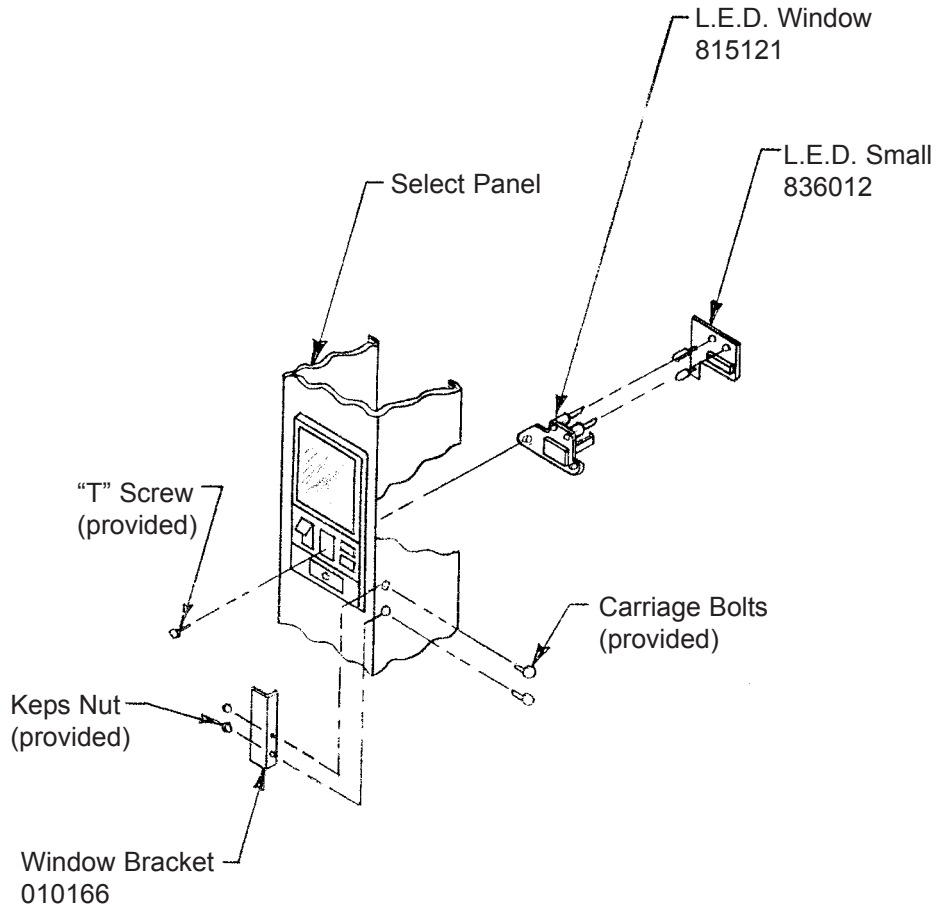
PAGE: 5 of 7

DATE: 6-19-02

REVISION: 08

**SUBJECT:** Merlin 2000 Conversion Kit

**MODELS:** Electro-Mechanical (Can Display)



**ANY QUESTIONS??? CONTACT ROYAL VENDORS' CUSTOMER SERVICE DEPARTMENT  
CALL TOLL FREE (800) 931-9214**



# SERVICE BULLETIN # 00034

201 INDUSTRIAL BOULEVARD • KEARNEYSVILLE, WV 25430

Phone: (304) 728-7056 • Fax: (304) 725-6579 • Toll Free: (800) 931-9214

PAGE: 6 of 7

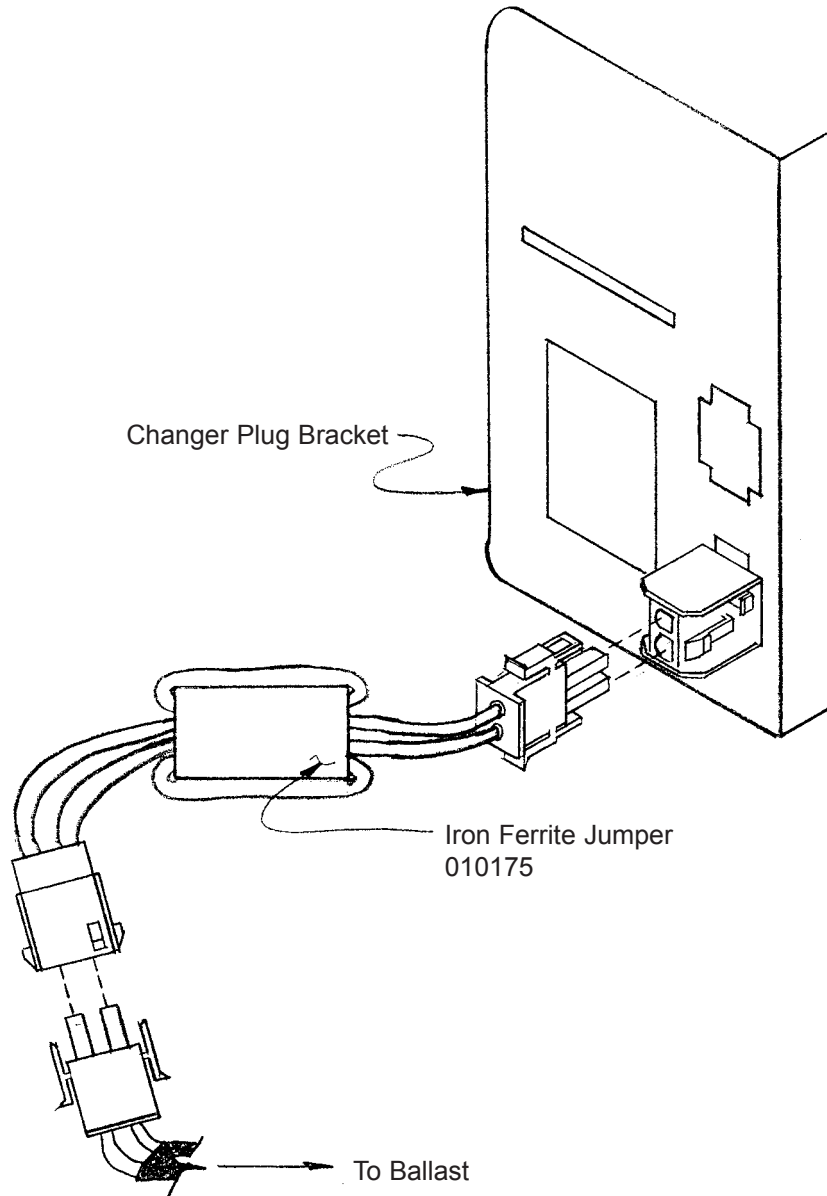
DATE: 6-19-02

REVISION: 08

**SUBJECT:** Merlin 2000 Conversion Kit

**MODELS:** Electro-Mechanical (Can Display)

1. Unplug ballast lead from changer plug bracket.
2. Plug male end of jumper to female end in changer plug bracket.
3. Plug female end of jumper to ballast lead.



**ANY QUESTIONS??? CONTACT ROYAL VENDORS' CUSTOMER SERVICE DEPARTMENT  
CALL TOLL FREE (800) 931-9214**



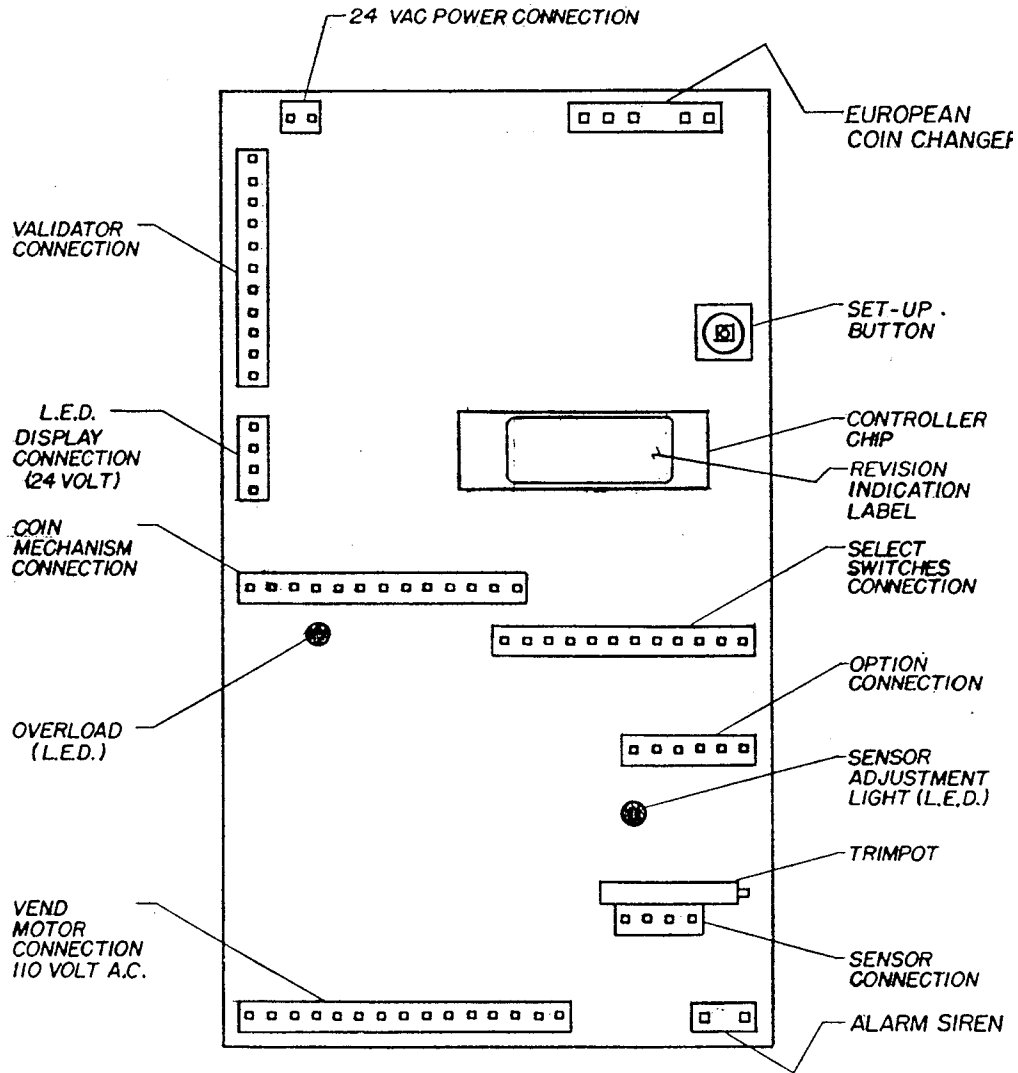
# SERVICE BULLETIN # 00034

201 INDUSTRIAL BOULEVARD • KEARNEYSVILLE, WV 25430  
Phone: (304) 728-7056 • Fax: (304) 725-6579 • Toll Free: (800) 931-9214

PAGE: 7 of 7
DATE: 6-19-02
REVISION: 08

**SUBJECT:** Merlin 2000 Conversion Kit

**MODELS:** Electro-Mechanical (Can Display)



- NOTES:
1. POWER PLUG FOR VALIDATOR CONNECTS TO POWER LEAD COMING OFF OF THE BALLAST.
  2. CAUTION: BE SURE CHANGER IS PROPERLY PLUGGED IN BEFORE PLUGGING IN THE 110 VOLT.

## Merlin 2000-Version 5/6

**ANY QUESTIONS???** CONTACT ROYAL VENDORS' CUSTOMER SERVICE DEPARTMENT  
**CALL TOLL FREE (800) 931-9214**