



SERVICE BULLETIN 341

426 Industrial Boulevard • Kearneysville WV 25430-2776 • USA
 Telephone: +1 304 728 7056 • technicalinquiry@royalvenders.com
 Toll-free in North America: 1 800 931 9214 • Fax: +1 304 725 4016
 Canada: +1 905 738 5777 • Mexico: +52 55 5203 6887
 Europe: +49 2158 95 1000 • Australia: +61 2 9890 5433

Page: 1 of 3

Date: 8 Feb 2011

Revision: 00

SUBJECT: RVV 500 Enclosed Coin Cup Kit Installation

Number of
People
Required



MODELS: RVV 500

KIT NUMBER **KIT DESCRIPTION**

356195 Enclosed Coin Cup Kit RVV 500

TOOLS REQUIRED: Drill with Phillips-head bit, ratchet with 3/8" (10 mm) socket, extension

ESTIMATED INSTALLATION TIME: 15 minutes

BULLETIN INFORMATION: This bulletin describes the procedure for installing the RVV 500 Enclosed Coin Cup Kit.



The following areas of this vender contain voltage which can cause serious injury or even death: the main power cord, supplying 115-230 VAC to the evaporator, EMI filter, and refrigeration system; the power line from the EMI filter to the ballast and transformer; and the ballast, which can produce upwards of 600 volts. Remove all power from the vender before working in any of these areas.

INSTALLATION INSTRUCTIONS:

1. Remove power by unplugging the vender's power cord from the AC voltage source (wall outlet).
2. Disconnect the changer's MDB harness. Then, remove the changer from the vender.
3. Remove the five nuts that secure the changer hat section in the vender. (Refer to Figure 1.) Remove the changer hat.
4. Remove the two nuts that secure the coin return cup in the door. (Refer to Figure 2.) Remove the cup.
5. Using the nuts that were removed in Step 4, install the new enclosed coin cup in the vender. (Refer to Figure 3.)
6. Remove the changer mounting screws and the coin chute from the old changer hat. Install these on the new changer hat. (Refer to Figure 4.)
7. Install the new changer hat in the vender. Secure it with the nuts that were removed in Step 3.
8. Reinstall the changer.
9. Restore power by plugging the vender's power cord into the AC voltage source (wall outlet).

In an effort to provide our customers with the latest information on our equipment, Royal Vendors sends service bulletins to customers using the original ship-to address or e-mail addresses, if supplied by our customers. We also post all service bulletins on our website at www.royalvenders.com. If for any reason a vender is moved to another location or is sold to another customer other than to whom Royal Vendors originally sent the machine, it is the responsibility of the original purchaser of the vender to notify the appropriate personnel of the service bulletin.

**ANY QUESTIONS? CONTACT ROYAL VENDORS' CUSTOMER SERVICE DEPARTMENT
 IN NORTH AMERICA, CALL TOLL FREE 1 800 931 9214**



SERVICE BULLETIN 341

426 Industrial Boulevard • Kearneysville WV 25430-2776 • USA
Telephone: +1 304 728 7056 • technicalinquiry@royalvendors.com
Toll-free in North America: 1 800 931 9214 • Fax: +1 304 725 4016
Canada: +1 905 738 5777 • Mexico: +52 55 5203 6887
Europe: +49 2158 95 1000 • Australia: +61 2 9890 5433

Page: 2 of 3

Date: 8 Feb 2011

Revision: 00

SUBJECT: RVV 500 Enclosed Coin Cup Kit Installation

MODELS: RVV 500

Figure 1.

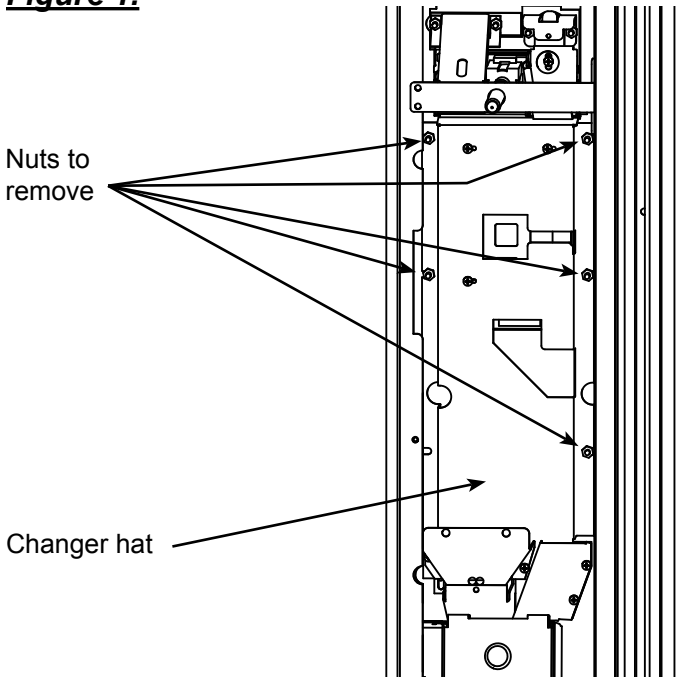


Figure 2.

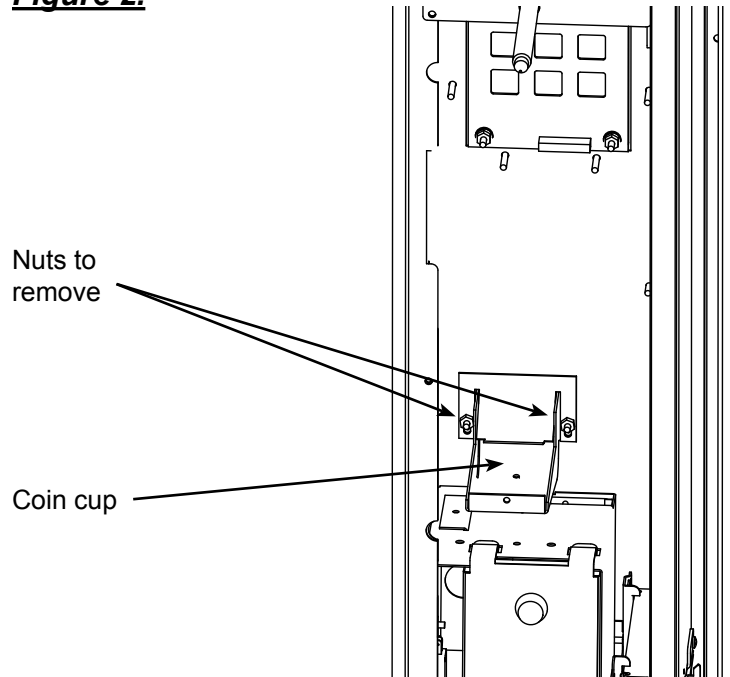
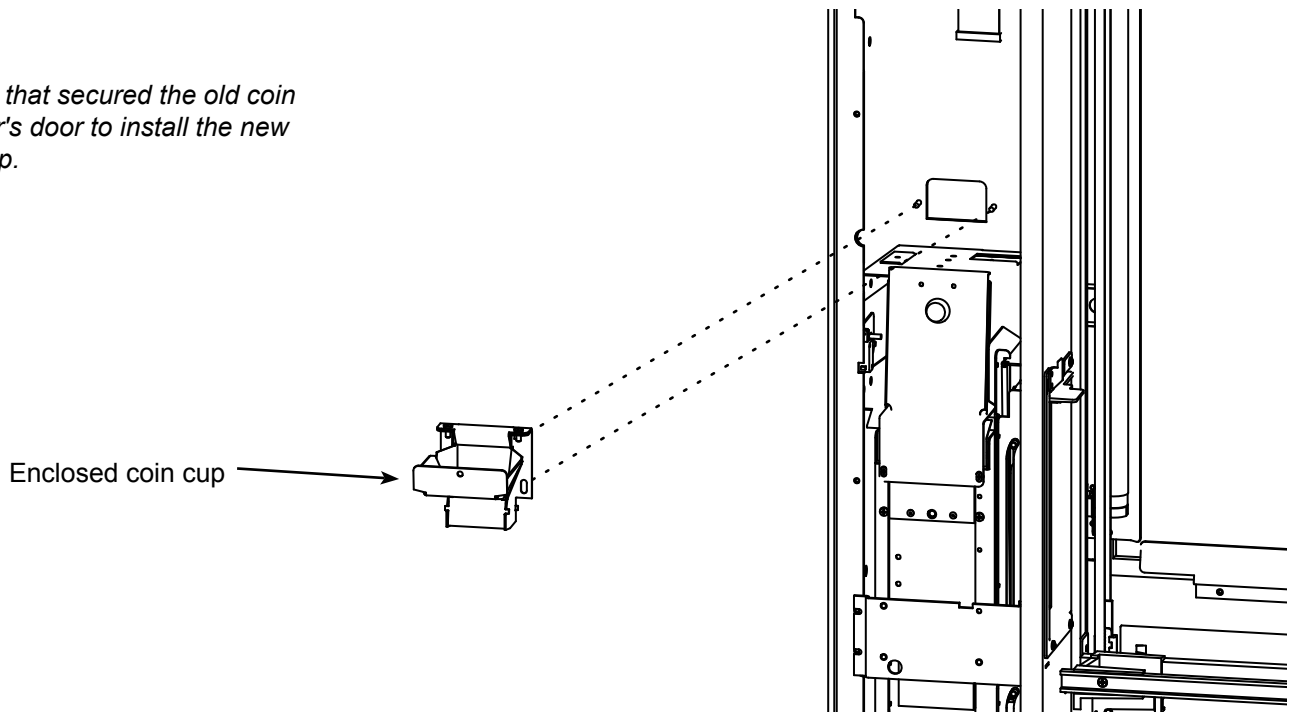


Figure 3.

Use the two nuts that secured the old coin cup in the vender's door to install the new enclosed coin cup.



**ANY QUESTIONS? CONTACT ROYAL VENDORS' CUSTOMER SERVICE DEPARTMENT
IN NORTH AMERICA, CALL TOLL FREE 1 800 931 9214**



SERVICE BULLETIN 341

426 Industrial Boulevard • Kearneysville WV 25430-2776 • USA
Telephone: +1 304 728 7056 • technicalinquiry@royalvendors.com
Toll-free in North America: 1 800 931 9214 • Fax: +1 304 725 4016
Canada: +1 905 738 5777 • Mexico: +52 55 5203 6887
Europe: +49 2158 95 1000 • Australia: +61 2 9890 5433

Page: 3 of 3

Date: 8 Feb 2011

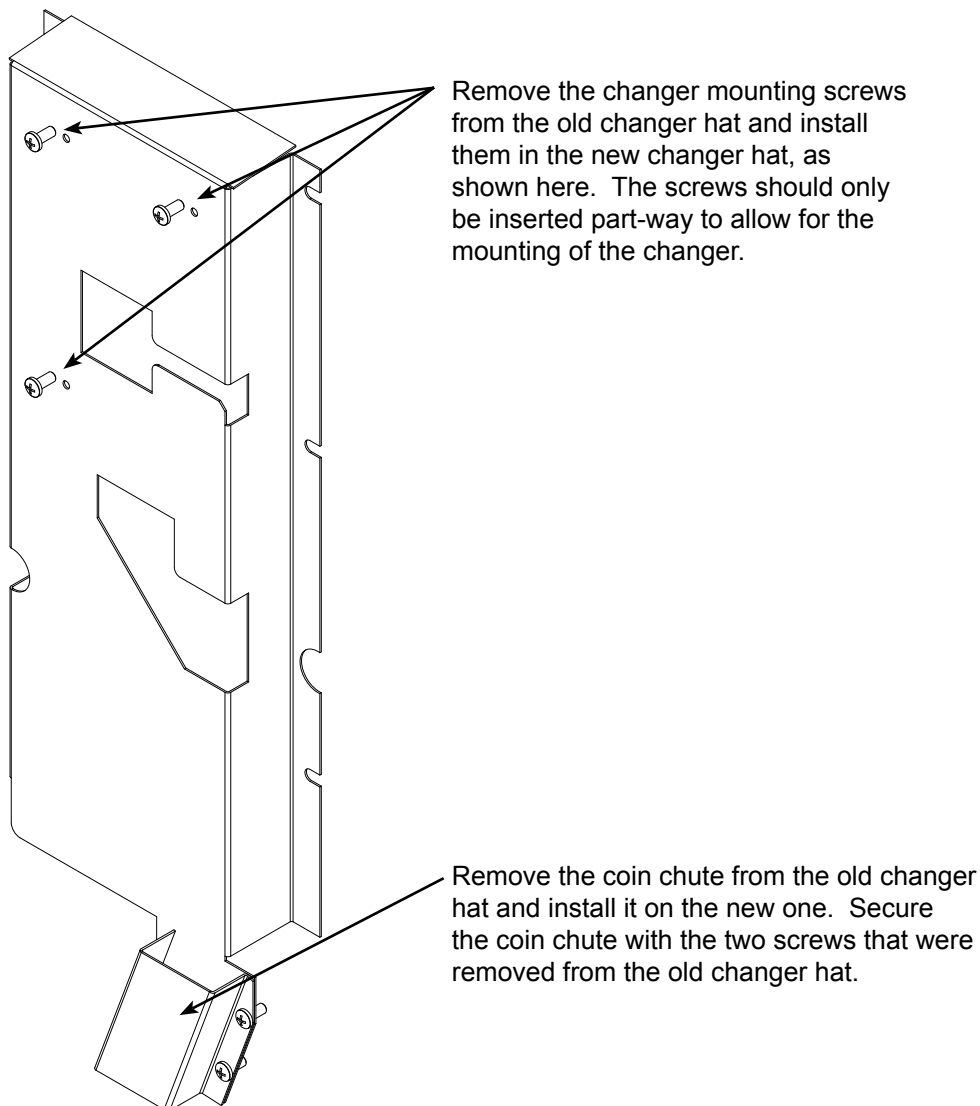
Revision: 00

SUBJECT: RVV 500 Enclosed Coin Cup Kit Installation

MODELS: RVV 500

Figure 4.

New changer hat section



**ANY QUESTIONS? CONTACT ROYAL VENDORS' CUSTOMER SERVICE DEPARTMENT
IN NORTH AMERICA, CALL TOLL FREE 1 800 931 9214**