



SERVICE BULLETIN 332

426 Industrial Boulevard • Kearneysville WV 25430-2776 • USA
 Telephone: +1 304 728 7056 • technicalinquiry@royalvenders.com
 Toll-free in North America: 1 800 931 9214 • Fax: +1 304 725 4016
 Canada: +1 905 738 5777 • Mexico: +52 55 5203 6887
 Europe: +49 2158 95 1000 • Australia: +61 2 9890 5433

Page: 1 of 3

Date: 1 Sep 10

Revision: 00

SUBJECT: Membrane Switch Keypad Conversion Kit Installation

Number of
People
Required



MODELS: RVV NG


KIT NUMBER **KIT DESCRIPTION**

355110 Membrane Switch Keypad Conversion Kit

TOOLS REQUIRED: Socket wrench with 11/32" (9 mm) socket

ESTIMATED INSTALLATION TIME: <10 minutes

REASON FOR BULLETIN: This bulletin explains the procedure for replacing the older RVV 500 touchpad with the newer membrane-switch keypad.



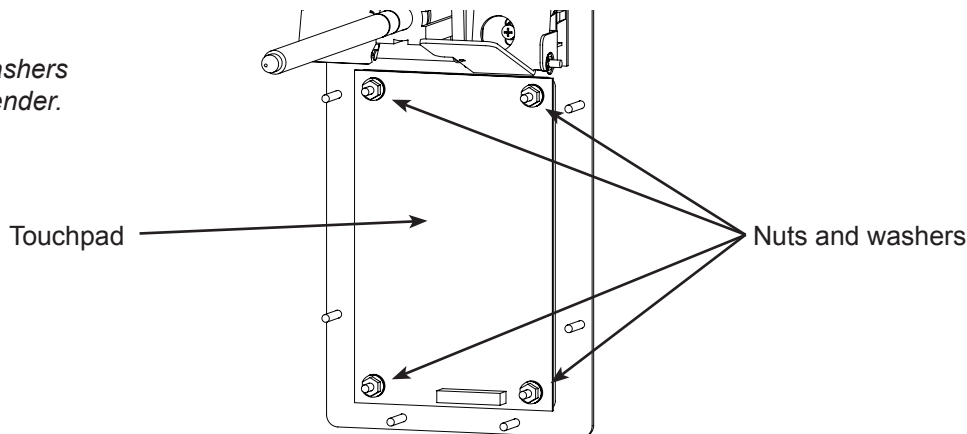
The following areas of this vender contain voltage which can cause serious injury or even death: the main power cord, supplying 115-230 VAC to the evaporator, EMI filter, and refrigeration system; the power line from the EMI filter to the ballast and transformer; and the ballast, which can produce upwards of 600 volts. Remove all power from the vender before working in any of these areas.

INSTALLATION INSTRUCTIONS:

1. Remove power by unplugging the vender's power cord from the AC voltage source (wall outlet).
2. Disconnect the harness to the existing touchpad, both at the touchpad and at the VMC board. Remove the harness from the vender.
3. Using a 11/32" (9 mm) socket, remove the four nuts that secure the existing touchpad in the vender. Also, remove the four washers behind these four nuts. (Refer to Figure 1.)
4. Remove the existing touchpad from the vender.
5. Remove the clear touchpad window.
6. Install the clear plastic cover from the kit as shown in Figure 2.
7. Install the front plate for the membrane-switch keypad as shown in Figure 3.
8. Install the keypad, ensuring that the numbers face the front plate.
9. Install the back plate. (Refer to Figure 4.)
10. Install the washers on the threadstuds. Then, install the four nuts. Tighten them with the 11/32" (9 mm) socket.
11. Attach one end of the harness from the kit to the keypad pigtail. Route the harnessing to the VMC appropriately, and plug it in to position P3 on the VMC.
12. Restore power by plugging the vender's power cord into the AC voltage source (wall outlet).
13. Test the keypad for function and reliability.

Figure 1.

Remove the four nuts and four washers that secure the touchpad in the vender.



In an effort to provide our customers with the latest information on our equipment, Royal Vendors sends service bulletins to customers using the original ship-to address or e-mail addresses, if supplied by our customers. We also post all service bulletins on our website at www.royalvenders.com. If for any reason a vender is moved to another location or is sold to another customer other than to whom Royal Vendors originally sent the machine, it is the responsibility of the original purchaser of the vender to notify the appropriate personnel of the service bulletin.

**ANY QUESTIONS? CONTACT ROYAL VENDORS' CUSTOMER SERVICE DEPARTMENT
 IN NORTH AMERICA, CALL TOLL FREE 1 800 931 9214**



SERVICE BULLETIN 332

426 Industrial Boulevard • Kearneysville WV 25430-2776 • USA
Telephone: +1 304 728 7056 • technicalinquiry@royalvendors.com
Toll-free in North America: 1 800 931 9214 • Fax: +1 304 725 4016
Canada: +1 905 738 5777 • Mexico: +52 55 5203 6887
Europe: +49 2158 95 1000 • Australia: +61 2 9890 5433

Page: 2 of 3

Date: 1 Sep 10

Revision: 00

SUBJECT: Membrane Switch Keypad Conversion Kit Installation

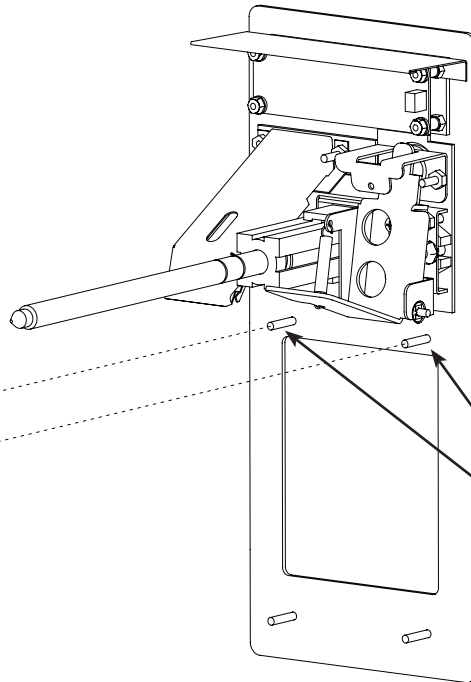
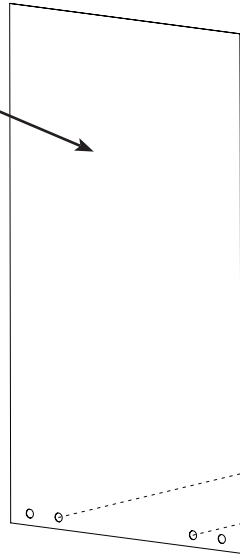
MODELS: RVV NG

Figure 2. Installation of the clear plastic cover.

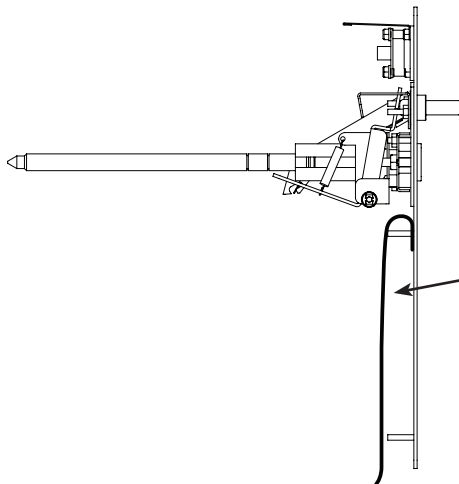
Note: In this illustration, the security plate assembly is shown removed from the vender for clarity.

Clear plastic cover

Place the cover on the threadstuds as illustrated here. Once the rest of the kit has been installed, this cover will hang over and down behind the keypad and its plates, similar to the illustration below.



Threadstuds



Plastic cover

As seen here in a side-profile view, the plastic cover will hang up and over to help protect the keypad.

ANY QUESTIONS? CONTACT ROYAL VENDORS' CUSTOMER SERVICE DEPARTMENT IN NORTH AMERICA, CALL TOLL FREE 1 800 931 9214



SERVICE BULLETIN 332

426 Industrial Boulevard • Kearneysville WV 25430-2776 • USA
Telephone: +1 304 728 7056 • technicalinquiry@royalvendors.com
Toll-free in North America: 1 800 931 9214 • Fax: +1 304 725 4016
Canada: +1 905 738 5777 • Mexico: +52 55 5203 6887
Europe: +49 2158 95 1000 • Australia: +61 2 9890 5433

Page: 3 of 3

Date: 1 Sep 10

Revision: 00

SUBJECT: Membrane Switch Keypad Conversion Kit Installation

MODELS: RVV NG

Figure 3.

Keypad front plate installation

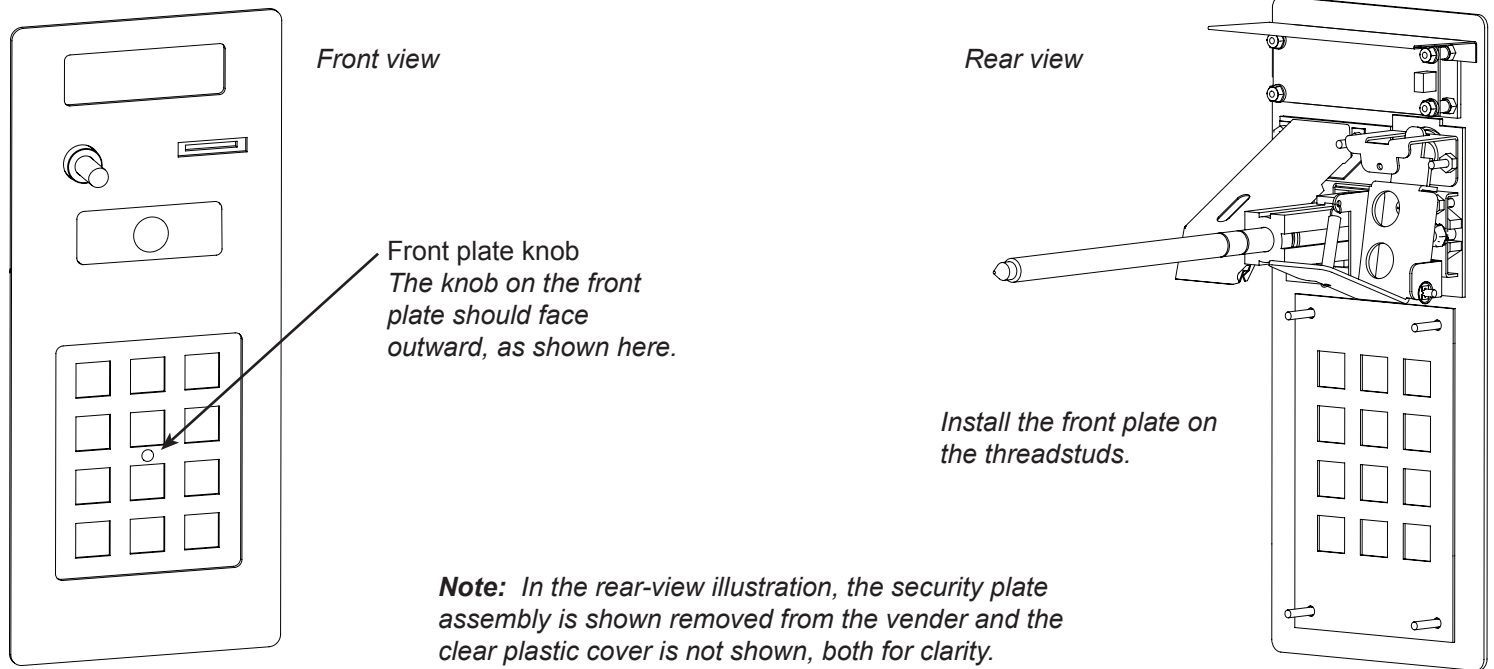
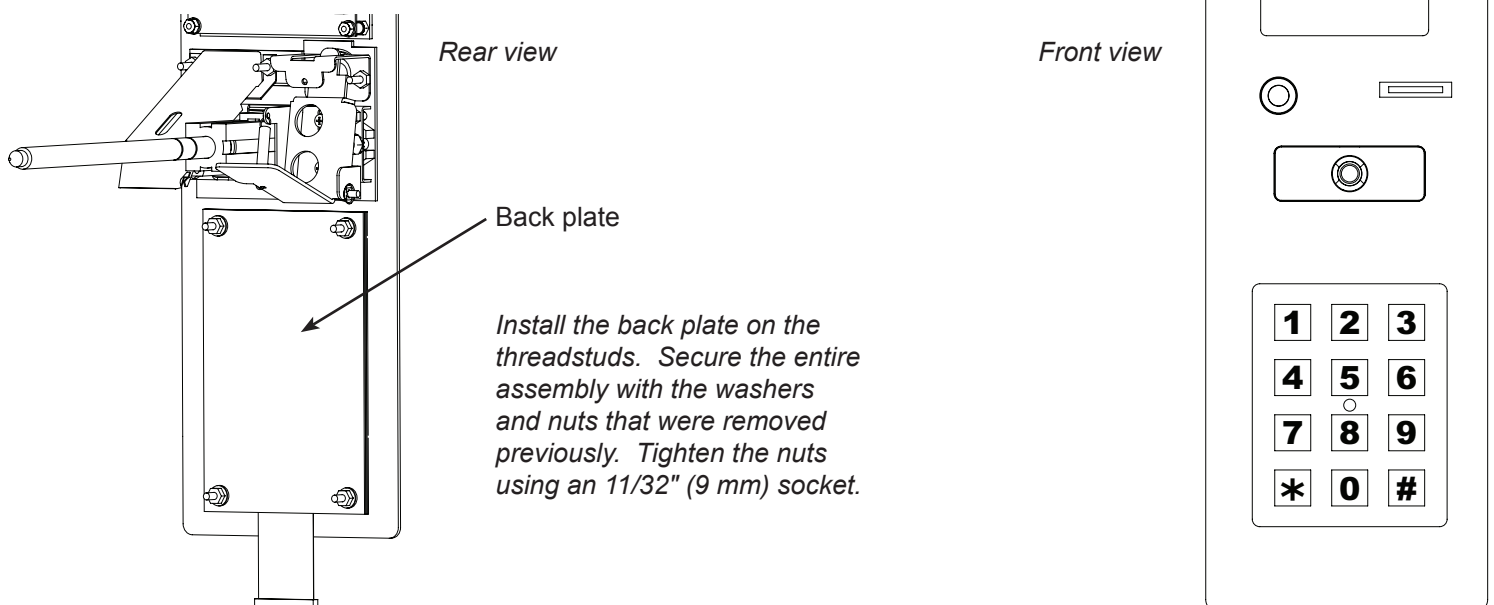


Figure 4.

Finished product



ANY QUESTIONS? CONTACT ROYAL VENDORS' CUSTOMER SERVICE DEPARTMENT IN NORTH AMERICA, CALL TOLL FREE 1 800 931 9214