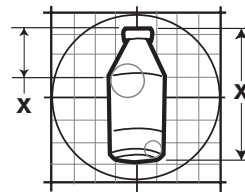




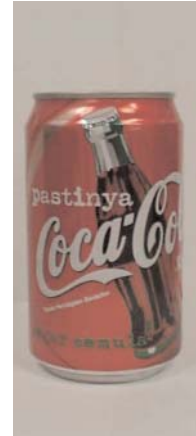
032 Package Vending Specification

201 Industrial Boulevard • Kearneysville, WV 25430
 Phone: (304) 728-7056 • Fax: (304) 725-6579



PAGE: 1 of 1
DATE: 1-7-02
REVISION: 00

PRODUCT NAME: 325 mL Coca-Cola (Malaysia)
 BOTTLER / COMPANY: Coca-Cola
 VOLUME: 325 mL
 PACKAGE TYPE: Can
 HEIGHT: 4.56 in. / 11.6 cm
 WEIGHT: 0.8 lbs. / 0.36 kg
 DIAMETER: 2.6 in. / 6.6 cm

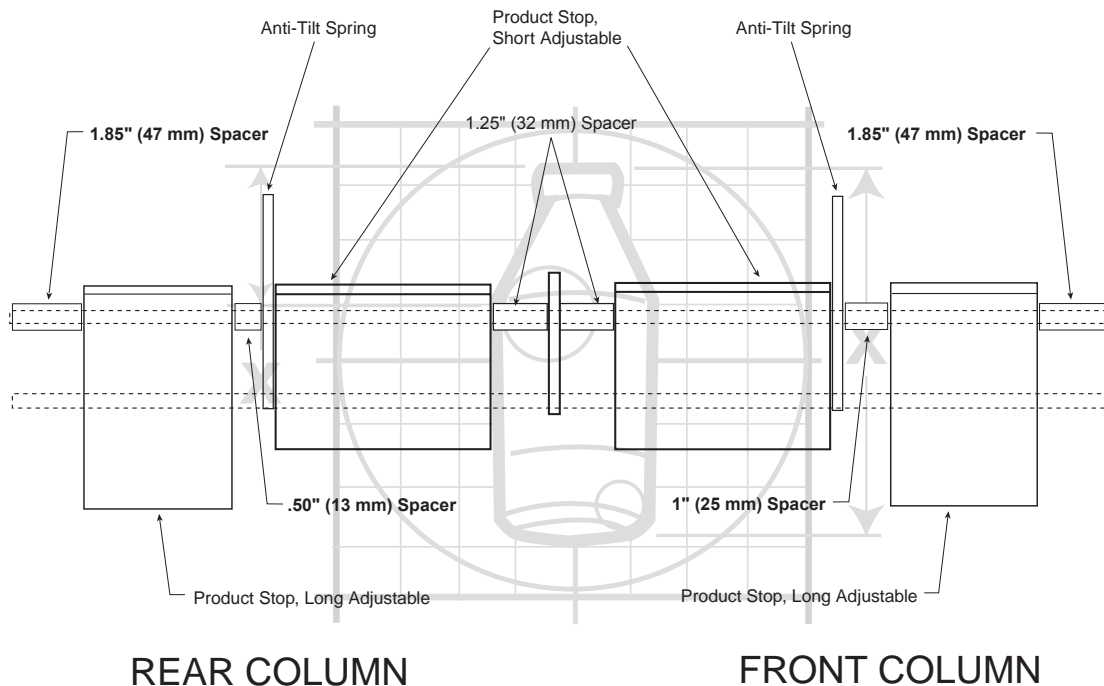


APPROVED VENDERS				
VENDER	RETAINERS		79" CAPACITY	
	Front	Rear	Front	Rear
GIII	2	3	62	62

Kits / Parts: None required.

SPECIAL INSTRUCTIONS: Switch product stop rod spacers as shown below. Set product stops to can position. Set selection depth to 2.

Note: Before working on vender, remove power by unplugging the vender's main power cord from the AC voltage power source (wall outlet).



ANY QUESTIONS??? CONTACT ROYAL VENDORS' CUSTOMER SERVICE DEPARTMENT
CALL TOLL FREE (800) 931-9214