



SERVICE BULLETIN 328

426 Industrial Boulevard • Kearneysville WV 25430-2776 • USA
 Telephone: +1 304 728 7056 • technicalinquiry@royalvenders.com
 Toll-free in North America: 1 800 931 9214 • Fax: +1 304 725 4016
 Canada: +1 905 738 5777 • Mexico: +52 55 5203 6887
 Europe: +49 2158 95 1000 • Australia: +61 2 9890 5433

Page: 1 of 2

Date: 2 Aug 10

Revision: 00

SUBJECT: RVV NG ADA Changer Guard Kit Installation

Number of
People
Required



MODELS: RVV NG with ADA door

KIT NUMBER **KIT DESCRIPTION**

366108 RVV NG ADA Changer Guard Kit

TOOLS REQUIRED: Phillips screwdriver, 5/8" (16 mm) wrench, socket wrench with 7/16" (11 mm) socket

ESTIMATED INSTALLATION TIME: 10 minutes

REASON FOR BULLETIN: This bulletin explains the procedure for installing a changer guard kit in RVV 500 venders with ADA-compliant doors.



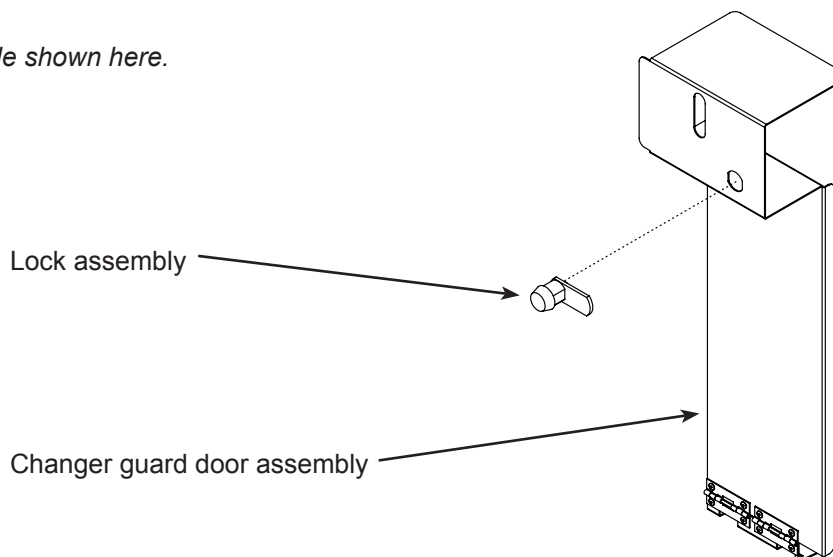
The following areas of this vender contain voltage which can cause serious injury or even death: the main power cord, supplying 115-230 VAC to the evaporator, EMI filter, and refrigeration system; the power line from the EMI filter to the ballast and transformer; and the ballast, which can produce upwards of 600 volts. Remove all power from the vender before working in any of these areas.

INSTALLATION INSTRUCTIONS:

1. Remove power by unplugging the vender's power cord from the AC voltage source (wall outlet).
2. Install the cash box lock into the changer guard door assembly as shown in Figure 1. To install the lock, remove the nut and the locking tab from the lock assembly. Then, insert the lock in the hole in the changer guard door. Next, re-install the locking tab, and secure it with the nut. Tighten the nut with a 5/8" (16 mm) wrench.
3. Using a 7/16" (11 mm) socket, remove the nut from the carriage bolt pointed out in Figure 2. Remove the carriage bolt.
4. Place the changer guard assembly into position in the vender, as shown in Figure 3.
5. Secure the left side of the changer guard assembly with the carriage bolt and nut that were removed in Step 3. Tighten the nut with a 7/16" (11 mm) socket.
6. Using a Phillips screwdriver, secure the right side of the changer guard with the two screws from the kit. (Refer to Figure 4.)
7. Close the changer guard. Secure it by turning the lock so that it catches the T-handle brace.
8. Restore power by plugging the vender's power cord into the AC voltage source (wall outlet).

Figure 1.

Insert the lock into the hole shown here.



In an effort to provide our customers with the latest information on our equipment, Royal Vendors sends service bulletins to customers using the original ship-to address or e-mail addresses, if supplied by our customers. We also post all service bulletins on our website at www.royalvenders.com. If for any reason a vender is moved to another location or is sold to another customer other than to whom Royal Vendors originally sent the machine, it is the responsibility of the original purchaser of the vender to notify the appropriate personnel of the service bulletin.

**ANY QUESTIONS? CONTACT ROYAL VENDORS' CUSTOMER SERVICE DEPARTMENT
 IN NORTH AMERICA, CALL TOLL FREE 1 800 931 9214**



SERVICE BULLETIN 328

426 Industrial Boulevard • Kearneysville WV 25430-2776 • USA
Telephone: +1 304 728 7056 • technicalinquiry@royalvendors.com
Toll-free in North America: 1 800 931 9214 • Fax: +1 304 725 4016
Canada: +1 905 738 5777 • Mexico: +52 55 5203 6887
Europe: +49 2158 95 1000 • Australia: +61 2 9890 5433

Page: 2 of 2

Date: 2 Aug 10

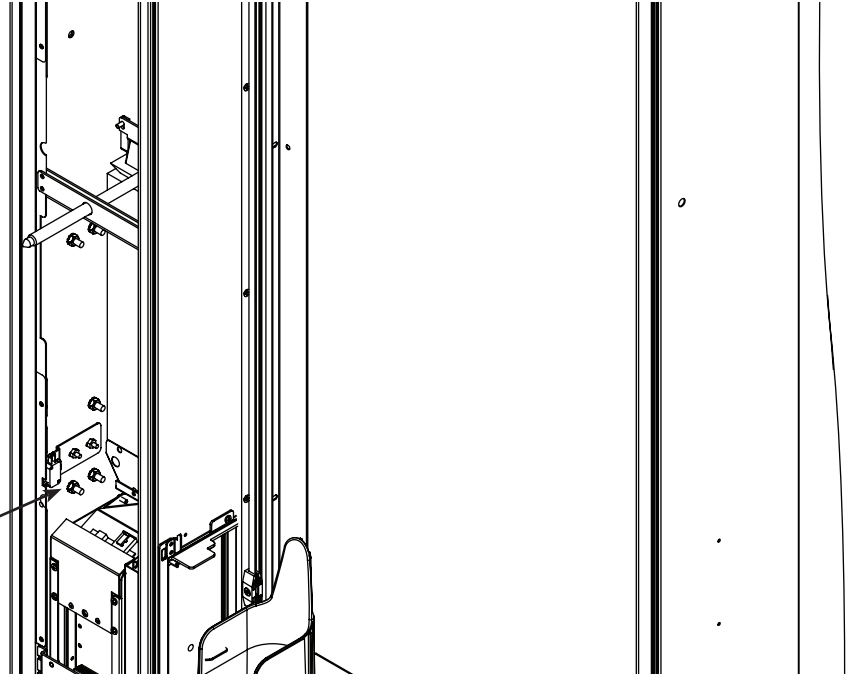
Revision: 00

SUBJECT: RVV NG ADA Changer Guard Kit Installation

MODELS: RVV NG with ADA door

Figure 2.

Remove the nut shown here.



Use a 7/16" (11 mm) socket to remove this nut. Then, remove the carriage bolt.

Figure 3.

Changer guard installed in place.

Once the changer guard is in place, secure the left side of the hinge section with the carriage bolt and nut that were previously removed.

Tighten the nut with a 7/16" (11 mm) wrench.

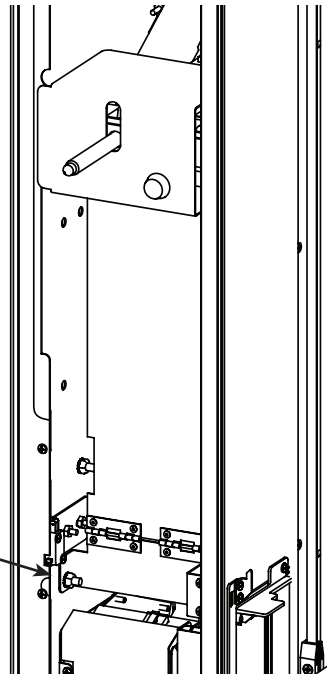
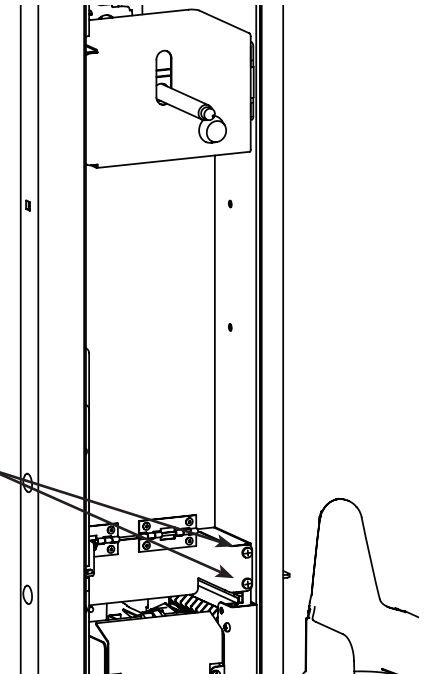


Figure 4.

Placement of right-side screws.

Using a Phillips screwdriver, secure the right side of the changer guard with the two screws from the kit.



**ANY QUESTIONS? CONTACT ROYAL VENDORS' CUSTOMER SERVICE DEPARTMENT
IN NORTH AMERICA, CALL TOLL FREE 1 800 931 9214**