



SERVICE BULLETIN 327

426 Industrial Boulevard • Kearneysville WV 25430-2776 • USA
 Telephone: +1 304 728 7056 • technicalinquiry@royalvenders.com
 Toll-free in North America: 1 800 931 9214 • Fax: +1 304 725 4016
 Canada: +1 905 738 5777 • Mexico: +52 55 5203 6887
 Europe: +49 2158 95 1000 • Australia: +61 2 9890 5433

Page: 1 of 2

Date: 30 Jul 10

Revision: 00

SUBJECT: RVV NG ADA Validator Security Door Installation

Number of
People
Required



MODELS: RVV NG with ADA door

KIT NUMBER	KIT DESCRIPTION
366104	RVV NG ADA Validator Security Door Kit

TOOLS REQUIRED: Socket wrench with 3/8" (10 mm) and 7/16" (11 mm) sockets

ESTIMATED INSTALLATION TIME: 10 minutes

REASON FOR BULLETIN: This bulletin explains the procedure for installing a validator security door in RVV 500 venders with ADA-compliant doors.



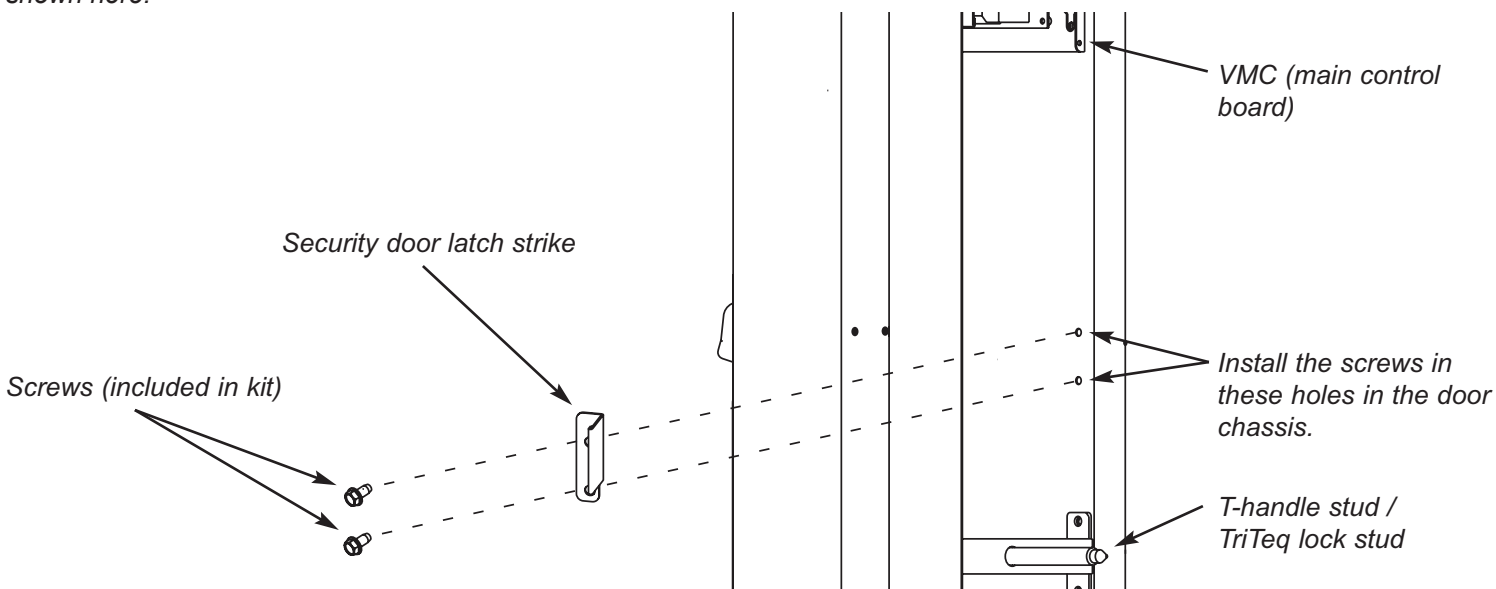
The following areas of this vender contain voltage which can cause serious injury or even death: the main power cord, supplying 115-230 VAC to the evaporator, EMI filter, and refrigeration system; the power line from the EMI filter to the ballast and transformer; and the ballast, which can produce upwards of 600 volts. Remove all power from the vender before working in any of these areas.

INSTALLATION INSTRUCTIONS:

1. Remove power by unplugging the vender's power cord from the AC voltage source (wall outlet).
2. Mount the security door latch strike in the location shown in Figure 1. Using a 3/8" (10 mm) socket, secure the latch strike with the two bolts included in the kit.
3. Using a 7/16" (11 mm) socket, remove the nuts from two carriage bolts pointed out in Figure 2. (Remove only the nuts, not the carriage bolts.)
4. Mount the security door in place. Secure it with the two nuts that were removed in Step 3. (Refer to Figure 3.)
5. Restore power by plugging the vender's power cord into the AC voltage source (wall outlet).

Figure 1.

Install security door latch strike as shown. Secure it with the two screws included in the kit. Insert the screws into the two holes in the door chassis shown here.



In an effort to provide our customers with the latest information on our equipment, Royal Vendors sends service bulletins to customers using the original ship-to address or e-mail addresses, if supplied by our customers. We also post all service bulletins on our website at www.royalvenders.com. If for any reason a vender is moved to another location or is sold to another customer other than to whom Royal Vendors originally sent the machine, it is the responsibility of the original purchaser of the vender to notify the appropriate personnel of the service bulletin.

**ANY QUESTIONS? CONTACT ROYAL VENDORS' CUSTOMER SERVICE DEPARTMENT
IN NORTH AMERICA, CALL TOLL FREE 1 800 931 9214**



SERVICE BULLETIN 327

426 Industrial Boulevard • Kearneysville WV 25430-2776 • USA
Telephone: +1 304 728 7056 • technicalinquiry@royalvendors.com
Toll-free in North America: 1 800 931 9214 • Fax: +1 304 725 4016
Canada: +1 905 738 5777 • Mexico: +52 55 5203 6887
Europe: +49 2158 95 1000 • Australia: +61 2 9890 5433

Page: 2 of 2

Date: 30 Jul 10

Revision: 00

SUBJECT: RVV NG ADA Validator Security Door Installation

MODELS: RVV NG with ADA door

Figure 2.

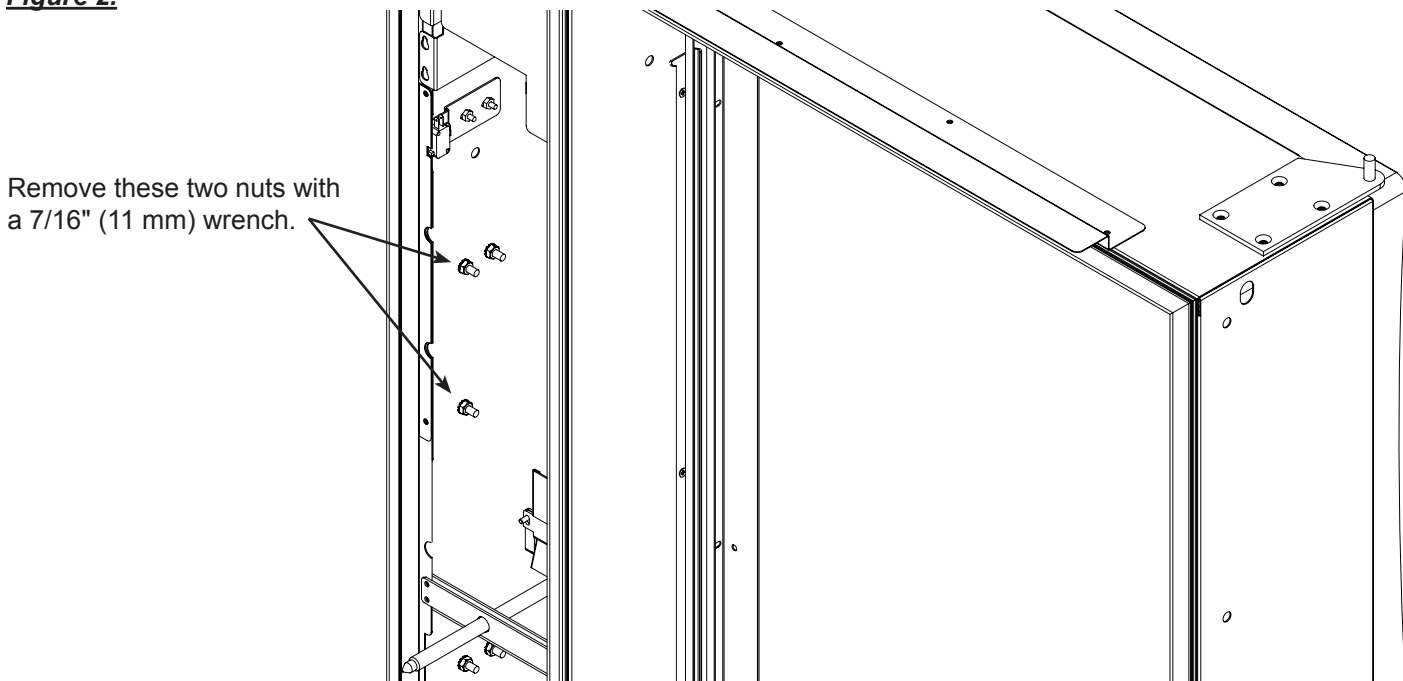
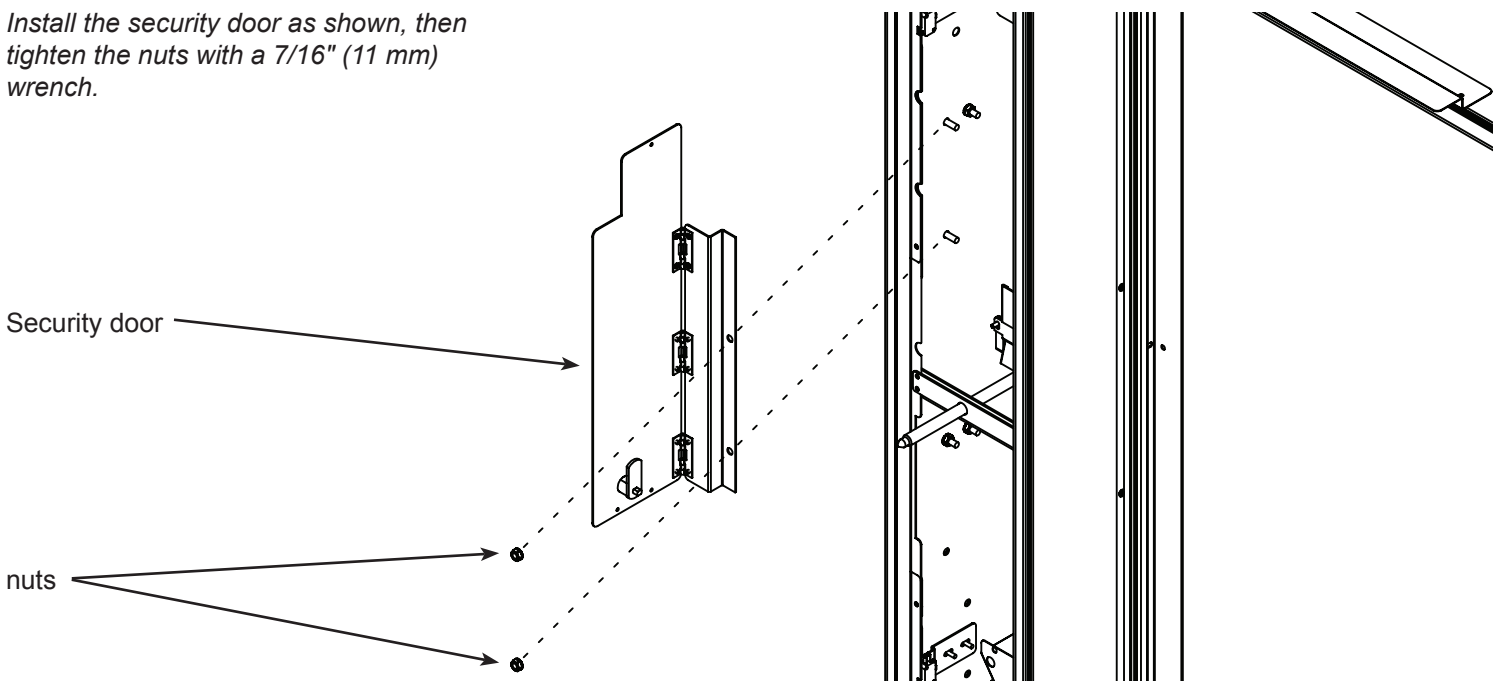


Figure 3.

Install the security door as shown, then tighten the nuts with a 7/16" (11 mm) wrench.



**ANY QUESTIONS? CONTACT ROYAL VENDORS' CUSTOMER SERVICE DEPARTMENT
IN NORTH AMERICA, CALL TOLL FREE 1 800 931 9214**