



Helpful Hints 0031

clear & easy

201 INDUSTRIAL BOULEVARD • KEARNEYSVILLE, WV 25430
Phone: (304) 728-7056 • Fax: (304) 725-6579 • Toll Free: (800) 931-9214

PAGE: 1 of 1

DATE: 3-19-04

REVISION: 00

SUBJECT: Replacing RVV Cell Assemblies with Original Lockout Mechanism

of People
Required



MODELS: RVV

TOOLS REQUIRED: Phillips screwdriver

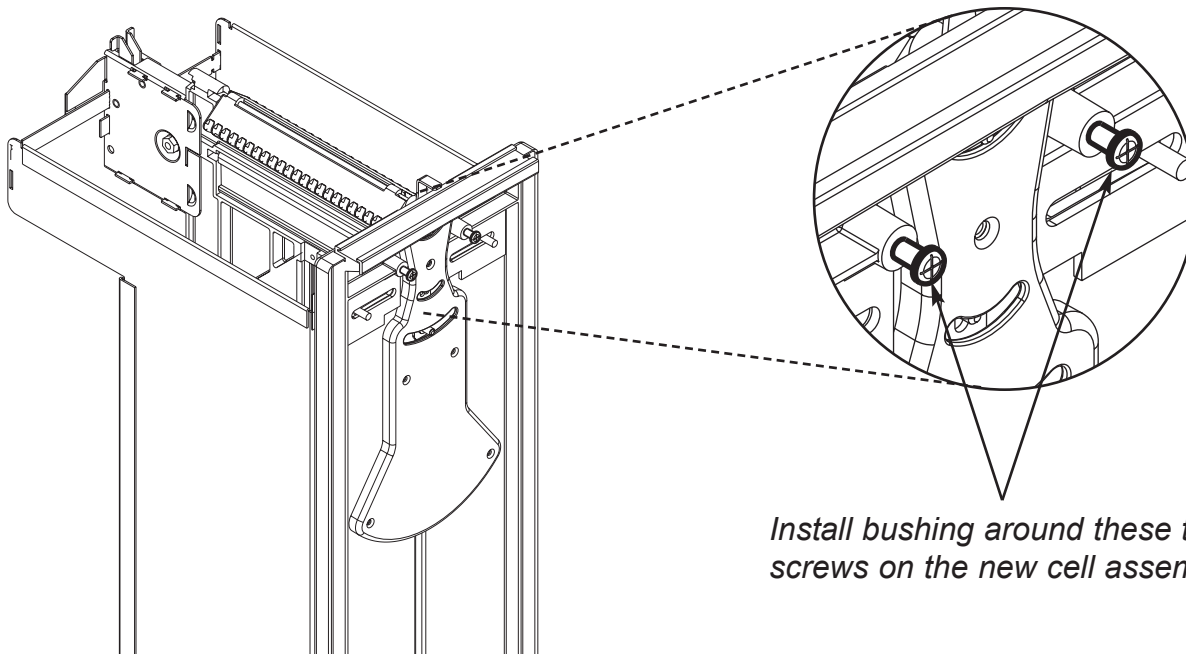
ESTIMATED TIME: 1 minute

REASON FOR HINT: Beginning with serial number 200412MA00005, the cell lockout mechanism was changed in all RVV's. All cell assemblies built thereafter lack a bushing which is required with the older cell lockout mechanism. Not having this bushing installed with the older mechanism could allow the cell to slide forward during transit or other movement, resulting in the glass breaking in the door. This helpful hint explains how to convert the newer cell assemblies for installation with the older cell lockout mechanism.

INSTRUCTIONS:

1. Remove the cell locking screw from the cell assembly that is to be replaced. Then, remove the bushing that is around this screw. *(See illustration below for location of the screw.)*
2. Remove the cell locking screw from the new cell assembly. Affix the bushing to the screw, and reattach the screw to the new cell assembly.

Cell assembly



Install bushing around these two screws on the new cell assembly

ANY QUESTIONS??? CONTACT ROYAL VENDORS' CUSTOMER SERVICE DEPARTMENT
CALL TOLL FREE (800) 931-9214