




SERVICE BULLETIN 314

426 Industrial Boulevard • Kearneysville WV 25430-2776 • USA
 Telephone: +1 304 728 7056 • technicalinquiry@royalvenders.com
 Toll-free in North America: 1 800 931 9214 • Fax: +1 304 725 4016
 Canada: +1 905 738 5777 • Mexico: +52 55 5203 6887
 Europe: +49 2158 95 1000 • Australia: +61 2 9890 5433

Page: 1 of 3
Date: 11 Jan 10
Revision: 00


SUBJECT: DEX Harness Installation for KO Controllers	Number of People Required 
MODELS: GIII / TDV models with KO Controller	

KIT NUMBER	KIT DESCRIPTION
842095	External DEX Harness
842110	Internal DEX Harness with Remote Mode Switch
842148	Internal DEX Harness

TOOLS REQUIRED: 12 mm wrench

ESTIMATED INSTALLATION TIME: 10-15 minutes

REASON FOR BULLETIN: This bulletin explains the procedure for installing an internal or external DEX jack, as well as remote mode button switch, in venders with KO controllers, separate from the jack or mode button on the control board.



The following areas of this vender contain voltage which can cause serious injury or even death: the main power cord, supplying 115-230 VAC to the evaporator, EMI filter, and refrigeration system; the power line from the EMI filter to the ballast and transformer; and the ballast, which can produce upwards of 600 volts. Remove all power from the vender before working in any of these areas.

INSTALLATION INSTRUCTIONS:

INTERNAL DEX JACK

1. Remove power by unplugging the vender's power cord from the AC voltage source (wall outlet).
2. In the top bulkhead of the vender's door, locate the internal DEX jack cutout. (Refer to Figure 1.) Mount the DEX jack in the cutout. Using a 12 mm wrench, secure the DEX jack with the nut supplied with the harness. If using harness 842110, mount the remote mode switch next to the DEX, as shown in Figure 1.
3. Route the DEX harness to the vender's control board, as shown in Figure 2. Secure the harnessing in various locations with wire ties.
4. Plug the internal DEX harness into the vender's control board at position P1, positions 1 - 6. (Refer to Figure 3.)
5. Secure the grounding ring terminal in an appropriate location.
6. Restore power to the vender by plugging the vender's power cord into the AC voltage source (wall outlet).

EXTERNAL DEX JACK

1. Remove power by unplugging the vender's power cord from the AC voltage source (wall outlet).
2. Locate the external DEX jack cutout in the top of the vender's port. (Refer to Figure 4.) Mount the DEX jack in the cutout. Using a 12 mm wrench, secure the DEX jack with the supplied nut.
3. Route the DEX harness to the vender's control board, as shown in Figure 5. Secure the harnessing in various locations with wire ties.
4. Plug the external DEX harness into the vender's control board at position P1, positions 7 - 10. (Refer to Figure 3.)
5. Restore power to the vender by plugging the vender's power cord into the AC voltage source (wall outlet).

In an effort to provide our customers with the latest information on our equipment, Royal Vendors sends service bulletins to customers using the original ship-to address or e-mail addresses, if supplied by our customers. We also post all service bulletins on our website at www.royalvenders.com. If for any reason a vender is moved to another location or is sold to another customer other than to whom Royal Vendors originally sent the machine, it is the responsibility of the original purchaser of the vender to notify the appropriate personnel of the service bulletin.

**ANY QUESTIONS? CONTACT ROYAL VENDORS' CUSTOMER SERVICE DEPARTMENT
 IN NORTH AMERICA, CALL TOLL FREE 1 800 931 9214**



SERVICE BULLETIN 314

426 Industrial Boulevard • Kearneysville WV 25430-2776 • USA
 Telephone: +1 304 728 7056 • technicalinquiry@royalvendors.com
 Toll-free in North America: 1 800 931 9214 • Fax: +1 304 725 4016
 Canada: +1 905 738 5777 • Mexico: +52 55 5203 6887
 Europe: +49 2158 95 1000 • Australia: +61 2 9890 5433

Page: 2 of 3

Date: 11 Jan 10

Revision: 00

SUBJECT: DEX Harness Installation for KO Controllers

MODELS: GIII / TDV models with KO Controller

Figure 1. Internal DEX jack and remote mode switch location.

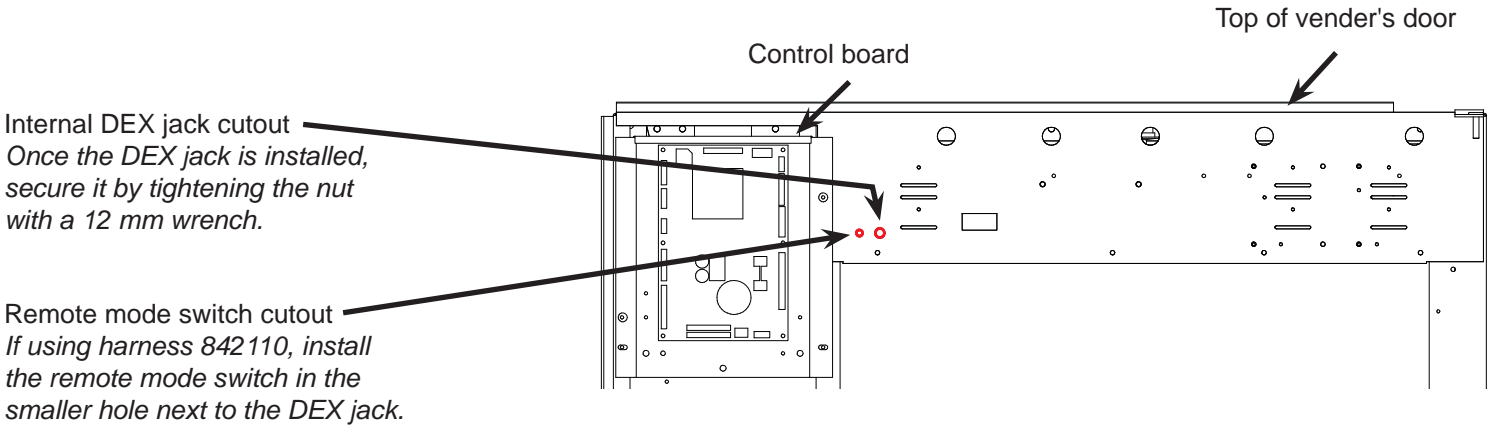


Figure 2. Route the internal DEX jack and remote mode switch harnessing as shown.

Route the harnessing from the internal DEX jack through the hole in the door's chassis below the control board. Once the harness is properly routed, secure it with wire ties in appropriate locations.

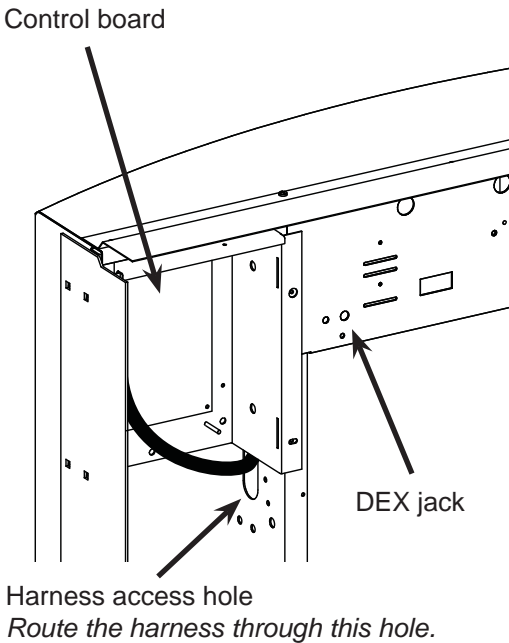
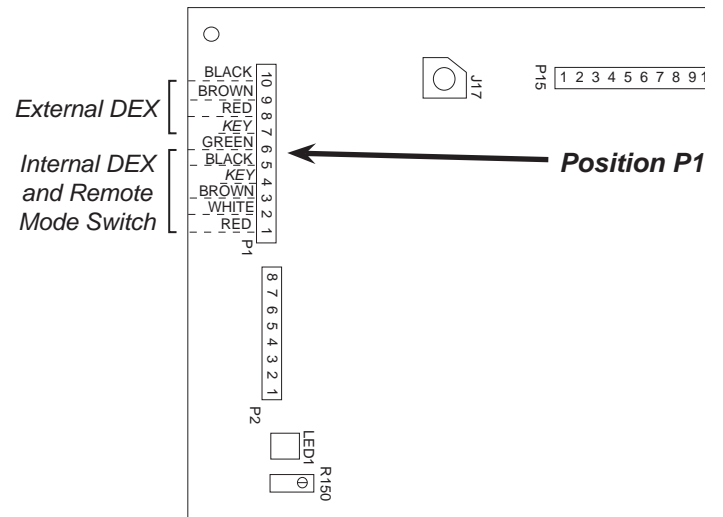


Figure 3. DEX and remote mode switch connections on vender's control board.



Internal DEX pins 1 - 6

1. Red
2. White (842110 only)
3. Brown
4. Keyed position
5. Black
6. Green

External DEX pins 7-10

7. Keyed position
8. Red
9. Brown
10. Black

ANY QUESTIONS? CONTACT ROYAL VENDORS' CUSTOMER SERVICE DEPARTMENT IN NORTH AMERICA, CALL TOLL FREE 1 800 931 9214



SERVICE BULLETIN 314

426 Industrial Boulevard • Kearneysville WV 25430-2776 • USA
Telephone: +1 304 728 7056 • technicalinquiry@royalvenders.com
Toll-free in North America: 1 800 931 9214 • Fax: +1 304 725 4016
Canada: +1 905 738 5777 • Mexico: +52 55 5203 6887
Europe: +49 2158 95 1000 • Australia: +61 2 9890 5433

Page: 3 of 3

Date: 11 Jan 10

Revision: 00

SUBJECT: DEX Harness Installation for KO Controllers

MODELS: GIII / TDV models with KO Controller

Figure 4. External DEX jack location.

Top view of vender's port

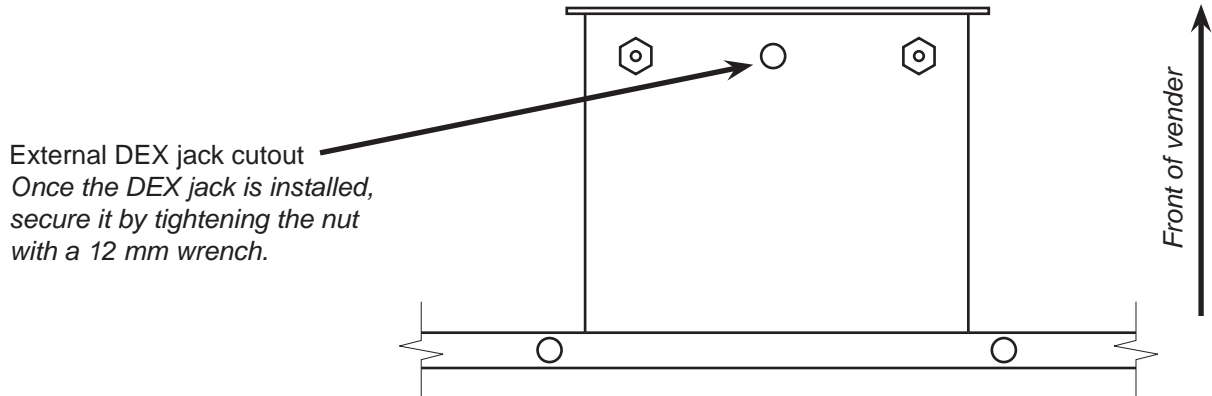
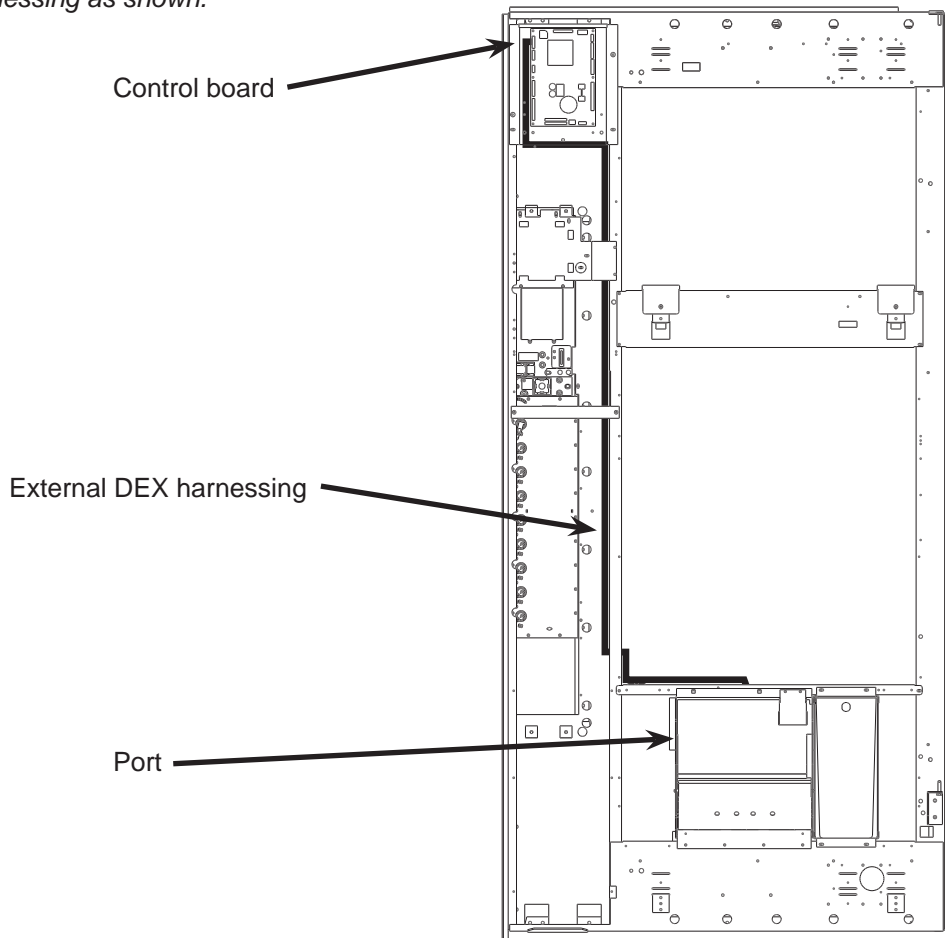


Figure 5. Route the external DEX jack harnessing as shown.

Route the harnessing from the external DEX jack from the port to the left side of the door (as viewed from inside) and through the access hole in the vender's door chassis. Then, route it straight up toward the control board as shown. Once the harness is properly routed, secure it with wire ties in appropriate locations.



**ANY QUESTIONS? CONTACT ROYAL VENDORS' CUSTOMER SERVICE DEPARTMENT
IN NORTH AMERICA, CALL TOLL FREE 1 800 931 9214**