



# SERVICE BULLETIN 312

426 Industrial Boulevard • Kearneysville WV 25430-2776 • USA  
 Telephone: +1 304 728 7056 • technicalinquiry@royalvenders.com  
 Toll-free in North America: 1 800 931 9214 • Fax: +1 304 725 4016  
 Canada: +1 905 738 5777 • Mexico: +52 55 5203 6887  
 Europe: +49 2158 95 1000 • Australia: +61 2 9890 5433

Page: 1 of 2

Date: 9 Nov 09

Revision: 00

**SUBJECT:** Pepsi Fascia Template Kit Instructions

**MODELS:** RVV NG (Pepsi only)

Number of  
People  
Required



KIT NUMBER	KIT DESCRIPTION
356174	Pepsi Fascia Template Kit

**TOOLS REQUIRED:** Drill with 3/8" (10 mm) and 3/4" (19 mm) bits

**ESTIMATED INSTALLATION TIME:** <5 minutes



The following areas of this vender contain voltage which can cause serious injury or even death: the main power cord, supplying 115-230 VAC to the evaporator, EMI filter, and refrigeration system; the power line from the EMI filter to the ballast and transformer; and the ballast, which can produce upwards of 600 volts. Remove all power from the vender before working in any of these areas.

**REASON FOR BULLETIN:** The fascia mounting holes on older RVV NG Pepsi doors (manufactured before Fall 2009) do not align with newer Pepsi fascia. This bulletin explains how to mount the newer fascia on older doors.

## INSTALLATION INSTRUCTIONS:

1. Remove power by unplugging the vender's power cord from the AC voltage source (wall outlet).
2. Align the top and bottom holes on the template with the top and bottom fascia holes on the front of the door. (Refer to Figure 1.)
3. Using a pencil, make a mark on the front of the door, using the middle hole in the template as a guide.
4. Using a 3/8" bit, drill a hole through the front of the door at the pencil mark. Drill completely through the front side and back side of the door.
5. Open the door. Using a 3/4" bit, drill out the inside of the 3/8" hole that was just made. (Refer to Figure 2.) This must be done to install the nut that secures the fascia.
6. Install the fascia.
7. Restore power by plugging the vender's power cord into the AC voltage source (wall outlet).

In an effort to provide our customers with the latest information on our equipment, Royal Vendors sends service bulletins to customers using the original ship-to address or e-mail addresses, if supplied by our customers. We also post all service bulletins on our website at www.royalvenders.com. If for any reason a vender is moved to another location or is sold to another customer other than to whom Royal Vendors originally sent the machine, it is the responsibility of the original purchaser of the vender to notify the appropriate personnel of the service bulletin.

**ANY QUESTIONS? CONTACT ROYAL VENDORS' CUSTOMER SERVICE DEPARTMENT  
 IN NORTH AMERICA, CALL TOLL FREE 1 800 931 9214**



# SERVICE BULLETIN 312

426 Industrial Boulevard • Kearneysville WV 25430-2776 • USA  
Telephone: +1 304 728 7056 • technicalinquiry@royalvendors.com  
Toll-free in North America: 1 800 931 9214 • Fax: +1 304 725 4016  
Canada: +1 905 738 5777 • Mexico: +52 55 5203 6887  
Europe: +49 2158 95 1000 • Australia: +61 2 9890 5433

Page: 2 of 2

Date: 9 Nov 09

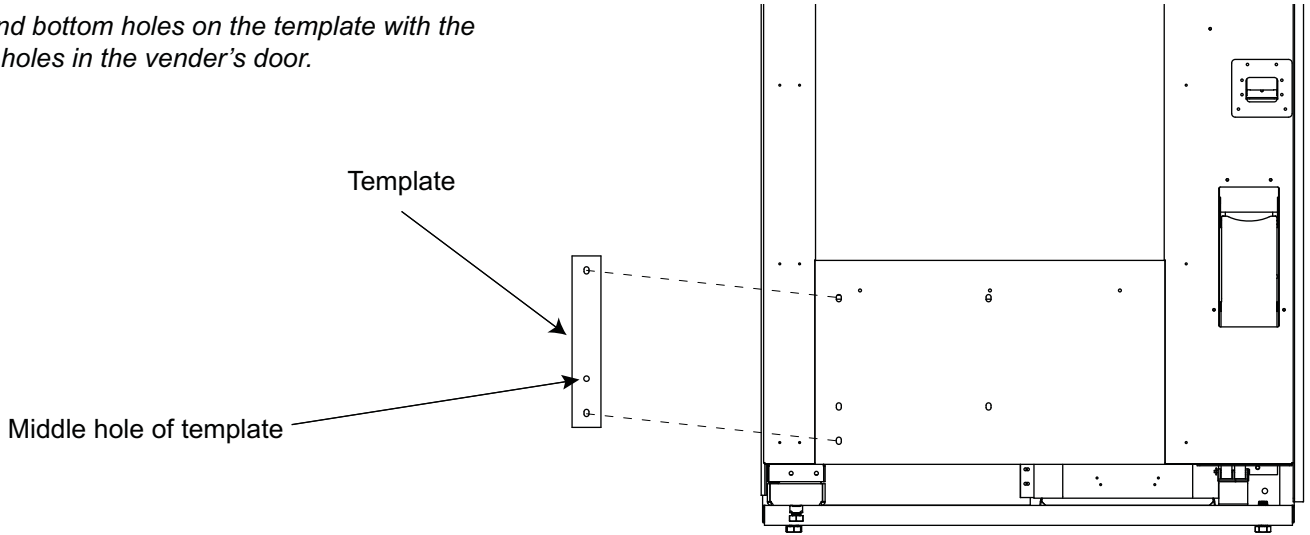
Revision: 00

**SUBJECT:** Pepsi Fascia Template Kit Instructions

**MODELS:** RVV NG (Pepsi only)

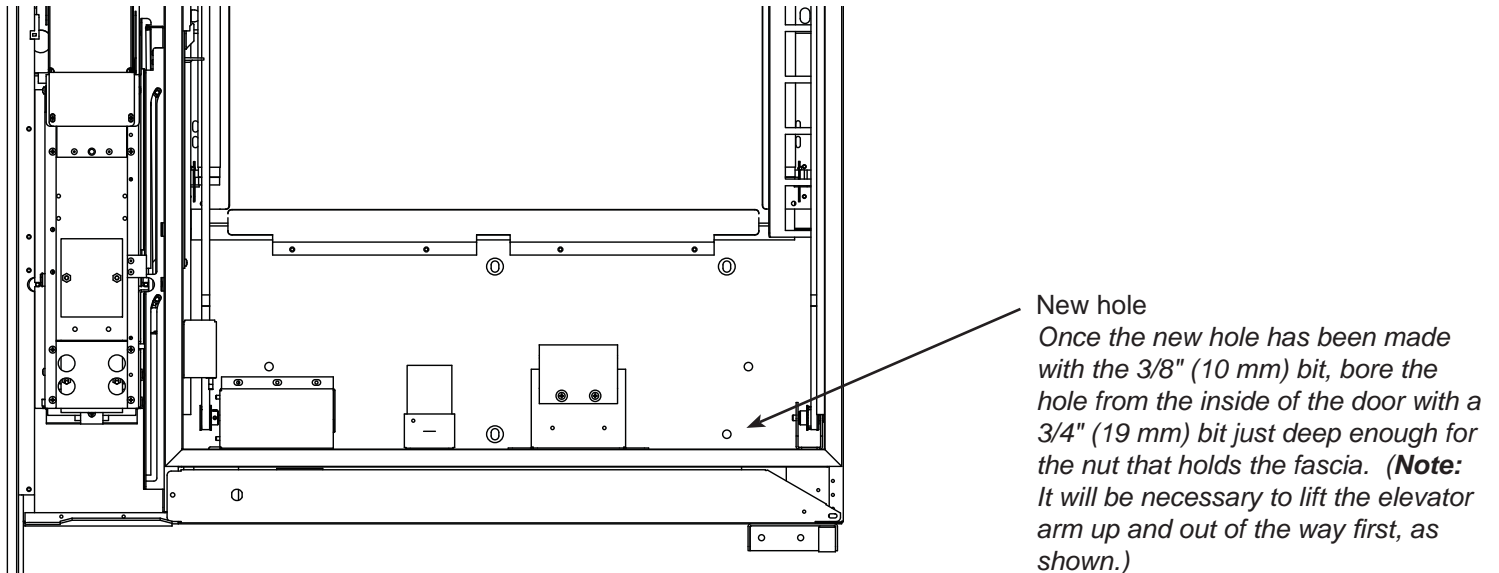
**Figure 1.** Marking holes for new fascia.

Align the top and bottom holes on the template with the corresponding holes in the vender's door.



Once the template is placed, mark the middle hole with a pencil. Remove the template and drill a hole at the pencil mark, using a 3/8" (10 mm) bit.

**Figure 2.** Hole inside door.



**New hole**  
Once the new hole has been made with the 3/8" (10 mm) bit, bore the hole from the inside of the door with a 3/4" (19 mm) bit just deep enough for the nut that holds the fascia. (**Note:** It will be necessary to lift the elevator arm up and out of the way first, as shown.)

**ANY QUESTIONS? CONTACT ROYAL VENDORS' CUSTOMER SERVICE DEPARTMENT  
IN NORTH AMERICA, CALL TOLL FREE 1 800 931 9214**